



Terminals & Splices > Splices



Wire Size: 4 – 2 mm²

Sealable: No

Splice Capacity: 1

Compatible Insulation Diameter Range: 4.5 mm [.18 in]

Features

Housing Features

Housing Material	Polyolefin
------------------	------------

Usage Conditions

Fluid Resistance	Splash Protection
Insulation Option	Fully Insulated
Operating Temperature Range	-55 – 125 °C[-67 – 257 °F]

Packaging Features

Packaging Quantity	100
Packaging Method	Package

Body Features

Product Weight	1 g
Primary Product Color	Blue

Product Type Features

Sealable	No
----------	----

Configuration Features

Splice Capacity	1
Compatible With Wire & Cable Type	Discrete Wire

Mechanical Attachment

Wire Insulation Support	Without
-------------------------	---------



Dimensions

Wire Size	2500 – 7200 CMA
Compatible Insulation Diameter Range	4.5 mm[.18 in]
Product Length	42 mm[1.655 in]

Operation/Application

Compatible With Wire Base Material	Copper
------------------------------------	--------

Industry Standards

Government Qualified Splice	No
-----------------------------	----

Other

EU RoHS Compliance	Not Compliant
EU ELV Compliance	Not Compliant

Product Compliance

[For compliance documentation, visit the product page on TE.com>](#)

EU RoHS Directive 2011/65/EU	Not Compliant
EU ELV Directive 2000/53/EC	Not Compliant
China RoHS 2 Directive MIIT Order No 32, 2016	Restricted Materials Above Threshold
EU REACH Regulation (EC) No. 1907/2006	Current ECHA Candidate List: JUNE 2024 (241) Candidate List Declared Against: JUNE 2024 (241) SVHC > Threshold: Cd (18% in Solder) Pb (32% in Solder) Article Safe Usage Statements: Use personal protective equipment as required. Do not eat, drink or smoke when using this product. Wash thoroughly after handling. Recycle if possible and dispose of the article by following all applicable governmental regulations relevant to your geographic location.
Halogen Content	Low Halogen - Br, Cl, F, I < 900 ppm per homogenous material. Also BFR/CFR/PVC Free
Solder Process Capability	Not applicable for solder process capability

Product Compliance Disclaimer

This information is provided based on reasonable inquiry of our suppliers and represents our current actual knowledge based on the information they provided. This information is subject to change. The part numbers that TE has identified as EU RoHS compliant have a maximum concentration of 0.1% by weight in homogenous materials for lead, hexavalent chromium, mercury, PBB, PBDE, DBP, BBP, DEHP, DIBP, and 0.01% for cadmium, or qualify for an exemption to these limits as defined in the Annexes of Directive 2011/65/EU (RoHS2). Finished electrical and electronic equipment products will be CE marked as required by Directive 2011/65/EU. Components may not be CE marked. Additionally, the part numbers that TE has identified as EU ELV compliant have a maximum concentration of 0.1% by weight in homogenous materials for lead, hexavalent chromium, and mercury, and 0.01% for cadmium, or qualify for an exemption to these limits

as defined in the Annexes of Directive 2000/53/EC (ELV). Regarding the REACH Regulation, the information TE provides on SVHC in articles for this part number is based on the latest European Chemicals Agency (ECHA) 'Guidance on requirements for substances in articles' posted at this URL: <https://echa.europa.eu/guidance-documents/guidance-on-reach>

Compatible Parts



TE Part # EG8162-000
HL1920E-230V-EURO

Customers Also Bought



TE Part #184070-1
TERMINAL,SOLIS R 1/0 10MM



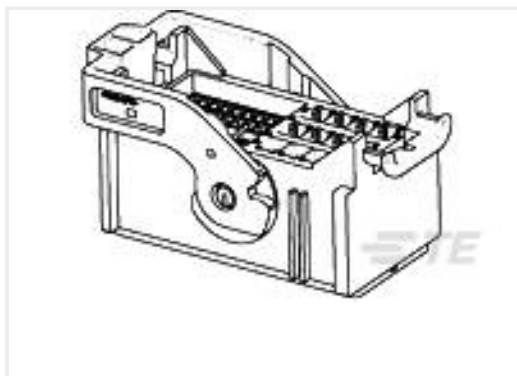
TE Part #T2070104101-002
H10BN-T3-M-HD



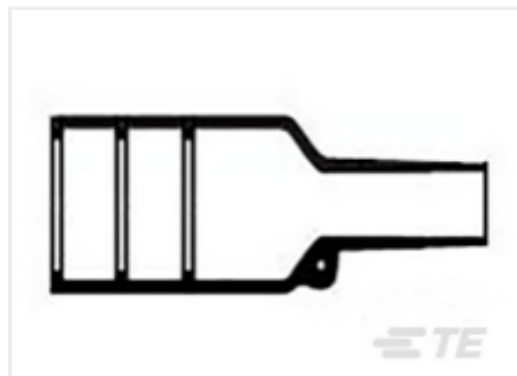
TE Part #E70497-000
CWT-9002-5000



TE Part #DT04-2P-RT26
REC, 2P, BLK, 1.5K OHM RESISTOR, NI



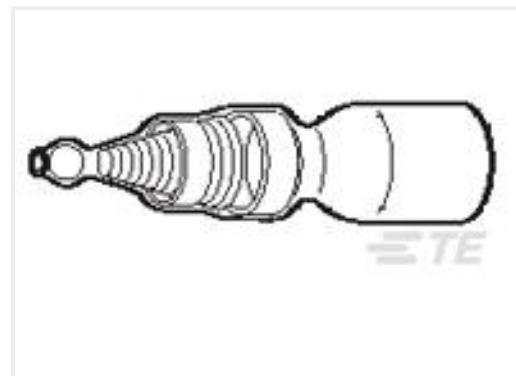
TE Part #776932-1
52 pos plug Assy, 0.64 and 2.8



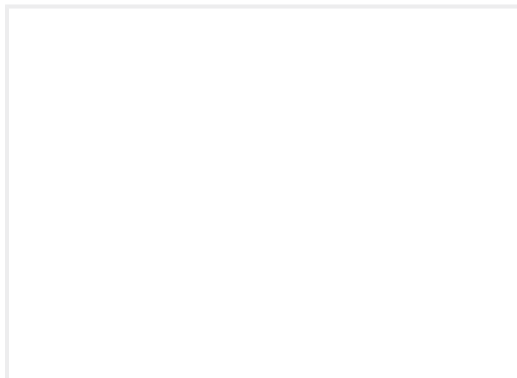
TE Part #EL9398-000
202K142-25-G43-0



TE Part #T2070104201-000
H10BN-T3-F



TE Part #528657-000
SGRS-4



TE Part #CY7350-000
OXSU-F5151-ML-7-17-DE06



TE Part #2101553-2
PLUG,7 POS,CIRCULAR HD,PCB,POL1

Documents

[Product Drawings](#)
[CWT-9003](#)

English



Datasheets & Catalog Pages

[1654025_Sec8_B-155_CWT_D-110_D-1744](#)

English

Product Specifications

[SolderSleeve One-Step Wire and Cable Terminators Installation Procedures for CWT and B-155 Products](#)

English