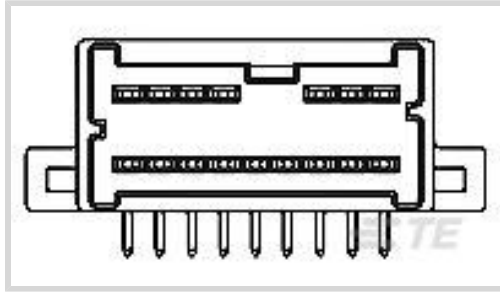




Connectors > PCB Connectors > PCB Headers & Receptacles > Signal Header



PCB Connector Assembly Type: **PCB Mount Header**

PCB Mount Orientation: **Horizontal**

Connector System: **Wire-to-Board**

Number of Positions: **24**

Number of Rows: **2**

[All Signal Header \(246\)](#)

Features

Usage Conditions

Operating Temperature (Max)	80 °C, 105 °C, 90 °C, 100 °C, 65 °C, 85 °C, 75 °C, 70 °C[212 °F]
-----------------------------	--

Electrical Characteristics

Operating Voltage	12 VDC
Voltage Rating (Max)	12 VDC
Nominal Voltage Architecture	12 V

Dimensions

Connector Width	45.8 mm[1.803 in]
PCB Thickness (Recommended)	1.6 mm[.063 in]
Profile Height from PCB	13.4 mm[.528 in]
Connector Length	21.52 mm[.847 in]

Packaging Features

Packaging Quantity	70
Packaging Method	Tray

Operation/Application

Shielded	No
Circuit Application	Signal

Mechanical Attachment

Panel Mount Feature	Without
Mating Retention Type	Locking Interface
Mounting Holes	With
Mating Retention	With
PCB Mount Retention	Without
PCB Mount Alignment	Without
Mating Alignment	With

Contact Features

Contact Size	1mm
Mating Tab Width	1 mm[.039 in]
Mating Tab Thickness	.64 mm[.025 in]
Contact Mating Area Plating Material	Tin
Contact Type	Tab

Configuration Features

Number of Signal Positions	24
Number of Sections	1
PCB Mount Orientation	Horizontal
Number of Positions	24
Number of Rows	2

Product Type Features

Mixed & Hybrid Header	No
Connector Shape	Rectangular
PCB Connector Assembly Type	PCB Mount Header
Connector System	Wire-to-Board
Header Type	Fully Shrouded
Sealable	No
Connector & Contact Terminates To	Printed Circuit Board

Body Features

Primary Product Color	Natural
-----------------------	---------

Termination Features

Termination Method to PCB	Through Hole - Screw
---------------------------	----------------------

Housing Features

Centerline (Pitch)	2.5 mm[.098 in]
--------------------	-----------------

Other

EU RoHS Compliance	Compliant
EU ELV Compliance	Compliant

Product Compliance

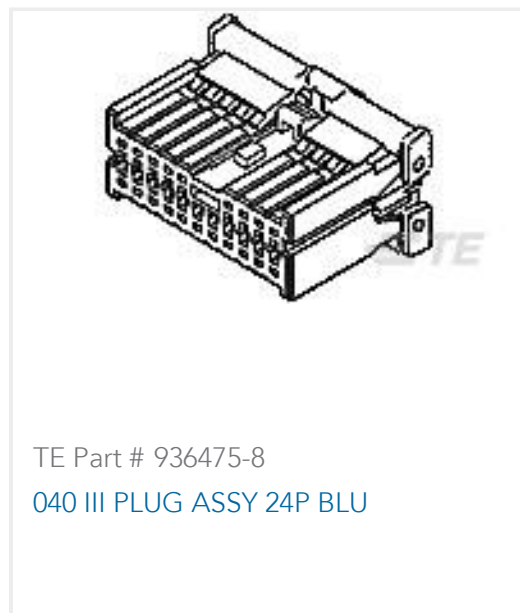
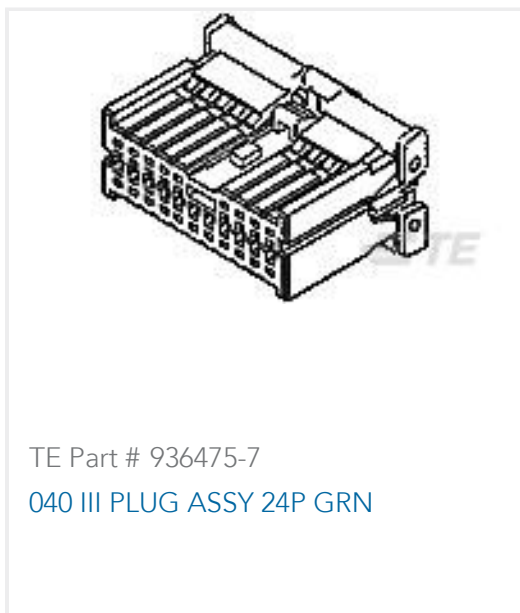
[For compliance documentation, visit the product page on TE.com>](#)

EU RoHS Directive 2011/65/EU	Compliant
EU ELV Directive 2000/53/EC	Compliant
China RoHS 2 Directive MIIT Order No 32, 2016	No Restricted Materials Above Threshold
EU REACH Regulation (EC) No. 1907/2006	Current ECHA Candidate List: JUNE 2024 (241) Candidate List Declared Against: JUNE 2024 (241) Does not contain REACH SVHC
Halogen Content	Low Halogen - Br, Cl, F, I < 900 ppm per homogenous material. Also BFR/CFR/PVC Free
Solder Process Capability	Wave solder capable to 240°C

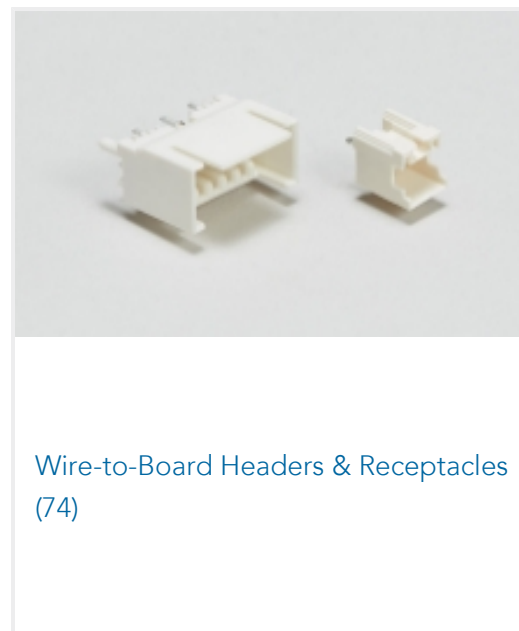
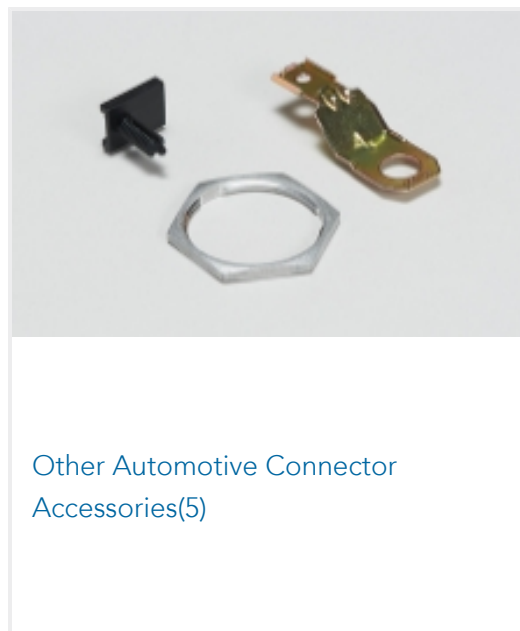
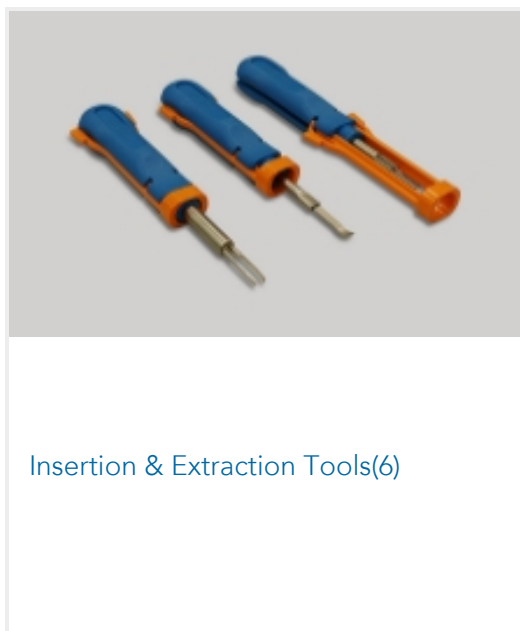
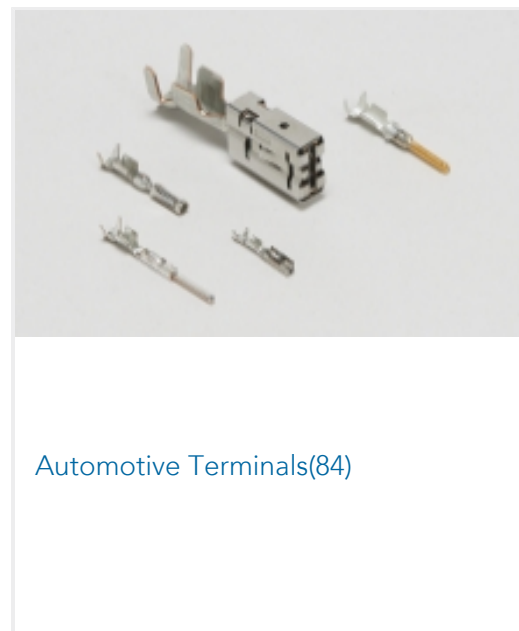
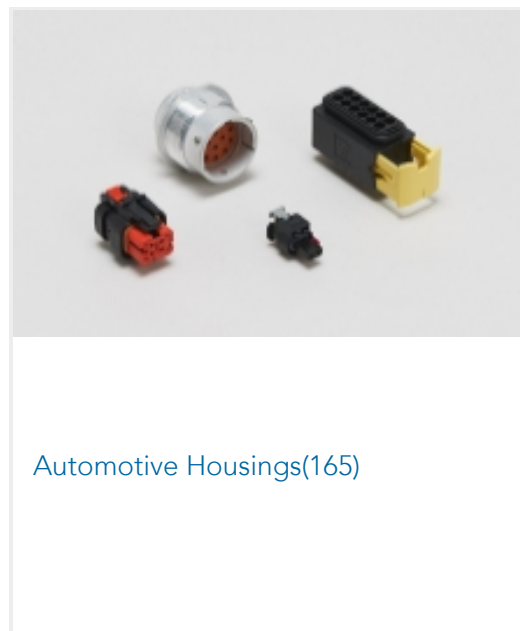
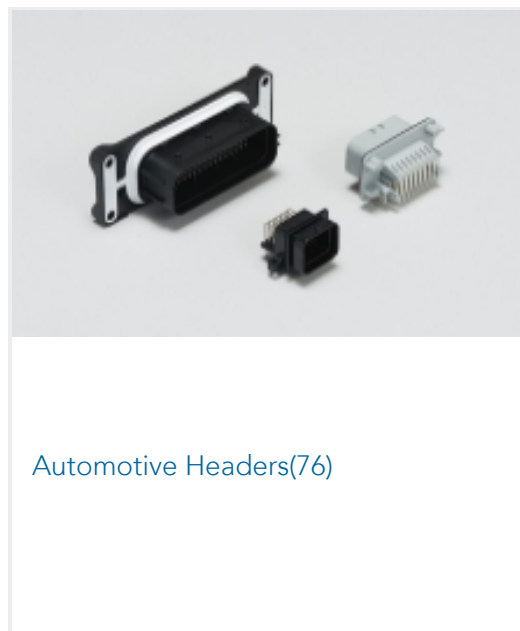
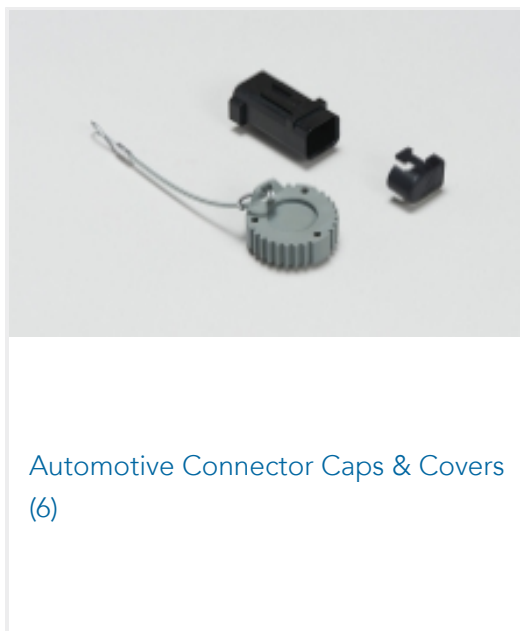
Product Compliance Disclaimer

This information is provided based on reasonable inquiry of our suppliers and represents our current actual knowledge based on the information they provided. This information is subject to change. The part numbers that TE has identified as EU RoHS compliant have a maximum concentration of 0.1% by weight in homogenous materials for lead, hexavalent chromium, mercury, PBB, PBDE, DBP, BBP, DEHP, DIBP, and 0.01% for cadmium, or qualify for an exemption to these limits as defined in the Annexes of Directive 2011/65/EU (RoHS2). Finished electrical and electronic equipment products will be CE marked as required by Directive 2011/65/EU. Components may not be CE marked. Additionally, the part numbers that TE has identified as EU ELV compliant have a maximum concentration of 0.1% by weight in homogenous materials for lead, hexavalent chromium, and mercury, and 0.01% for cadmium, or qualify for an exemption to these limits as defined in the Annexes of Directive 2000/53/EC (ELV). Regarding the REACH Regulation, the information TE provides on SVHC in articles for this part number is based on the latest European Chemicals Agency (ECHA) 'Guidance on requirements for substances in articles' posted at this URL: <https://echa.europa.eu/guidance-documents/guidance-on-reach>

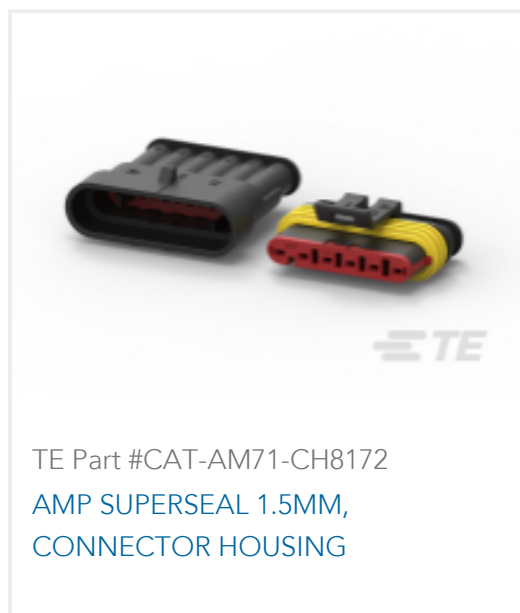
Compatible Parts



Also in the Series | **Multilock Connector System**



Customers Also Bought





Documents

Product Drawings

[040 MLC 24P CAP ASSY W-T-B](#)

English

CAD Files

[3D PDF](#)

English

Customer View Model

[ENG_CVM_1123431-1_B.3d_igs.zip](#)

English

Customer View Model

[ENG_CVM_1123431-1_B.3d_stp.zip](#)

English

Customer View Model

[ENG_CVM_1123431-1_B.2d_dxf.zip](#)

English

By downloading the CAD file I accept and agree to the [Terms and Conditions](#) of use.

Product Specifications

[Product Specification](#)

English

[040III Series Multilock I/O Connector \(MLC\)](#)

English

[040III Series Multilock I/O Connector \(MLC\)](#)

English

[Product Specification](#)

English