

111196-5 ✓ ACTIVE

AMP-LATCH

TE Internal #: 111196-5

Cable-to-Board, 24 Position, 1.27 mm [.05 in] Centerline, 2 Row, Receptacle, Wire & Cable, Signal, Cable Mount (Free-Hanging), Ribbon Cable Connectors

[View on TE.com >](#)



Connectors > PCB Connectors > Wire-to-Board Connectors > FFC, FPC & Ribbon Connectors > Ribbon Cable Connectors



Connector System: **Cable-to-Board**

Number of Positions: **24**

Centerline (Pitch): **1.27 mm [.05 in]**

Row-to-Row Spacing: **2.54 mm [.1 in]**

Number of Rows: **2**

Features

Electrical Characteristics

Operating Voltage	30 VAC
Insulation Resistance	5000 MΩ

Industry Standards

Compatible With Agency/Standards Products	UL, CSA
UL Rating	Recognized
UL Flammability Rating	UL 94V-0
Compatible With Approved Standards Products	UL E28476, CSA LR7189

Body Features

Mating Retention Feature Material	Stainless Steel
Primary Product Color	Black

Termination Features

Termination Post & Tail Diameter	.38 mm[.015 in]
Termination Method to Wire & Cable	Insulation Displacement (IDC)
Square Termination Post & Tail Dimension	.38 mm[.015 in]

Packaging Features

Packaging Quantity	60
Packaging Method	Tray

Contact Features



Contact Underplating Material	Nickel
Mating Pin Diameter	.38 mm[.015 in]
Contact Mating Area Plating Material Thickness	.762 μ m[30 μ in]
Wire Contact Termination Area Plating Material	Tin-Lead
Mating Square Post Dimension	.38 mm[.015 in]
Contact Layout	Matrix
Contact Mating Area Plating Material	Gold
Contact Base Material	Copper Alloy
Wire Contact Termination Area Plating Thickness	2.54 – 5.08 μ m[100 – 200 μ in]
Contact Current Rating (Max)	.5 A

Mechanical Attachment

Panel Mount Feature	Without
Mating Alignment	With
Mating Alignment Type	Polarization
Mating Retention	With
Mating Retention Type	Latch
Connector Mounting Type	Cable Mount (Free-Hanging)

Dimensions

Connector Width	6.45 mm[.254 in]
Connector Height	12.32 mm[.485 in]
Connector Length	21.84 mm[.86 in]
Row-to-Row Spacing	2.54 mm[.1 in]

Housing Features

Housing Material	Thermoplastic
Centerline (Pitch)	1.27 mm[.05 in]

Product Type Features

Connector Product Type	Connector Assembly
Connector System	Cable-to-Board
Connector & Housing Type	Receptacle
Connector & Contact Terminates To	Wire & Cable

Configuration Features

Number of Positions	24
---------------------	----



Number of Rows	2
----------------	---

Usage Conditions

Operating Temperature Range	-65 – 105 °C[-85 – 221 °F]
-----------------------------	----------------------------

Operation/Application

Circuit Application	Signal
---------------------	--------

Other

EU RoHS Compliance	Not Compliant
EU ELV Compliance	Compliant with Exemptions

Product Compliance

[For compliance documentation, visit the product page on TE.com>](#)

EU RoHS Directive 2011/65/EU	Not Compliant
EU ELV Directive 2000/53/EC	Compliant with Exemptions
China RoHS 2 Directive MIIT Order No 32, 2016	Restricted Materials Above Threshold
EU REACH Regulation (EC) No. 1907/2006	Current ECHA Candidate List: JUNE 2024 (241) Candidate List Declared Against: JUNE 2024 (241) SVHC > Threshold: Pb (13% in Component Part) Article Safe Usage Statements: Do not eat, drink or smoke when using this product. Wash thoroughly after handling. Recycle if possible and dispose of the article by following all applicable governmental regulations relevant to your geographic location.
Halogen Content	BFR/CFR/PVC Free, but Br/Cl >900 ppm in other sources.
Solder Process Capability	Not applicable for solder process capability

Product Compliance Disclaimer

This information is provided based on reasonable inquiry of our suppliers and represents our current actual knowledge based on the information they provided. This information is subject to change. The part numbers that TE has identified as EU RoHS compliant have a maximum concentration of 0.1% by weight in homogenous materials for lead, hexavalent chromium, mercury, PBB, PBDE, DBP, BBP, DEHP, DIBP, and 0.01% for cadmium, or qualify for an exemption to these limits as defined in the Annexes of Directive 2011/65/EU (RoHS2). Finished electrical and electronic equipment products will be CE marked as required by Directive 2011/65/EU. Components may not be CE marked. Additionally, the part numbers that TE has identified as EU ELV compliant have a maximum concentration of 0.1% by weight in homogenous materials for lead, hexavalent chromium, and mercury, and 0.01% for cadmium, or qualify for an exemption to these limits as defined in the Annexes of Directive 2000/53/EC (ELV). Regarding the REACH Regulation, the information TE provides on SVHC in articles for this part number is based on the latest European Chemicals Agency (ECHA) 'Guidance on requirements for substances in articles' posted at this URL: <https://echa.europa.eu/guidance-documents/guidance-on-reach>

Compatible Parts




TE Part # 1-104666-0
24 SYSTEM 50 VERT SHRD HDR



TE Part # 1-104068-1
24 SYSTEM 50 HDR DRST SHRD



TE Part # 104549-3
24 SYS50 SURFMNT HDR DRST SHRD



TE Part # 1-104069-2
24 SYSTEM 50 HDR DRRRA SHRD



TE Part # 147377-9
24 SYS50 SMT HDR DR SHD W/O HD

Customers Also Bought



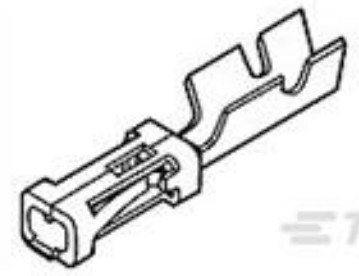
TE Part #54312-1
TERMINAL,PIDG R 26-24 10



TE Part #2-34148-4
PG R 22-16 COMM 22-18 MIL 8



TE Part #650138-000
D-436-0098



TE Part #6-102316-3
MOD IV RECP LP LF




TE Part #7-1879354-5
RR03 5% 390R AMMO




TE Part #650137-000
D-436-0097




TE Part #YDTS20W17-35PAV001
RECP ASSY



TE Part #EP6604-000
S01-02-R-CS4531



TE Part #0528-006-7005
BKSHL, 70P, BLK, PLG, ST, SIDEAB, NW 26



TE Part #EP6617-000
S01-03-R-CS4531

Documents



Product Drawings

024 RCPT SYSTEM 50 30 DPLX

English

CAD Files

3D PDF

3D

Customer View Model

[ENG_CVM_CVM_111196-5_S.2d_dxf.zip](#)

English

Customer View Model

[ENG_CVM_CVM_111196-5_S.3d_igs.zip](#)

English

Customer View Model

[ENG_CVM_CVM_111196-5_S.3d_stp.zip](#)

English

By downloading the CAD file I accept and agree to the [Terms and Conditions](#) of use.

Product Specifications

Application Specification

English

Agency Approvals

Agency Approval Document

English