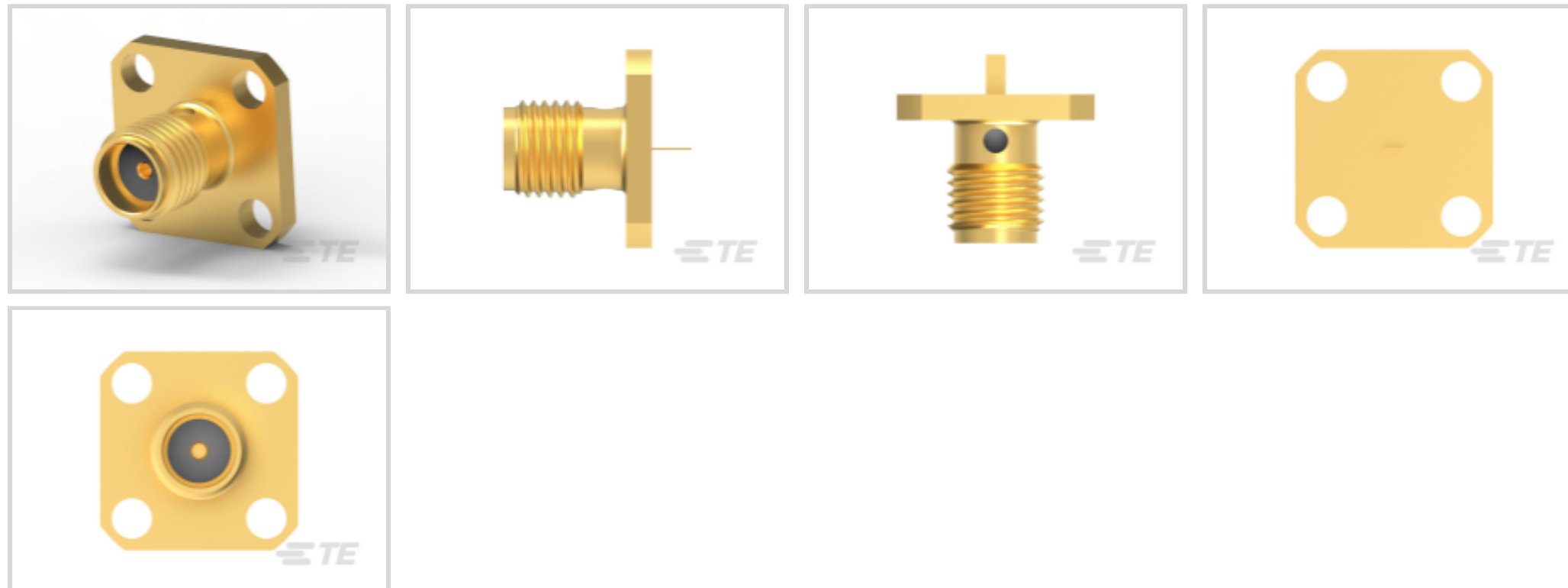




Connectors > RF Connectors > Coax Connectors



RF Interface: **SMA**

RF Connector Style: **Jack**

RF Connector Mated Outer Diameter (Approximate): **6.35 mm [.25 in]**

Impedance: **50 Ω**

RF Connector Coupling Mechanism: **Threaded**

Features

Other

Number of Panel Mounting Holes	4
Dielectric Material	TFE Fluorocarbon
EU RoHS Compliance	Compliant with Exemptions
EU ELV Compliance	Compliant with Exemptions

Contact Features

RF Connector Contact Configuration	Captivated Contacts
RF Connector Center Contact Underplating Material	Copper
RF Connector Center Contact Plating Material	Gold
RF Connector Center Contact Material	Beryllium Copper

Mechanical Attachment

Panel Mount Feature Type	Flange
Panel Attachment Style	Front Mount
RF Connector Coupling Mechanism	Threaded
Connector Mounting Type	Panel Mount
RF Contact Captivation Method	Epoxy

Detent	Without
--------	---------

Dimensions

Product Length	12.1 mm[.476 in]
RF Connector Mated Outer Diameter (Approximate)	6.35 mm[.25 in]

Product Type Features

Connector Product Type	Connector Assembly
RF Interface	SMA
RF Connector Style	Jack
Connector System	Cable-to-Panel
Sealable	No

Electrical Characteristics

Impedance	50 Ω
-----------	-------------

Operation/Application

Operating Frequency	18 GHz
---------------------	--------

Configuration Features

Number of Positions	1
Number of Coaxial Contacts	1

Body Features

Cable Connector Orientation	Straight
Body Material	Stainless Steel
Body Plating Material	Gold

Termination Features

Termination Method to Wire & Cable	Solder
------------------------------------	--------

Packaging Features

Packaging Method	Package
------------------	---------

Product Compliance

[For compliance documentation, visit the product page on TE.com>](#)

EU RoHS Directive 2011/65/EU	Compliant with Exemptions
EU ELV Directive 2000/53/EC	Compliant with Exemptions
China RoHS 2 Directive MIIT Order No 32, 2016	Restricted Materials Above Threshold
EU REACH Regulation (EC) No. 1907/2006	

Current ECHA Candidate List: JUNE 2024
(241)

Candidate List Declared Against: JUL 2021
(219)

SVHC > Threshold:

Pb (.6% in Component Part)

Article Safe Usage Statements:

Do not eat, drink or smoke when using this product. Wash thoroughly after handling. Recycle if possible and dispose of the article by following all applicable governmental regulations relevant to your geographic location.

Halogen Content

Low Bromine/Chlorine - Br and Cl < 900 ppm per homogenous material. Also BFR /CFR/PVC Free

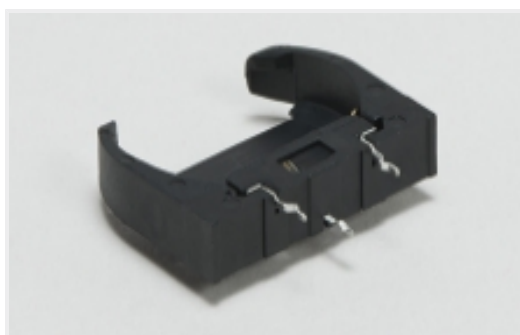
Solder Process Capability

Pin-in-Paste capable to 260°C

Product Compliance Disclaimer

This information is provided based on reasonable inquiry of our suppliers and represents our current actual knowledge based on the information they provided. This information is subject to change. The part numbers that TE has identified as EU RoHS compliant have a maximum concentration of 0.1% by weight in homogenous materials for lead, hexavalent chromium, mercury, PBB, PBDE, DBP, BBP, DEHP, DIBP, and 0.01% for cadmium, or qualify for an exemption to these limits as defined in the Annexes of Directive 2011/65/EU (RoHS2). Finished electrical and electronic equipment products will be CE marked as required by Directive 2011/65/EU. Components may not be CE marked. Additionally, the part numbers that TE has identified as EU ELV compliant have a maximum concentration of 0.1% by weight in homogenous materials for lead, hexavalent chromium, and mercury, and 0.01% for cadmium, or qualify for an exemption to these limits as defined in the Annexes of Directive 2000/53/EC (ELV). Regarding the REACH Regulation, the information TE provides on SVHC in articles for this part number is based on the latest European Chemicals Agency (ECHA) 'Guidance on requirements for substances in articles' posted at this URL: <https://echa.europa.eu/guidance-documents/guidance-on-reach>

Also in the Series | SMA



Battery Holders(1)



Connector Adapters & Connector Savers(8)



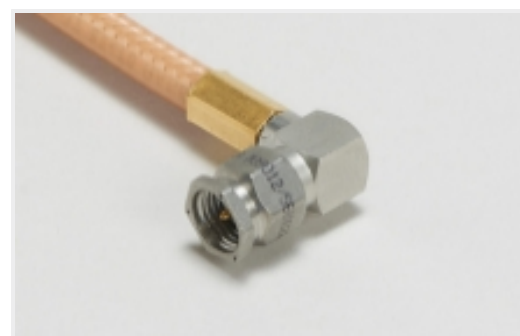
Connector Caps & Covers(3)



Connector Hardware(2)



Connector Strain Relief(1)



RF Cable Assemblies(2)

Customers Also Bought



TE Part #176278-1
UNIV POWER PLUG HSG 12P F/H



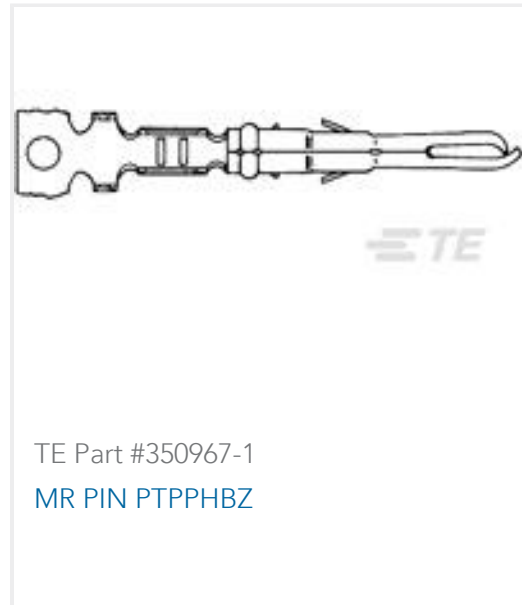
TE Part #1934218-1
Tin Man Recept Assy 5 pair 8 Column



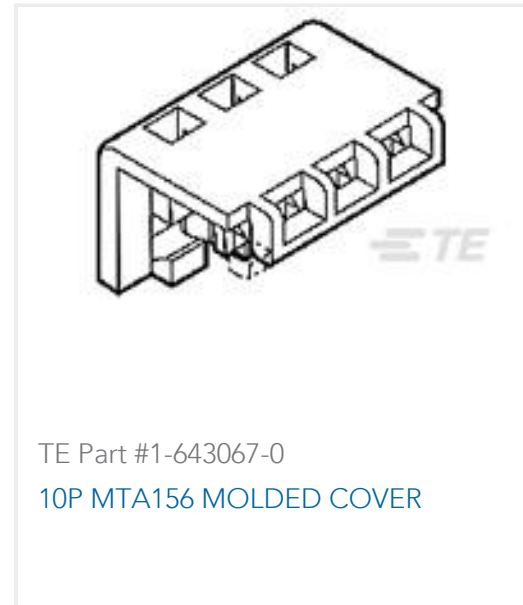
TE Part #4-640426-0
10P MTA156 CONN ASSY 18AWG
ORA



TE Part #5745968-2
25 PLUG SP/FMS STD



TE Part #350967-1
MR PIN PTPPHBZ



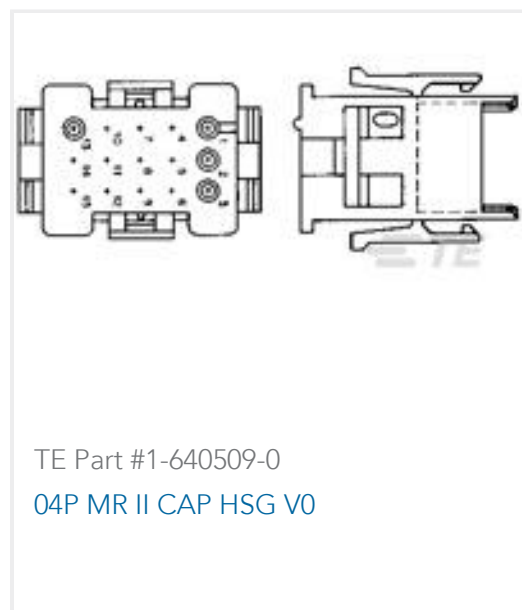
TE Part #1-643067-0
10P MTA156 MOLDED COVER



TE Part #58514-1
PROCRIMP TL W/DIE MR26-18



TE Part #175151-1
AMP UNIVERSAL POWER REC CONT.



TE Part #1-640509-0
04P MR II CAP HSG V0



TE Part #1445336-2
LOOSE PC CONTACT 15 AU PLATED

Documents

Product Drawings

2052 1618 00

English

CAD Files

3D PDF

3D

Customer View Model

[ENG_CVM_CVM_1052565-1_A.2d_dxf.zip](#)

English

Customer View Model

[ENG_CVM_CVM_1052565-1_A.3d_igs.zip](#)

English

Customer View Model

[ENG_CVM_CVM_1052565-1_A.3d_stp.zip](#)

English

By downloading the CAD file I accept and agree to the [Terms and Conditions](#) of use.

Datasheets & Catalog Pages



SMA Connectors

English