

Product Compliance

[For compliance documentation, visit the product page on TE.com>](#)

EU RoHS Directive 2011/65/EU	Not Compliant
EU ELV Directive 2000/53/EC	Compliant with Exemptions
China RoHS 2 Directive MIIT Order No 32, 2016	有害物质含量超出标准 Restricted Substance(s) Above Threshold
EU REACH Regulation (EC) No. 1907/2006	Current ECHA Candidate List: JUNE 2025 (250) Candidate List Declared Against: JUNE 2025 (250) SVHC > Threshold: Pb (13% in 4690948374) Article Safe Usage Statements: Do not eat, drink or smoke when using this product. Wash thoroughly after handling. Recycle if possible and dispose of the article by following all applicable governmental regulations relevant to your geographic location.
Halogen Content	Low Halogen - Br, Cl, F < 900 ppm per homogenous material. Also BFR/CFR/PVC Free
Solder Process Capability	Not applicable for solder process capability

Product Compliance Disclaimer

This information is provided based on reasonable inquiry of our suppliers and represents our current actual knowledge based on the information they provided. This information is subject to change. The part numbers that TE has identified as EU RoHS compliant have a maximum concentration of 0.1% by weight in homogenous materials for lead, hexavalent chromium, mercury, PBB, PBDE, DBP, BBP, DEHP, DIBP, and 0.01% for cadmium, or qualify for an exemption to these limits as defined in the Annexes of Directive 2011/65/EU (RoHS2). Finished electrical and electronic equipment products will be CE marked as required by Directive 2011/65/EU. Components may not be CE marked. Additionally, the part numbers that TE has identified as EU ELV compliant have a maximum concentration of 0.1% by weight in homogenous materials for lead, hexavalent chromium, and mercury, and 0.01% for cadmium, or qualify for an exemption to these limits as defined in the Annexes of Directive 2000/53/EC (ELV). Regarding the REACH Regulation, the information TE provides on SVHC in articles for this part number is based on the latest European Chemicals Agency (ECHA) 'Guidance on requirements for substances in articles' posted at this URL: <https://echa.europa.eu/guidance-documents/guidance-on-reach>

Compatible Parts



KIT

REPRESENTATION ONLY

TE Part # 7-2836129-7
OCEAN_2.0_SPARE_PART_KIT-033F055O



TE Part # 91518-1
CCII AMPMODU SHORT POINT REC 32-22 ASSY



TE Part # 843477-1
TOOL, EXTRACTION RESET



TE Part # 2836129-2
OCEAN_2.0_APPLICATOR-S-033F055O-SSA

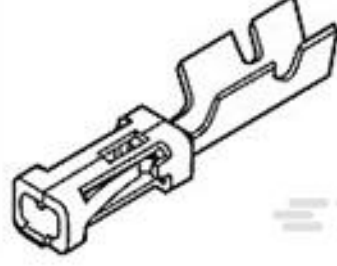
Customers Also Bought



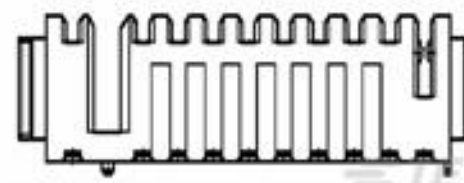
TE Part #53889-1
FLAG RELAY, SPECIAL-RR 14-10



TE Part #66602-1
III+ PIN,18-14,TIN-LEAD,LP



TE Part #86016-1
MOD IV RECP LP



TE Part #1123688-3
2.5 BATTERY REC ASSY 6P



FREE, 2.5




TE Part #50829
TERMINAL,PIDG PTFE, R 26-24 4



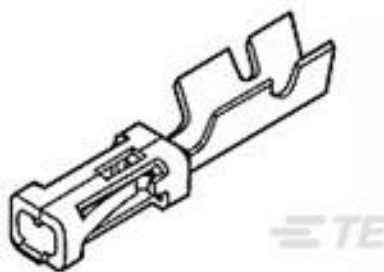
TE Part #50831-1
TERMINAL,PIDG PTFE R 22-20 6



TE Part #50840-1
TERMINAL,PIDG PTFE R 14 10



TE Part #21949-1
PIN,COILED SPRING,MEDIUM



TE Part #1-87756-6
MOD IV RECP LP

Documents

Product Drawings

[SHORT POINT CONT PLTD SN-PB](#)

English

CAD Files

Customer View Model

[ENG_CVM_104481-2_N.2d_dxf.zip](#)

English



3D PDF

English

Customer View Model

[ENG_CVM_104481-2_N.3d_igs.zip](#)

English

Customer View Model

[ENG_CVM_104481-2_N.3d_stp.zip](#)

English

By downloading the CAD file I accept and agree to the [Terms and Conditions](#) of use.

Product Specifications

[Application Specification](#)

English