

100505L ✓ ACTIVE

DEUTSCH

TE Internal #: 100505L

Gold (Au), Socket Contact, 14 – 12 AWG, 2.5 – 4 mm² Wire, Size 12, Crimp

[View on TE.com >](#)



[Connectors >](#) [Contacts >](#) [Connector Contacts](#)



Contact Type: **Socket**

Contact Mating Area Plating Material: **Gold (Au)**

Wire Contact Termination Area Plating Material: **Gold**

Contact Size: **Size 12**

Wire Size: **14 – 12 AWG**

Features

Contact Features

| | |
|--|-----------|
| Contact Type | Socket |
| Contact Mating Area Plating Material | Gold (Au) |
| Wire Contact Termination Area Plating Material | Gold |
| Contact Size | Size 12 |
| Contact Current Rating (Max) | 23 A |

Termination Features

| | |
|------------------------------------|-------|
| Termination Method to Wire & Cable | Crimp |
|------------------------------------|-------|

Dimensions

| | |
|-----------|-------------------------|
| Wire Size | 2.5 – 4 mm ² |
|-----------|-------------------------|

Product Compliance

[For compliance documentation, visit the product page on TE.com>](#)

| | |
|---|--|
| EU RoHS Directive 2011/65/EU | Compliant with Exemptions |
| EU ELV Directive 2000/53/EC | Compliant with Exemptions |
| China RoHS 2 Directive MIIT Order No 32, 2016 | 有害物质含量超出标准 Restricted Substance(s) Above Threshold |
| EU REACH Regulation (EC) No. 1907/2006 | Current ECHA Candidate List: JUNE 2025 (250) |



Candidate List Declared Against: JUNE 2025 (250)
 SVHC > Threshold:
 Pb (1.2% in component)
 cis-cyclohexane-1,2-dicarboxylic anhydride (5%)

Article Safe Usage Statements:
 Do not eat, drink or smoke when using this product. Wash thoroughly after handling. Recycle if possible and dispose of the article by following all applicable governmental regulations relevant to your geographic location.

Halogen Content
 Low Halogen - Br, Cl, F < 900 ppm per homogenous material. Also BFR/CFR/PVC Free

Solder Process Capability
 Not reviewed for solder process capability

Product Compliance Disclaimer

This information is provided based on reasonable inquiry of our suppliers and represents our current actual knowledge based on the information they provided. This information is subject to change. The part numbers that TE has identified as EU RoHS compliant have a maximum concentration of 0.1% by weight in homogenous materials for lead, hexavalent chromium, mercury, PBB, PBDE, DBP, BBP, DEHP, DIBP, and 0.01% for cadmium, or qualify for an exemption to these limits as defined in the Annexes of Directive 2011/65/EU (RoHS2). Finished electrical and electronic equipment products will be CE marked as required by Directive 2011/65/EU. Components may not be CE marked. Additionally, the part numbers that TE has identified as EU ELV compliant have a maximum concentration of 0.1% by weight in homogenous materials for lead, hexavalent chromium, and mercury, and 0.01% for cadmium, or qualify for an exemption to these limits as defined in the Annexes of Directive 2000/53/EC (ELV). Regarding the REACH Regulation, the information TE provides on SVHC in articles for this part number is based on the latest European Chemicals Agency (ECHA) 'Guidance on requirements for substances in articles' posted at this URL: <https://echa.europa.eu/guidance-documents/guidance-on-reach>

Compatible Parts



TE Part # 0641-3-1231L
 CONT PIN

Customers Also Bought



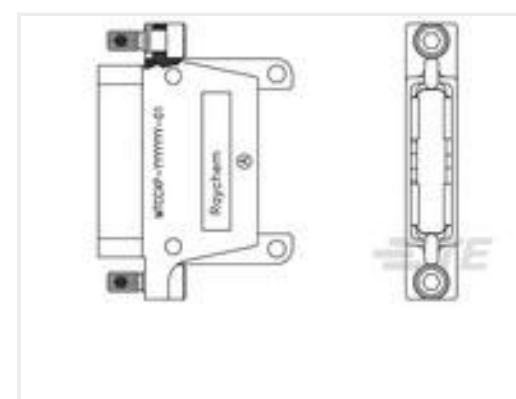
TE Part #0641-1-2031L
 CONT PIN



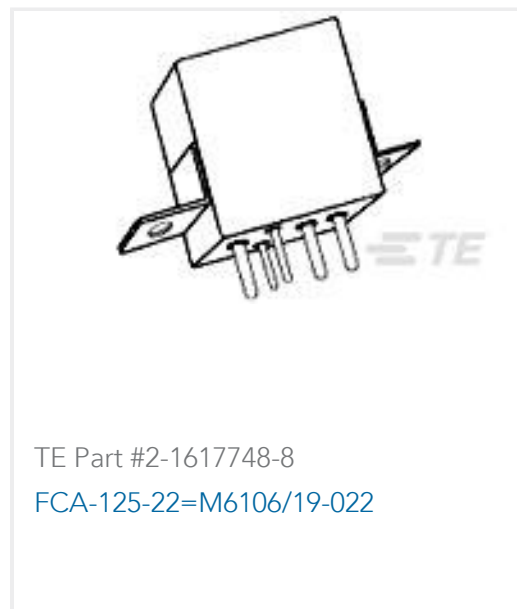
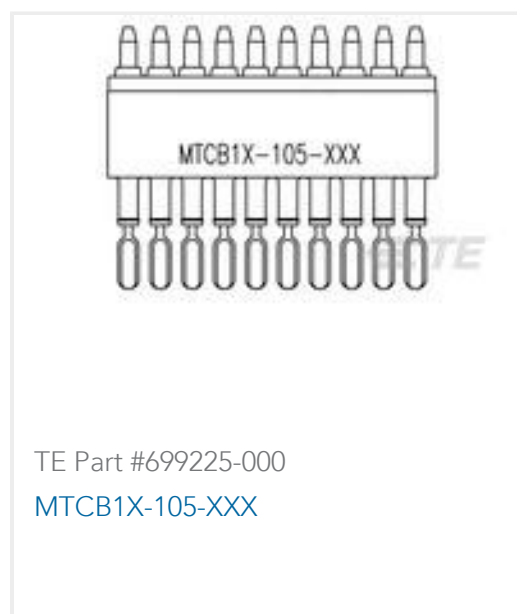
TE Part #CTJ-3D-12
 RAIL ASSY



TE Part #81541-20
 CONT PIN



TE Part #364283-000
 MTCC1P-010-010-01



Documents

Product Drawings

CONT SOC ASSY

English

CAD Files

3D PDF

3D

Customer View Model

[ENG_CVM_CVM_100505L_99.2d_dxf.zip](#)

English

Customer View Model

[ENG_CVM_CVM_100505L_99.3d_igs.zip](#)

English

Customer View Model

[ENG_CVM_CVM_100505L_99.3d_stp.zip](#)

English

By downloading the CAD file I accept and agree to the [Terms and Conditions](#) of use.