



Product Compliance

[For compliance documentation, visit the product page on TE.com>](#)

EU RoHS Directive 2011/65/EU	Compliant
EU ELV Directive 2000/53/EC	Compliant
China RoHS 2 Directive MIIT Order No 32, 2016	No Restricted Materials Above Threshold
EU REACH Regulation (EC) No. 1907/2006	Current ECHA Candidate List: JUNE 2024 (241) Candidate List Declared Against: JUNE 2024 (241) Does not contain REACH SVHC
Halogen Content	Low Halogen - Br, Cl, F, I < 900 ppm per homogenous material. Also BFR/CFR/PVC Free
Solder Process Capability	Not applicable for solder process capability

Product Compliance Disclaimer

This information is provided based on reasonable inquiry of our suppliers and represents our current actual knowledge based on the information they provided. This information is subject to change. The part numbers that TE has identified as EU RoHS compliant have a maximum concentration of 0.1% by weight in homogenous materials for lead, hexavalent chromium, mercury, PBB, PBDE, DBP, BBP, DEHP, DIBP, and 0.01% for cadmium, or qualify for an exemption to these limits as defined in the Annexes of Directive 2011/65/EU (RoHS2). Finished electrical and electronic equipment products will be CE marked as required by Directive 2011/65/EU. Components may not be CE marked. Additionally, the part numbers that TE has identified as EU ELV compliant have a maximum concentration of 0.1% by weight in homogenous materials for lead, hexavalent chromium, and mercury, and 0.01% for cadmium, or qualify for an exemption to these limits as defined in the Annexes of Directive 2000/53/EC (ELV). Regarding the REACH Regulation, the information TE provides on SVHC in articles for this part number is based on the latest European Chemicals Agency (ECHA) 'Guidance on requirements for substances in articles' posted at this URL: <https://echa.europa.eu/guidance-documents/guidance-on-reach>

Compatible Parts



TE Part # 200893-2
INSERTION TOOL CONT



TE Part # 91521-1
CCII TYPE III+ PIN SKT 18-14 ASSY

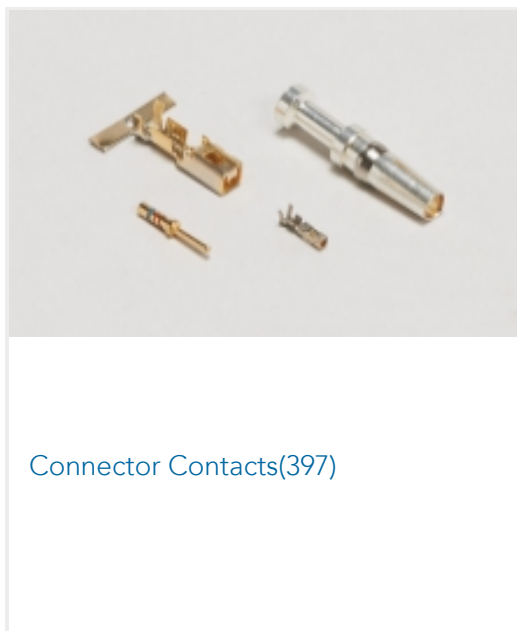


TE Part # 539972-1
EXTRACTION TOOL

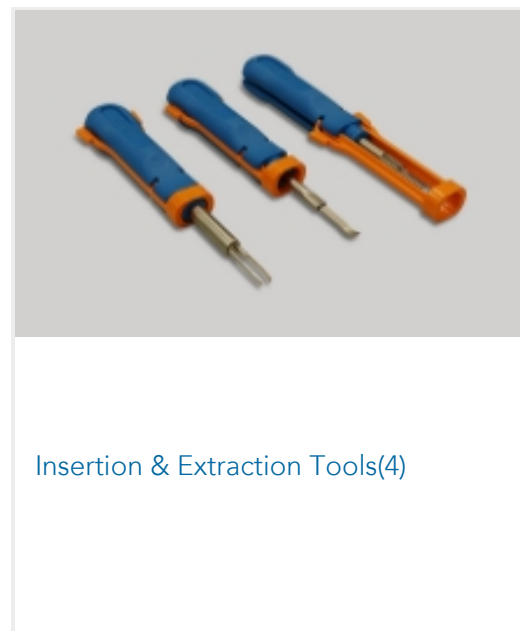


TE Part # 305183
EXTRACT TOOL TYPE 2 20-16

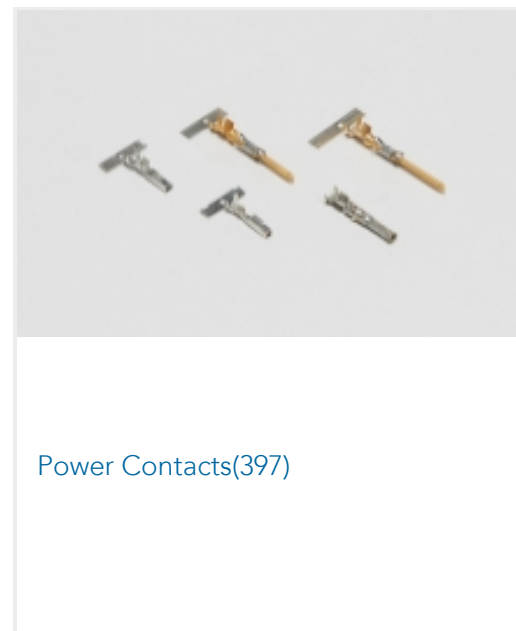
Also in the Series | AMP Type III+



Connector Contacts(397)



Insertion & Extraction Tools(4)



Power Contacts(397)

Customers Also Bought



TE Part #1-66105-8
III+ SKT,24-20,30AU/FL,SMPACK



TE Part #1-66359-4
III+ PIN,18-14,TIN,STRIP



TE Part #206044-1
CPC PLUG ASSEMBLY SIZE 17-14



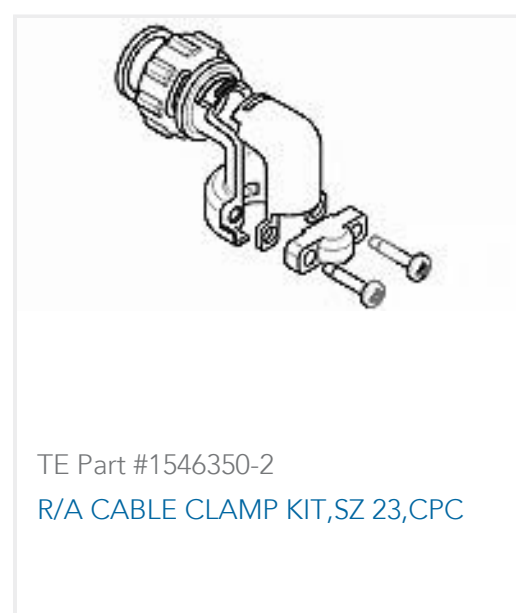
TE Part #1-2823450-3
M12 A-F-5, CAT 5 RADOX 8.3MM, H&S



TE Part #1757823-3
AMPLIMITE,ASY,PLUG,STD,90,ZN,3



TE Part #2176217-4
CPF A 0805 15R 0.1% 25PPM 1K RL



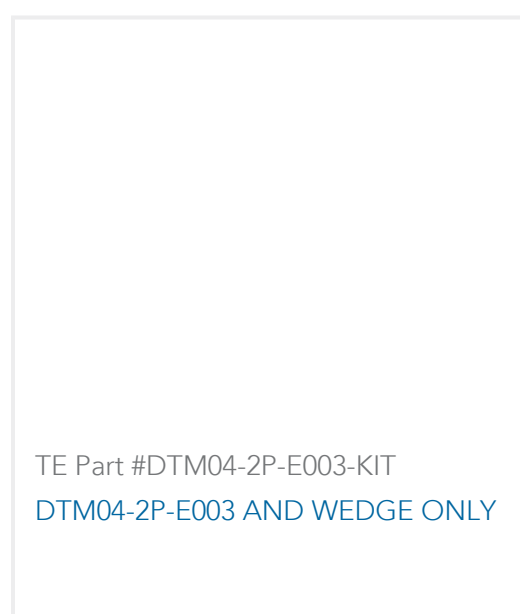
TE Part #1546350-2
R/A CABLE CLAMP KIT, SZ 23, CPC



TE Part #1-66103-7
III+ PIN,24-20, 30AU/SN,SMPACK



TE Part #66602-7
III+ PIN,18-14,30AU/FL,SMPACK



TE Part #DTM04-2P-E003-KIT
DTM04-2P-E003 AND WEDGE ONLY



Documents

Product Drawings

[III+ PIN,18-14,TIN,LP,S/P](#)

English

CAD Files

Customer View Model

[ENG_CVM_CVM_1-66602-1_S.2d_dxf.zip](#)

English

3D PDF

3D

Customer View Model

[ENG_CVM_CVM_1-66602-1_S.3d_igs.zip](#)

English

Customer View Model

[ENG_CVM_CVM_1-66602-1_S.3d_stp.zip](#)

English

By downloading the CAD file I accept and agree to the [Terms and Conditions](#) of use.

Product Specifications

[Product Specification](#)

English