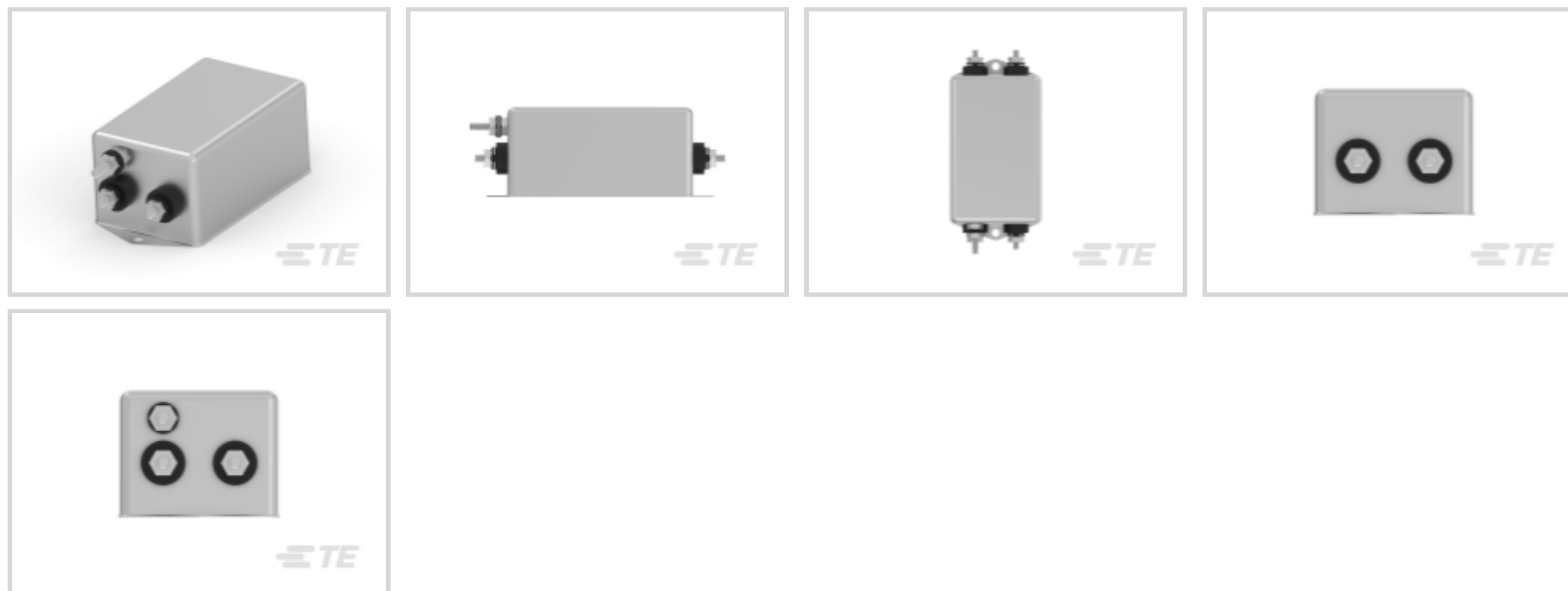




EMI & EMC Solutions > EMI Filters > Power Line Filters > Single Phase Filters > Single Phase Filters, Corcom SK Series



Current Rating: **20 A**

Input Termination Type: **Stud**

Output Termination Type: **Stud**

Leakage Current (Max) (120VAC, 60Hz): **.75 mA**

Leakage Current (Max) (250VAC, 50Hz): **1.25 mA**

[All Single Phase Filters, Corcom SK Series \(27\)](#)

Features

Mechanical Attachment

Panel Mount Feature Type	Flange
--------------------------	--------

Usage Conditions

Operating Temperature Range	-10 – 40 °C
-----------------------------	-------------

Product Type Features

Filtering Requirements	Filtered
Ground Choke Option	No
Input Termination Type	Stud
Output Termination Type	Stud

Electrical Characteristics

Current Rating	20 A
Leakage Current (Max) (120VAC, 60Hz)	.75 mA
Leakage Current (Max) (250VAC, 50Hz)	1.25 mA
Operating Voltage	250 VAC

Other

EU RoHS Compliance	Compliant
EU ELV Compliance	Compliant

Product Compliance

[For compliance documentation, visit the product page on TE.com>](#)

EU RoHS Directive 2011/65/EU	Compliant
EU ELV Directive 2000/53/EC	Compliant
China RoHS 2 Directive MIIT Order No 32, 2016	No Restricted Materials Above Threshold
EU REACH Regulation (EC) No. 1907/2006	Current ECHA Candidate List: JUNE 2024 (241) Candidate List Declared Against: JUNE 2024 (241) Does not contain REACH SVHC
Halogen Content	Not Low Halogen - contains Br or Cl > 900 ppm.
Solder Process Capability	Not applicable for solder process capability

Product Compliance Disclaimer

This information is provided based on reasonable inquiry of our suppliers and represents our current actual knowledge based on the information they provided. This information is subject to change. The part numbers that TE has identified as EU RoHS compliant have a maximum concentration of 0.1% by weight in homogenous materials for lead, hexavalent chromium, mercury, PBB, PBDE, DBP, BBP, DEHP, DIBP, and 0.01% for cadmium, or qualify for an exemption to these limits as defined in the Annexes of Directive 2011/65/EU (RoHS2). Finished electrical and electronic equipment products will be CE marked as required by Directive 2011/65/EU. Components may not be CE marked. Additionally, the part numbers that TE has identified as EU ELV compliant have a maximum concentration of 0.1% by weight in homogenous materials for lead, hexavalent chromium, and mercury, and 0.01% for cadmium, or qualify for an exemption to these limits as defined in the Annexes of Directive 2000/53/EC (ELV). Regarding the REACH Regulation, the information TE provides on SVHC in articles for this part number is based on the latest European Chemicals Agency (ECHA) 'Guidance on requirements for substances in articles' posted at this URL: <https://echa.europa.eu/guidance-documents/guidance-on-reach>

Compatible Parts



Also in the Series | Corcom SK



Single Phase Filters(27)

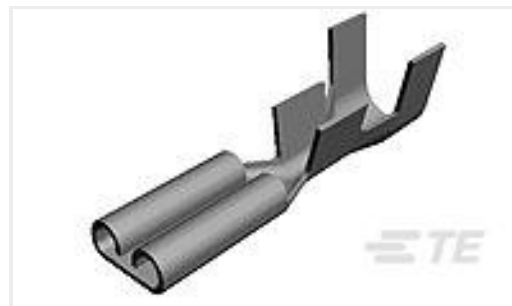
Customers Also Bought



TE Part #2-1393143-1
27E193=SOCKET,R10,11,PC,PHEN



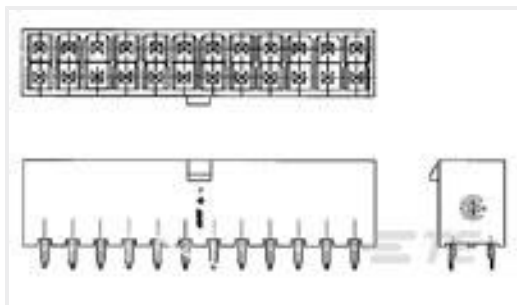
TE Part #1-6609032-4
10VR3=F7207 S0



TE Part #60635-1
250 FASTON REC 14-10 AWG TPBR



TE Part #1-2364686-6
AVH22 FLT SS LK RNG GRN 24V16A



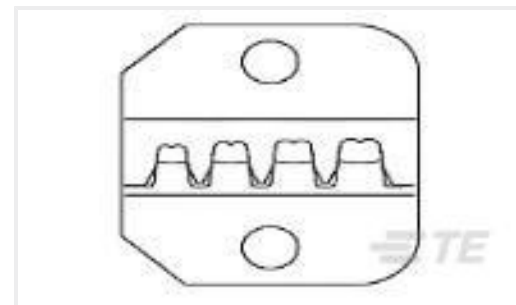
TE Part #2-1586038-4
24P VRT HDR VAL-U-LOK V0



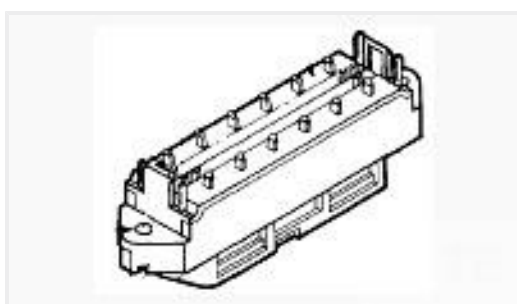
TE Part #52936-3
TERMINAL,PIDG SPR SPD 16-14 8



TE Part #C91365-000
B-155-1502



TE Part #1976357-1
SDE DIE SET, 24/22 RAYCHEM



TE Part #553599-1
RCPT ASSY,24 POSN,SCR LK,L PF



TE Part #1-6609006-2
6EJS1=F8029

Documents

Product Drawings

[20VSK6=F7586 S0](#)

English

CAD Files

Customer View Model

[ENG_CVM_CVM_1-6609036-3_B1.3d_igs.zip](#)

English

Customer View Model



[ENG_CVM_CVM_1-6609036-3_B1.3d_stp.zip](#)

English

Customer View Model

[ENG_CVM_CVM_1-6609036-3_B1.2d_dxf.zip](#)

English

3D PDF

3D

By downloading the CAD file I accept and agree to the [Terms and Conditions](#) of use.

Datasheets & Catalog Pages

[1654001_CORCOM_PRODUCT_GUIDE_SK_SERIES](#)

English

Corcom Combined Selector Charts

English

[1-1654250-1_CORCOM_EMI_RFI_QRG](#)

English