



Connectors > Connector Accessories > Connector Caps & Covers > Nylon PCB Connector Covers: 2.54mm, MTA 100



Connector Cover Type: **Strain Relief Cover**

Primary Product Color: **White**

Primary Product Material: **Nylon**

Number of Positions: **16**

Operating Temperature (Max): **85 °C [185 °F]**

[All Nylon PCB Connector Covers: 2.54mm, MTA 100 \(40\)](#)

Features

Industry Standards

UL Flammability Rating	UL 94V-2
------------------------	----------

Mechanical Attachment

Strain Relief	With
---------------	------

Housing Features

Centerline (Pitch)	2.54 mm [.1 in]
--------------------	-----------------

Usage Conditions

Compatible With IDC Installation Type Connector	Closed End
Operating Temperature (Max)	85 °C [185 °F]
Operating Temperature Range	-40 – 85 °C [-40 – 185 °F]

Product Type Features

Product Profile	Standard
Connector Cover Type	Strain Relief Cover

Body Features



Primary Product Color	White
-----------------------	-------

Primary Product Material	Nylon
--------------------------	-------

Configuration Features

Number of Positions	16
---------------------	----

Other

EU RoHS Compliance	Compliant
--------------------	-----------

EU ELV Compliance	Compliant
-------------------	-----------

Product Compliance

[For compliance documentation, visit the product page on TE.com>](#)

EU RoHS Directive 2011/65/EU	Compliant
------------------------------	-----------

EU ELV Directive 2000/53/EC	Compliant
-----------------------------	-----------

China RoHS 2 Directive MIIT Order No 32, 2016	No Restricted Materials Above Threshold
---	---

EU REACH Regulation (EC) No. 1907/2006	Current ECHA Candidate List: JUNE 2024 (241) Candidate List Declared Against: JUNE 2024 (241) Does not contain REACH SVHC
--	---

Halogen Content	Low Halogen - Br, Cl, F, I < 900 ppm per homogenous material. Also BFR/CFR/PVC Free
-----------------	---

Solder Process Capability	Not applicable for solder process capability
---------------------------	--

Product Compliance Disclaimer

This information is provided based on reasonable inquiry of our suppliers and represents our current actual knowledge based on the information they provided. This information is subject to change. The part numbers that TE has identified as EU RoHS compliant have a maximum concentration of 0.1% by weight in homogenous materials for lead, hexavalent chromium, mercury, PBB, PBDE, DBP, BBP, DEHP, DIBP, and 0.01% for cadmium, or qualify for an exemption to these limits as defined in the Annexes of Directive 2011/65/EU (RoHS2). Finished electrical and electronic equipment products will be CE marked as required by Directive 2011/65/EU. Components may not be CE marked. Additionally, the part numbers that TE has identified as EU ELV compliant have a maximum concentration of 0.1% by weight in homogenous materials for lead, hexavalent chromium, and mercury, and 0.01% for cadmium, or qualify for an exemption to these limits as defined in the Annexes of Directive 2000/53/EC (ELV). Regarding the REACH Regulation, the information TE provides on SVHC in articles for this part number is based on the latest European Chemicals Agency (ECHA) 'Guidance on requirements for substances in articles' posted at this URL: <https://echa.europa.eu/guidance-documents/guidance-on-reach>

Compatible Parts



TE Part # CAT-104MTA-PRUSH
PCB Header: Polyester, Right Angle, Unshrouded



TE Part # CAT-104MTA-NTPNR
MTA Receptacle: Nylon, Tin Plated, 2.54 mm



TE Part # 4-644456-6
16P MTA100 HDR ASSY (NARROW)



TE Part # 4-644042-6
16P MTA100 CONN ASSY LF



TE Part # CAT-104MTA-NYLCC
Nylon PCB Connector Covers: 2.54 mm, MTA 100



TE Part # 1-640455-6
16P MTA100 HDR ASSY SQ R/A POL



TE Part # CAT-104MTA-NTPMR
Nylon Tin Plated Receptacle: 2.54 mm, with Mating Alignment, MTA 100



TE Part # 1-1375820-6
CST-100 II HOUSING 16 POS



TE Part # 1-640454-6
16P MTA100 HDR ASSY SQ STR POL



TE Part # CAT-104MTA-NGPNR
Nylon Gold Plated Receptacle: 2.54 mm, no Mating Alignment




TE Part # CAT-104MTA-PVUNH
PCB Header: Polyester, Vertical, Unshrouded, No Mating Alignment

Also in the Series | **MTA 100**




Connector Caps & Covers(69)



Connector Contacts(8)



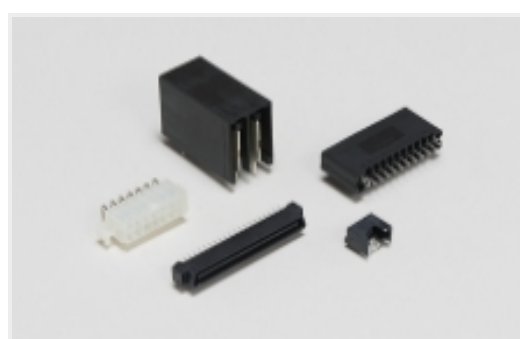
Connector Hardware(1)




Insertion & Extraction Tools(2)



PCB Headers & Receptacles(441)



Standard Rectangular Connectors(495)



Wire-to-Board Connector Assemblies & Housings(1)



Wire-to-Board Headers & Receptacles (441)

Customers Also Bought



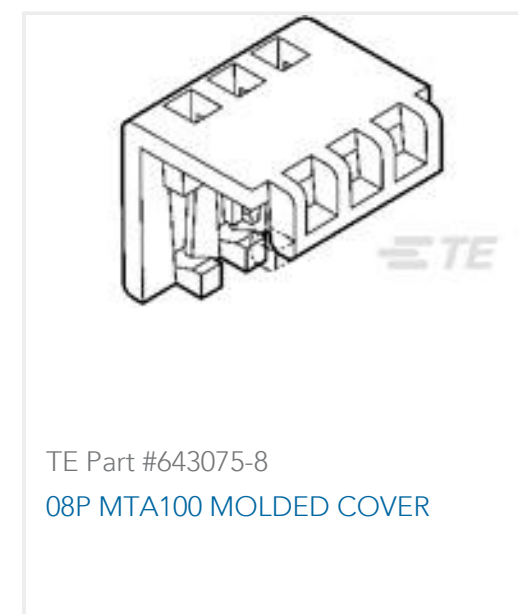
TE Part #207544-7
METRIMATE PIN HEADER ASSY, 16P



TE Part #225686-E
POWELM BUCHSE VOLLM M10 11
2,54 * EP 17,



TE Part #4-643814-6
16P MTA100 CONN ASSY POL RIB



TE Part #643075-8
08P MTA100 MOLDED COVER



TE Part #207365-7
METRIMATE PIN HEADER ASSY, 3P



TE Part #1-208223-0
CPC RCPT ASSEMBLY SIZE 13-9



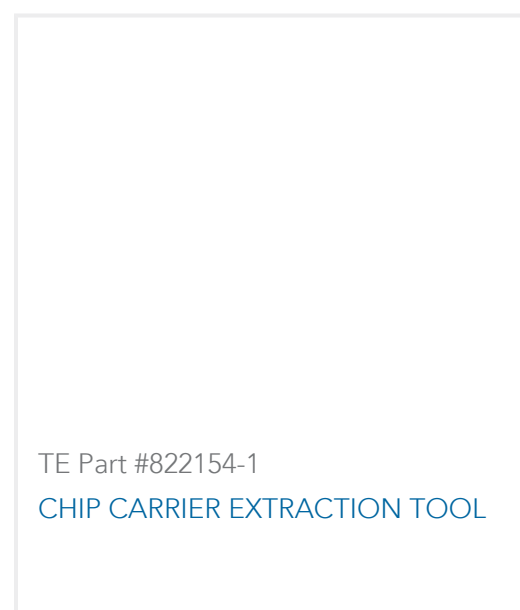
TE Part #9-1393211-8
T92S7A12-24



TE Part #229969-1
COVER, DUST, RCPT, RED, CHAMP



TE Part #4-640441-6
16P MTA100 CONN ASSY WHT



TE Part #822154-1
CHIP CARRIER EXTRACTION TOOL

Documents

Product Drawings

16P MTA100 MOLDED COVER

English

CAD Files

3D PDF

English

Customer View Model

[ENG_CVM_1-643075-6_G.3d_igs.zip](#)

English

Customer View Model

[ENG_CVM_1-643075-6_G.3d_stp.zip](#)

English

Customer View Model

[ENG_CVM_1-643075-6_G.2d_dxf.zip](#)

English

3D PDF

3D



Customer View Model

[ENG_CVM_CVM_1-643075-6_N.2d_dxf.zip](#)

English

Customer View Model

[ENG_CVM_CVM_1-643075-6_N.3d_igs.zip](#)

English

Customer View Model

[ENG_CVM_CVM_1-643075-6_N.3d_stp.zip](#)

English

By downloading the CAD file I accept and agree to the [Terms and Conditions](#) of use.

Product Specifications

[Application Specification](#)

English

Instruction Sheets

[Instruction Sheet \(U.S.\)](#)

English