



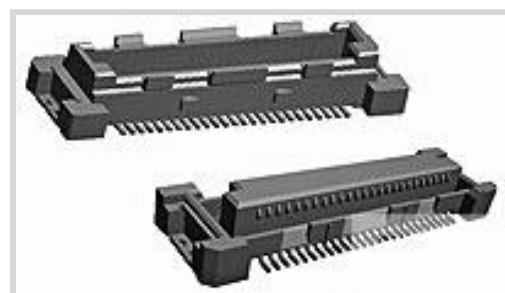
Free Height

TE Internal #: 1-5353190-1

PCB Mount Receptacle, Vertical, Board-to-Board, 160 Position, .6 mm [.024 in] Centerline, Gold, Surface Mount, Signal, Natural, Reel, Free Height

[View on TE.com >](#)

Connectors > PCB Connectors > PCB Headers & Receptacles



PCB Connector Assembly Type: **PCB Mount Receptacle**

PCB Mount Orientation: **Vertical**

Connector System: **Board-to-Board**

Number of Positions: **160**

Centerline (Pitch): **.6 mm [.024 in]**

Features

Electrical Characteristics

Operating Voltage	50 VAC
Insulation Resistance	2 MΩ
Dielectric Withstanding Voltage (Max)	200 VAC

Dimensions

Stack Height	4 mm[.157 in]
Connector Height	4 mm[.157 in]

Packaging Features

Packaging Quantity	1000
Packaging Method	Reel

Mechanical Attachment

Mating Alignment Type	Polarized
PCB Mount Retention Type	Solder Peg
PCB Mount Alignment Type	Locating Posts
PCB Mount Retention	With
PCB Mount Alignment	With
Mating Alignment	With

Termination Features

Rectangular Termination Post & Tail Width	.9 mm[.035 in]
---	----------------



Rectangular Termination Post & Tail Thickness	.15 mm[.006 in]
---	-----------------

Termination Method to PCB	Surface Mount
---------------------------	---------------

Contact Features

	7.874 μ m
--	---------------

PCB Contact Termination Area Plating Material Thickness	.05 μ m, 1 μ m[39.37 μ m][1.9685 μ m]
---	---

Contact Layout	Inline
----------------	--------

Contact Mating Area Length	1.3 mm, 1 mm
----------------------------	--------------

Contact Base Material	Copper Alloy
-----------------------	--------------

PCB Contact Termination Area Plating Material	Tin, Gold
---	-----------

Contact Mating Area Plating Material	Gold
--------------------------------------	------

Contact Type	Socket
--------------	--------

Contact Current Rating (Max)	.5 A
------------------------------	------

Housing Features

Housing Material	High Temperature Thermoplastic
------------------	--------------------------------

Centerline (Pitch)	.6 mm[.024 in]
--------------------	----------------

Configuration Features

Board-to-Board Configuration	Parallel
------------------------------	----------

Stackable	Yes
-----------	-----

PCB Mount Orientation	Vertical
-----------------------	----------

Number of Positions	160
---------------------	-----

Product Type Features

Ground Feature Type	Grounding Contact
---------------------	-------------------

PCB Connector Assembly Type	PCB Mount Receptacle
-----------------------------	----------------------

Connector System	Board-to-Board
------------------	----------------

Connector & Contact Terminates To	Printed Circuit Board
-----------------------------------	-----------------------

Body Features

Primary Product Color	Natural
-----------------------	---------

Usage Conditions

Operating Temperature Range	-40 – 85 °C[-40 – 185 °F]
-----------------------------	---------------------------

Operation/Application

Circuit Application	Signal
---------------------	--------

Industry Standards



UL Flammability Rating	UL 94V-0
------------------------	----------

Other

EU RoHS Compliance	Compliant
EU ELV Compliance	Compliant

Product Compliance

[For compliance documentation, visit the product page on TE.com>](#)

EU RoHS Directive 2011/65/EU	Compliant
EU ELV Directive 2000/53/EC	Compliant
China RoHS 2 Directive MIIT Order No 32, 2016	No Restricted Materials Above Threshold
EU REACH Regulation (EC) No. 1907/2006	Current ECHA Candidate List: JUNE 2024 (241) Candidate List Declared Against: JUNE 2024 (241) Does not contain REACH SVHC
Halogen Content	Low Halogen - Br, Cl, F, I < 900 ppm per homogenous material. Also BFR/CFR/PVC Free
Solder Process Capability	Reflow solder capable to 245°C

Product Compliance Disclaimer

This information is provided based on reasonable inquiry of our suppliers and represents our current actual knowledge based on the information they provided. This information is subject to change. The part numbers that TE has identified as EU RoHS compliant have a maximum concentration of 0.1% by weight in homogenous materials for lead, hexavalent chromium, mercury, PBB, PBDE, DBP, BBP, DEHP, DIBP, and 0.01% for cadmium, or qualify for an exemption to these limits as defined in the Annexes of Directive 2011/65/EU (RoHS2). Finished electrical and electronic equipment products will be CE marked as required by Directive 2011/65/EU. Components may not be CE marked. Additionally, the part numbers that TE has identified as EU ELV compliant have a maximum concentration of 0.1% by weight in homogenous materials for lead, hexavalent chromium, and mercury, and 0.01% for cadmium, or qualify for an exemption to these limits as defined in the Annexes of Directive 2000/53/EC (ELV). Regarding the REACH Regulation, the information TE provides on SVHC in articles for this part number is based on the latest European Chemicals Agency (ECHA) 'Guidance on requirements for substances in articles' posted at this URL: <https://echa.europa.eu/guidance-documents/guidance-on-reach>

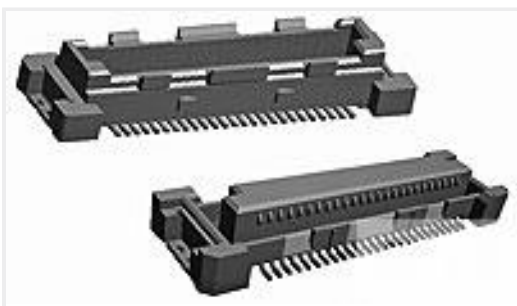
Compatible Parts

TE Part # 6-6123845-1
[.6FHP10H,160,S,GIG,08/Sn,ST,SEYes](#)

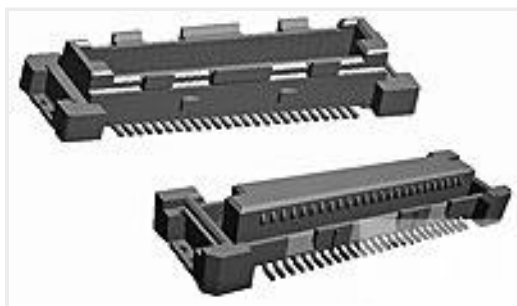
TE Part # 1-5353186-1
[.6FHP06H,160,S,GIG,08/Sn,TR,NSYes](#)

TE Part # 1-5353187-1
[.6FHP08H,160,S,STD,08/Sn,TR,NS](#)

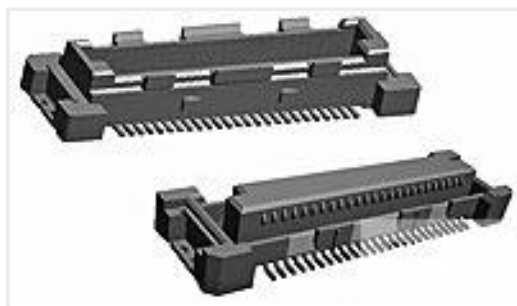
TE Part # 1-1717151-1
[.6FHP04H,160,S,STD,08/Sn,ST,NSYes](#)



TE Part # 1-5353188-1
.6FHP08H,160,S,GIG,08/Sn,TR,NSYes



TE Part # 1-6376014-1
.6FHP10H,160,S,STD,08/Sn,ST,NSYes



TE Part # 6-5353184-1
.6FHP04H,160,S,GIG,08/Sn,TR,SENo

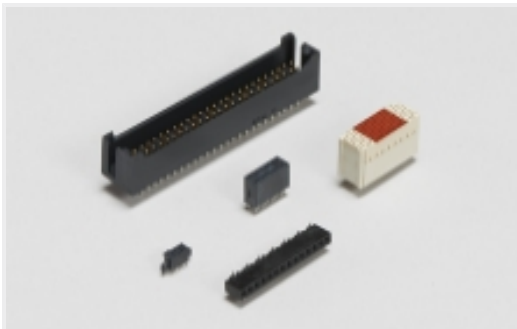


TE Part # 1-5316559-1
.6FHP04H,160,S,GIG,08/Sn,HT,SEYes

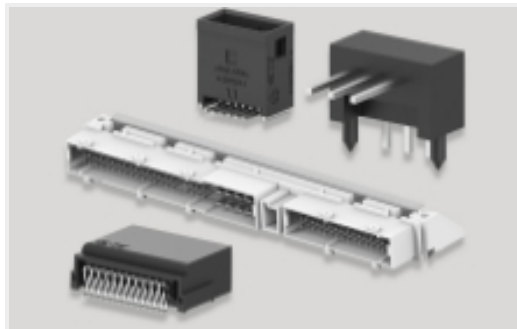


TE Part # 1-5316562-1
.6FHP08H,160,S,GIG,08/Sn,ST,NS

Also in the Series | Free Height

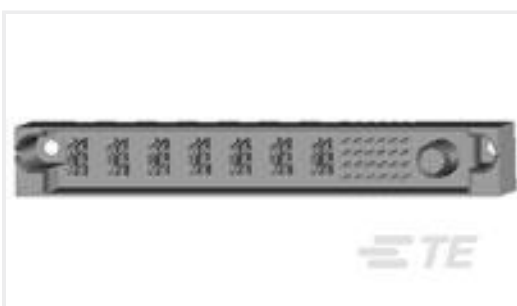


Board-to-Board Headers & Receptacles(747)

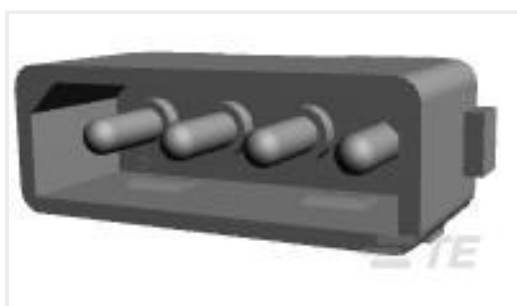


PCB Headers & Receptacles(747)

Customers Also Bought



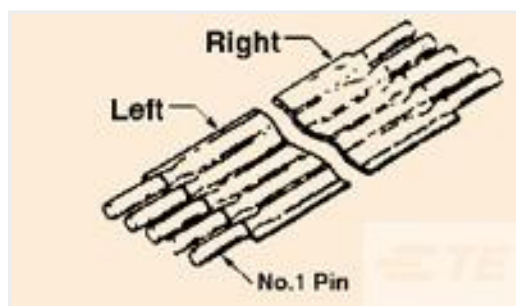
TE Part #1932045-1
MBXL VERT HDR 7ACP+24S+1RF



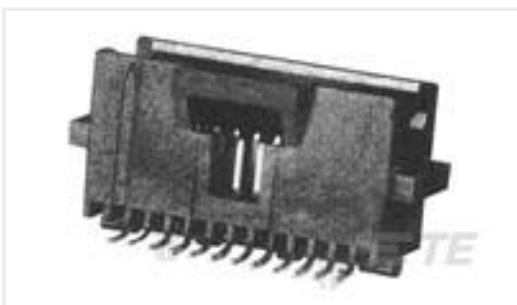
TE Part #794431-1
04P CMNL PIN HDR SN LONG TAIL



TE Part #5120661-1
Z-PACK HS3 HDR ASY 10R 50P



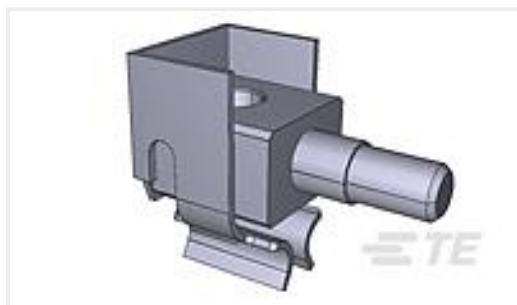
TE Part #6-1437180-8
FST-11A-8



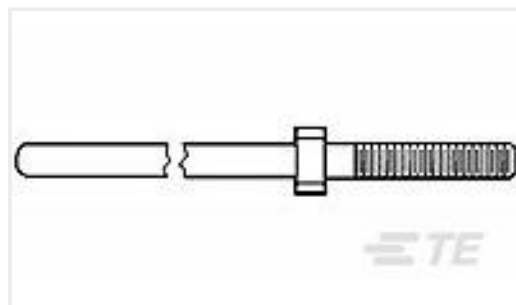
TE Part #147377-5
50 SYS50 SMT HDR DR SHD W/O HD



TE Part #5120662-1
Z-PACK HS3 HDR ASY 10R 50P



TE Part #535875-1
AMP TBC PLUS STC DSCHG PWR REC



TE Part #532828-2
HDI STATIC CHRGE GDE PIN PLTD



Documents

Product Drawings

[.6FHR04H,160,S,GIG,08/Sn,TR,NSNo](#)

English

CAD Files

[3D PDF](#)

3D

Customer View Model

[ENG_CVM_CVM_1-5353190-1_D.2d_dxf.zip](#)

English

Customer View Model

[ENG_CVM_CVM_1-5353190-1_D.3d_igs.zip](#)

English

Customer View Model

[ENG_CVM_CVM_1-5353190-1_D.3d_stp.zip](#)

English

By downloading the CAD file I accept and agree to the [Terms and Conditions](#) of use.

Product Specifications

[Application Specification](#)

English