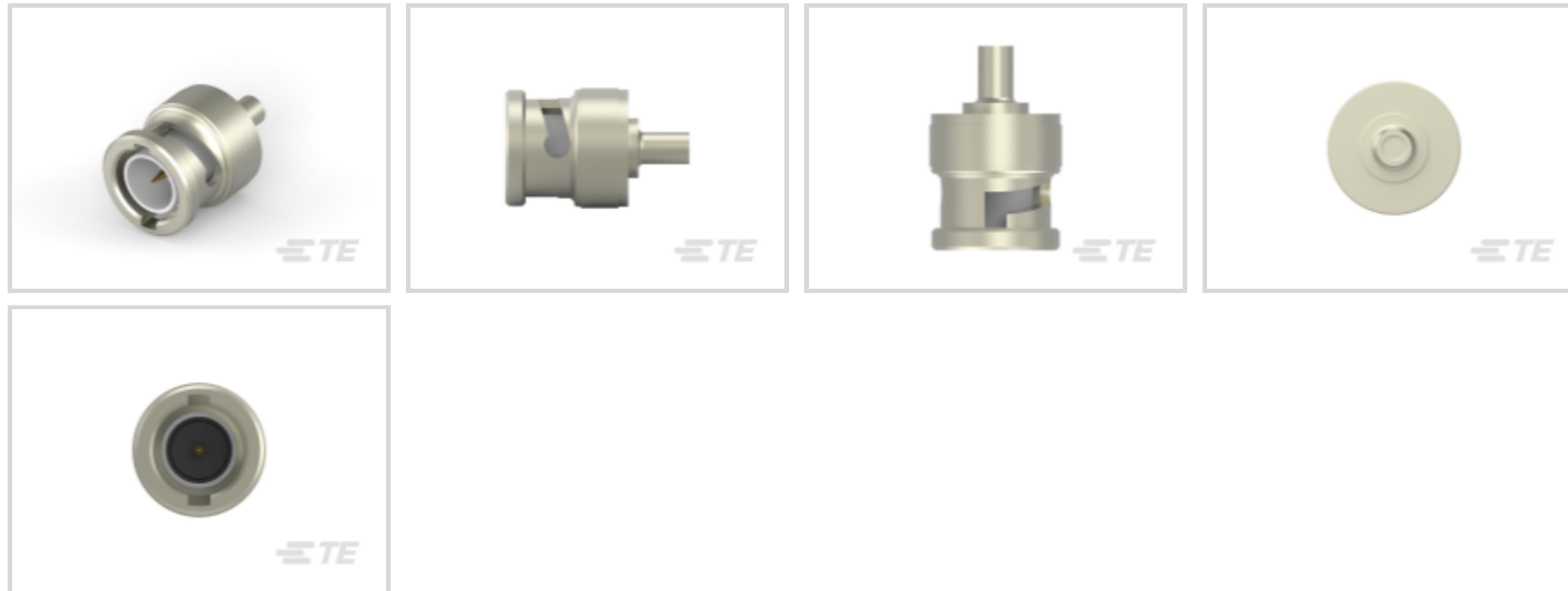




Connectors > RF Connectors > Coax Connectors



RF Interface: **BNC**

RF Connector Style: **Plug**

RF Connector Mated Outer Diameter (Approximate): **14.53 mm [.572 in]**

Impedance: **75 Ω**

Compatible With RF Cable Type: **RG 59B**

Features

Usage Conditions

Insulation Option	Uninsulated
-------------------	-------------

Other

Additional Features	Hardware Included
Coupling Nut Base Material	Brass
Grade	Commercial
Dielectric Material	Polyethylene
EU RoHS Compliance	Compliant with Exemptions
EU ELV Compliance	Compliant with Exemptions

Contact Features

Crimp Type	Dual Crimp
RF Connector Center Contact Underplating Material	Nickel
	1080 μin
RF Connector Center Contact Plating Material	Gold
RF Connector Center Contact Material	Brass

Product Type Features

RF Interface	BNC
--------------	-----

RF Connector Style	Plug
Compatible With RF Cable Type	RG 59B
Connector System	Cable-to-Cable
Sealable	No
Connector & Contact Terminates To	Wire & Cable

Dimensions

RF Connector Mated Outer Diameter (Approximate)	14.53 mm[.572 in]
---	-------------------

Electrical Characteristics

Impedance	75 Ω
-----------	-------------

Mechanical Attachment

RF Connector Coupling Mechanism	Bayonet
Connector Mounting Type	Cable Mount (Free-Hanging)
RF Contact Captivation Method	Mechanical
Detent	With

Operation/Application

Operating Frequency	2 GHz
---------------------	-------

Configuration Features

Number of Positions	1
Number of Coaxial Contacts	1

Body Features

Cable Connector Orientation	Straight
Body Material	Brass
Body Plating Material	Nickel

Termination Features

Termination Method to Wire & Cable	Crimp
------------------------------------	-------

Packaging Features

Packaging Method	Carton
------------------	--------

Product Compliance

[For compliance documentation, visit the product page on TE.com>](#)

EU RoHS Directive 2011/65/EU	Compliant with Exemptions
------------------------------	---------------------------

EU ELV Directive 2000/53/EC

Compliant with Exemptions

China RoHS 2 Directive MIIT Order No 32, 2016

Restricted Materials Above Threshold

EU REACH Regulation (EC) No. 1907/2006

Current ECHA Candidate List: JUNE 2024
(241)

Candidate List Declared Against: JAN 2021
(211)

SVHC > Threshold:

Pb (3.7% in COMPONENT PART)

Article Safe Usage Statements:

Do not eat, drink or smoke when using this product. Wash thoroughly after handling. Recycle if possible and dispose of the article by following all applicable governmental regulations relevant to your geographic location.

Halogen Content

BFR/CFR/PVC Free, but Br/Cl >900 ppm in other sources.

Solder Process Capability

Not applicable for solder process capability

Product Compliance Disclaimer

This information is provided based on reasonable inquiry of our suppliers and represents our current actual knowledge based on the information they provided. This information is subject to change. The part numbers that TE has identified as EU RoHS compliant have a maximum concentration of 0.1% by weight in homogenous materials for lead, hexavalent chromium, mercury, PBB, PBDE, DBP, BBP, DEHP, DIBP, and 0.01% for cadmium, or qualify for an exemption to these limits as defined in the Annexes of Directive 2011/65/EU (RoHS2). Finished electrical and electronic equipment products will be CE marked as required by Directive 2011/65/EU. Components may not be CE marked. Additionally, the part numbers that TE has identified as EU ELV compliant have a maximum concentration of 0.1% by weight in homogenous materials for lead, hexavalent chromium, and mercury, and 0.01% for cadmium, or qualify for an exemption to these limits as defined in the Annexes of Directive 2000/53/EC (ELV). Regarding the REACH Regulation, the information TE provides on SVHC in articles for this part number is based on the latest European Chemicals Agency (ECHA) 'Guidance on requirements for substances in articles' posted at this URL: <https://echa.europa.eu/guidance-documents/guidance-on-reach>

Customers Also Bought



TE Part #1-794610-2
MICRO MNL RPT CNT,LS PC 30AU L



TE Part #1445022-3
MICRO MNL RFECEPT HSG SINGLE R



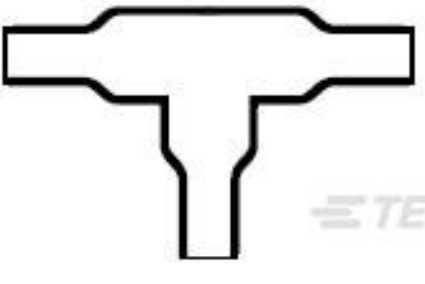
TE Part #YDTS20W11-98PBV001
RECP ASSY



TE Part #2174803-2
PUSH-PUSH MICRO SIM CONNECTOR



TE Part #9-50427-1
FERRULE, THICK WALL, LEAD FREE



TE Part #820091-000
301A011-25-0



TE Part #276964-1
TERMINAL,AMPOWER 500MCM



TE Part #4-521098-2
ULTRA-FAST 250 ASSEMBLY 12-10 AWG TPBR



Documents

Product Drawings

[PLUG,75 OHM,COML BNC](#)

English

CAD Files

[3D PDF](#)

3D

Customer View Model

[ENG_CVM_CVM_1-5221185-5_A.2d_dxf.zip](#)

English

Customer View Model

[ENG_CVM_CVM_1-5221185-5_A.3d_igs.zip](#)

English

Customer View Model

[ENG_CVM_CVM_1-5221185-5_A.3d_stp.zip](#)

English

By downloading the CAD file I accept and agree to the [Terms and Conditions](#) of use.

Product Specifications

[Product Specification](#)

English

[Connector, Coaxial, 75 Ohm BNC Series, Commercial & Dual Crimp Types](#)

English

[Product Specification](#)

Japanese

Instruction Sheets

[Instruction Sheet \(U.S.\)](#)

English