



Connectors > PCB Connectors > Wire-to-Board Connectors > FFC, FPC & Ribbon Connectors > FFC Connectors >

2.54mm FFC Connectors Receptacle Housing



FFC Connector Product Type: **Housing**

Connector System: **Wire-to-Board**

Number of Positions: **18**

Centerline (Pitch): **2.54 mm [.1 in]**

Number of Rows: **1**

[All 2.54mm FFC Connectors Receptacle Housing \(143\)](#)

## Features

### Industry Standards

UL Flammability Rating	UL 94V-0
------------------------	----------

### Electrical Characteristics

Operating Voltage	300 VAC
Insulation Resistance	5000 MΩ
Dielectric Withstanding Voltage (Max)	720 VAC

### Operation/Application

Circuit Application	Signal
---------------------	--------

### Mechanical Attachment

Mating Alignment Type	Polarization
Mating Retention Type	Latch
Mating Retention	With
Mating Alignment	With
Panel Mount Feature	Without



Connector Mounting Type	Cable Mount (Free-Hanging)
-------------------------	----------------------------

### Packaging Features

Packaging Quantity	400
--------------------	-----

Packaging Method	Carton
------------------	--------

### Housing Features

Housing Material	Thermoplastic
------------------	---------------

Centerline (Pitch)	2.54 mm [.1 in]
--------------------	-----------------

FFC Cable Entry	Straight
-----------------	----------

### Product Type Features

Connector & Contact Terminates To	Wire & Cable
-----------------------------------	--------------

Connector & Housing Type	Receptacle
--------------------------	------------

FFC Connector Product Type	Housing
----------------------------	---------

Connector System	Wire-to-Board
------------------	---------------

Insertion Force Type	Normal
----------------------	--------

### Configuration Features

Number of Positions	18
---------------------	----

Number of Rows	1
----------------	---

### Body Features

Primary Product Color	Black
-----------------------	-------

### Contact Features

Contact Type	Socket
--------------	--------

### Usage Conditions

Operating Temperature Range	-65 – 105 °C [-85 – 221 °F]
-----------------------------	-----------------------------

### Other

EU RoHS Compliance	Compliant
--------------------	-----------

EU ELV Compliance	Compliant
-------------------	-----------

### Product Compliance

[For compliance documentation, visit the product page on TE.com>](#)

EU RoHS Directive 2011/65/EU	Compliant
------------------------------	-----------

EU ELV Directive 2000/53/EC	Compliant
-----------------------------	-----------



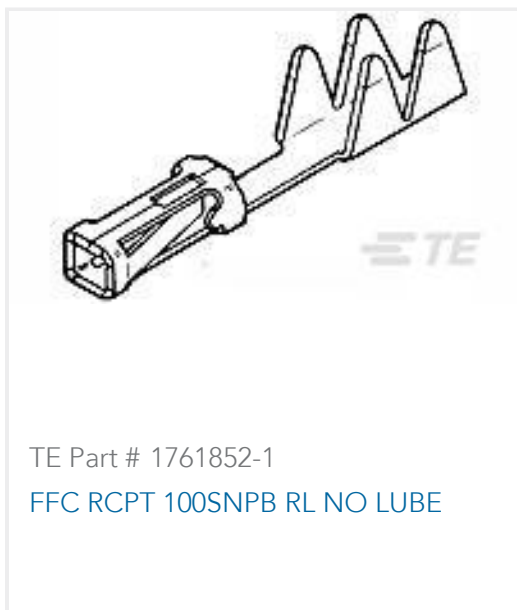
China RoHS 2 Directive MIIT Order No 32, 2016	No Restricted Materials Above Threshold
EU REACH Regulation (EC) No. 1907/2006	Current ECHA Candidate List: JUNE 2024 (241) Candidate List Declared Against: JUNE 2024 (241) Does not contain REACH SVHC
Halogen Content	Not Low Halogen - contains Br or Cl > 900 ppm.
Solder Process Capability	Not applicable for solder process capability

Product Compliance Disclaimer

This information is provided based on reasonable inquiry of our suppliers and represents our current actual knowledge based on the information they provided. This information is subject to change. The part numbers that TE has identified as EU RoHS compliant have a maximum concentration of 0.1% by weight in homogenous materials for lead, hexavalent chromium, mercury, PBB, PBDE, DBP, BBP, DEHP, DIBP, and 0.01% for cadmium, or qualify for an exemption to these limits as defined in the Annexes of Directive 2011/65/EU (RoHS2). Finished electrical and electronic equipment products will be CE marked as required by Directive 2011/65/EU. Components may not be CE marked. Additionally, the part numbers that TE has identified as EU ELV compliant have a maximum concentration of 0.1% by weight in homogenous materials for lead, hexavalent chromium, and mercury, and 0.01% for cadmium, or qualify for an exemption to these limits as defined in the Annexes of Directive 2000/53/EC (ELV). Regarding the REACH Regulation, the information TE provides on SVHC in articles for this part number is based on the latest European Chemicals Agency (ECHA) 'Guidance on requirements for substances in articles' posted at this URL: <https://echa.europa.eu/guidance-documents/guidance-on-reach>

## Compatible Parts

 <p>TE Part # CAT-F439-S01339254 2.54mm FFC Connectors Socket Contacts</p>	 <p>TE Part # 1-103635-7 18 MTE HDR SRRA LATCH .100CL</p>	 <p>TE Part # 1-103673-7 18 MTE HDR SRRA LATCH W/HLDWN</p>	 <p>TE Part # 6-103908-7 18 MTE HDR SRST LATCH W/HLDWN</p>
 <p>TE Part # 1-103735-7 18 MTE HDR SRST LATCH .100CL</p>	 <p>TE Part # 1-103908-7 18 MTE HDR SRST LATCH W/HLDWN</p>	 <p>TE Part # 1-103670-7 18 MTE HDR SRST LATCH W/HLDWN</p>	 <p>TE Part # 6-103904-7 18 MTE HDR SRRA LATCH W/HLDWN</p>



## Customers Also Bought



## Documents

### Product Drawings

[018 HOUSING FFC RCPT 100CL SR](#)

English

### CAD Files

Customer View Model

[ENG\\_CVM\\_CVM\\_1-487526-7\\_AT.2d\\_dxf.zip](#)

English

### 3D PDF

3D

Customer View Model

[ENG\\_CVM\\_CVM\\_1-487526-7\\_AT.3d\\_igs.zip](#)

English

Customer View Model

[ENG\\_CVM\\_CVM\\_1-487526-7\\_AT.3d\\_stp.zip](#)

English

By downloading the CAD file I accept and agree to the [Terms and Conditions](#) of use.



**Product Specifications**

**Application Specification**

English

---

**Instruction Sheets**

**Instruction Sheet (U.S.)**

English

**Extraction Tools**

English