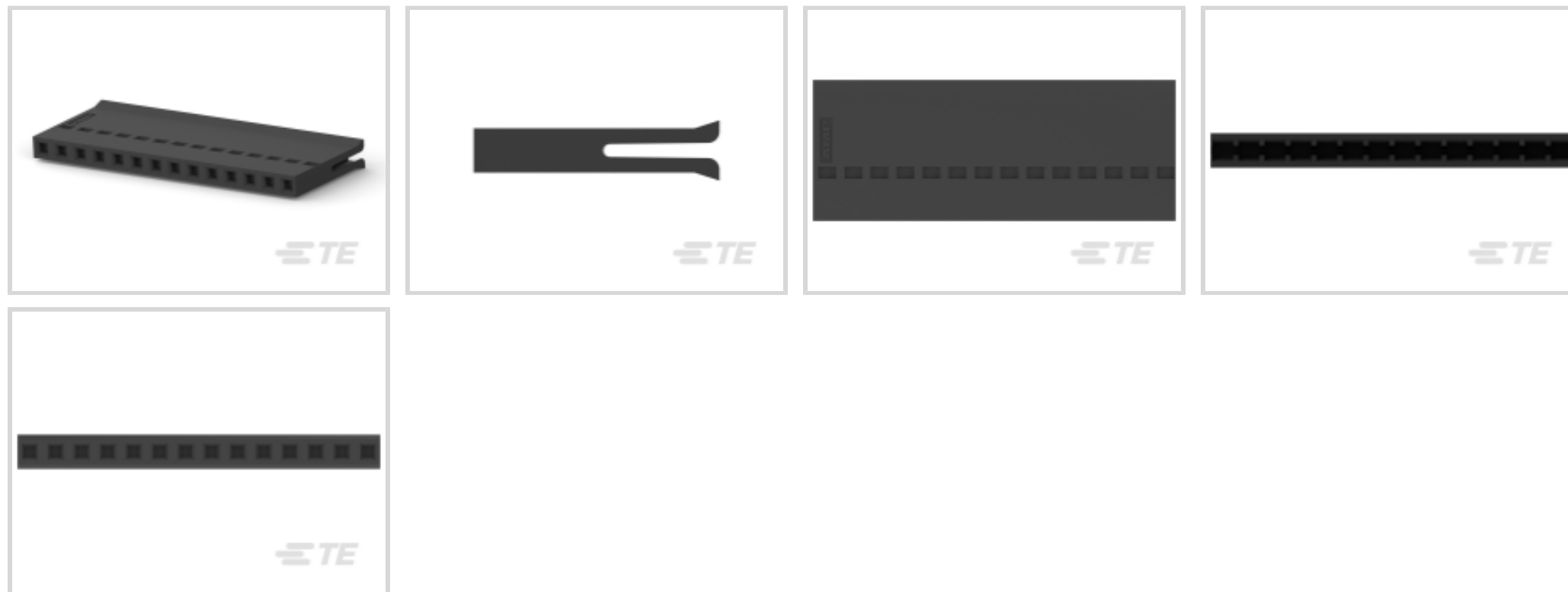




Connectors > PCB Connectors > Wire-to-Board Connectors > FFC, FPC & Ribbon Connectors > FFC Connectors >

2.54mm FFC Connectors Receptacle Housing



FFC Connector Product Type: **Housing**

Connector System: **Wire-to-Board**

Number of Positions: **14**

Centerline (Pitch): **2.54 mm [.1 in]**

Number of Rows: **1**

[All 2.54mm FFC Connectors Receptacle Housing \(143\)](#)

## Features

### Industry Standards

UL Flammability Rating	UL 94V-0
------------------------	----------

### Electrical Characteristics

Operating Voltage	300 VAC
Insulation Resistance	5000 MΩ
Dielectric Withstanding Voltage (Max)	720 VAC

### Operation/Application

Circuit Application	Signal
---------------------	--------

### Packaging Features

Packaging Quantity	1
Packaging Method	Package

### Housing Features

Housing Material	Thermoplastic
------------------	---------------



Centerline (Pitch)	2.54 mm [.1 in]
--------------------	-----------------

FFC Cable Entry	Straight
-----------------	----------

### Product Type Features

Connector & Contact Terminates To	Wire & Cable
-----------------------------------	--------------

Connector & Housing Type	Receptacle
--------------------------	------------

FFC Connector Product Type	Housing
----------------------------	---------

Connector System	Wire-to-Board
------------------	---------------

Insertion Force Type	Normal
----------------------	--------

### Configuration Features

Number of Positions	14
---------------------	----

Number of Rows	1
----------------	---

### Body Features

Primary Product Color	Black
-----------------------	-------

### Contact Features

Contact Type	Socket
--------------	--------

### Mechanical Attachment

Mating Retention	Without
------------------	---------

Mating Alignment	Without
------------------	---------

Panel Mount Feature	Without
---------------------	---------

Connector Mounting Type	Cable Mount (Free-Hanging)
-------------------------	----------------------------

### Usage Conditions

Operating Temperature Range	-65 – 105 °C [-85 – 221 °F]
-----------------------------	-----------------------------

### Other

EU RoHS Compliance	Compliant
--------------------	-----------

EU ELV Compliance	Compliant
-------------------	-----------

### Product Compliance

[For compliance documentation, visit the product page on TE.com>](#)

EU RoHS Directive 2011/65/EU	Compliant
------------------------------	-----------

EU ELV Directive 2000/53/EC	Compliant
-----------------------------	-----------

China RoHS 2 Directive MIIT Order No 32, 2016	No Restricted Materials Above Threshold
-----------------------------------------------	-----------------------------------------

EU REACH Regulation (EC) No. 1907/2006	
----------------------------------------	--



Current ECHA Candidate List: JUNE 2024 (241)

Candidate List Declared Against: JUNE 2024 (241)

Does not contain REACH SVHC

Halogen Content

Not Low Halogen - contains Br or Cl > 900 ppm.

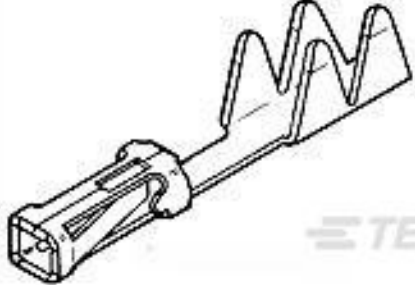
Solder Process Capability

Not applicable for solder process capability

Product Compliance Disclaimer

This information is provided based on reasonable inquiry of our suppliers and represents our current actual knowledge based on the information they provided. This information is subject to change. The part numbers that TE has identified as EU RoHS compliant have a maximum concentration of 0.1% by weight in homogenous materials for lead, hexavalent chromium, mercury, PBB, PBDE, DBP, BBP, DEHP, DIBP, and 0.01% for cadmium, or qualify for an exemption to these limits as defined in the Annexes of Directive 2011/65/EU (RoHS2). Finished electrical and electronic equipment products will be CE marked as required by Directive 2011/65/EU. Components may not be CE marked. Additionally, the part numbers that TE has identified as EU ELV compliant have a maximum concentration of 0.1% by weight in homogenous materials for lead, hexavalent chromium, and mercury, and 0.01% for cadmium, or qualify for an exemption to these limits as defined in the Annexes of Directive 2000/53/EC (ELV). Regarding the REACH Regulation, the information TE provides on SVHC in articles for this part number is based on the latest European Chemicals Agency (ECHA) 'Guidance on requirements for substances in articles' posted at this URL: <https://echa.europa.eu/guidance-documents/guidance-on-reach>

### Compatible Parts



TE Part # 1761852-1  
FFC RCPT 100SNPB RL NO LUBE



TE Part # CAT-F439-S01339254  
2.54mm FFC Connectors Socket Contacts



TE Part # 6-103329-4  
14 MODII HDR SRRRA B/A .100 CL LF

### Customers Also Bought



TE Part #CAT-F439-R2435254  
2.54mm FFC Connectors Receptacle Housing



TE Part #CAT-F439-S01339254  
2.54mm FFC Connectors Socket Contacts



TE Part #5-103168-5  
14 MODII HDR DRST SHRD .100CL



TE Part #103309-1  
010 LOPRO HDR SP 30DP



TE Part #87133-2  
10 LOCKING CLIP HSG DR .100CL



TE Part #5-1393028-1  
ODCM-5 = SLIM PCB MOUNT, 3A, 60V  
DC-DC I/p



TE Part #2-6609115-3  
6EGG1-2=F7386D



TE Part #E40870-000  
VERSAFIT-MINI-SPL-1/16-BK

## Documents

### Product Drawings

#### 014 HOUSING FFC RCPT 100CL SR

English

### CAD Files

#### Customer View Model

#### ENG\_CVM\_CVM\_1-487378-3\_AE.2d\_dxf.zip

English

#### 3D PDF

3D

#### Customer View Model

#### ENG\_CVM\_CVM\_1-487378-3\_AE.3d\_igs.zip

English

#### Customer View Model

#### ENG\_CVM\_CVM\_1-487378-3\_AE.3d\_stp.zip

English

By downloading the CAD file I accept and agree to the [Terms and Conditions](#) of use.

### Product Specifications

#### Application Specification

English

### Instruction Sheets

#### Instruction Sheet (U.S.)

English

#### Extraction Tools

English

### Agency Approvals

#### CSA Certificate

English