

1-480683-0 ✓ ACTIVE

MATE-N-LOK | Commercial MATE-N-LOK

TE Internal #: 1-480683-0

Housing, Plug, Wire-to-Wire, 2 Position, 5.08 mm [.2 in] Centerline,
Wire & Cable, UL 94V-2, Commercial MATE-N-LOK, Rectangular
Power Connectors

[View on TE.com >](#)



Connectors > Power Connectors > Rectangular Power > Rectangular Power Connectors



Rectangular Power Connector Type: **Housing**

Connector & Housing Type: **Plug**

Connector System: **Wire-to-Wire**

Number of Positions: **2**

Centerline (Pitch): **5.08 mm [.2 in]**

Features

Identification Marking

Circuit Identification Feature	With
--------------------------------	------

Dimensions

	.86 in
--	--------

Packaging Features

Packaging Quantity	1
Packaging Method	Package

Contact Features

Contact Layout	Inline
Contact Retention Within Housing	Without
Contact Type	Socket

Mechanical Attachment

Panel Mount Feature	Without
Connector Mounting Type	Cable Mount (Free-Hanging)



Industry Standards

Compatible With Agency/Standards Products	UL, CSA
UL Rating	Recognized, Certified
Compatible With Approved Standards Products	UL E28476
CSA Rating	LR 16455
UL Flammability Rating	UL 94V-2
Glow Wire Rating	Standard Part - Not Glow Wire

Product Type Features

Rectangular Power Connector Type	Housing
Connector & Housing Type	Plug
Connector System	Wire-to-Wire
Sealable	No
Connector & Contact Terminates To	Wire & Cable

Configuration Features

Number of Positions	2
Number of Rows	1

Electrical Characteristics

Operating Voltage	250 VAC
-------------------	---------

Termination Features

Termination Method to Wire & Cable	Crimp
------------------------------------	-------

Housing Features

Centerline (Pitch)	5.08 mm [.2 in]
Housing Color	Natural
Housing Material	Nylon

Usage Conditions

Operating Temperature Range	-55 – 105 °C [-67 – 221 °F]
-----------------------------	-----------------------------

Operation/Application

Circuit Application	Power & Signal
---------------------	----------------

Other

EU RoHS Compliance	Compliant
EU ELV Compliance	Compliant



Product Compliance

[For compliance documentation, visit the product page on TE.com>](#)

EU RoHS Directive 2011/65/EU	Compliant
EU ELV Directive 2000/53/EC	Compliant
China RoHS 2 Directive MIIT Order No 32, 2016	No Restricted Materials Above Threshold
EU REACH Regulation (EC) No. 1907/2006	Current ECHA Candidate List: JUNE 2024 (241) Candidate List Declared Against: JUNE 2024 (241) Does not contain REACH SVHC
Halogen Content	Low Halogen - Br, Cl, F, I < 900 ppm per homogenous material. Also BFR/CFR/PVC Free
Solder Process Capability	Not applicable for solder process capability

Product Compliance Disclaimer

This information is provided based on reasonable inquiry of our suppliers and represents our current actual knowledge based on the information they provided. This information is subject to change. The part numbers that TE has identified as EU RoHS compliant have a maximum concentration of 0.1% by weight in homogenous materials for lead, hexavalent chromium, mercury, PBB, PBDE, DBP, BBP, DEHP, DIBP, and 0.01% for cadmium, or qualify for an exemption to these limits as defined in the Annexes of Directive 2011/65/EU (RoHS2). Finished electrical and electronic equipment products will be CE marked as required by Directive 2011/65/EU. Components may not be CE marked. Additionally, the part numbers that TE has identified as EU ELV compliant have a maximum concentration of 0.1% by weight in homogenous materials for lead, hexavalent chromium, and mercury, and 0.01% for cadmium, or qualify for an exemption to these limits as defined in the Annexes of Directive 2000/53/EC (ELV). Regarding the REACH Regulation, the information TE provides on SVHC in articles for this part number is based on the latest European Chemicals Agency (ECHA) 'Guidance on requirements for substances in articles' posted at this URL: <https://echa.europa.eu/guidance-documents/guidance-on-reach>

Compatible Parts



TE Part # 151680
2 WAY MATE-N-LOK SOC HSG NAT.



TE Part # 170121-1
MATE-N-LOK SKT L.P.



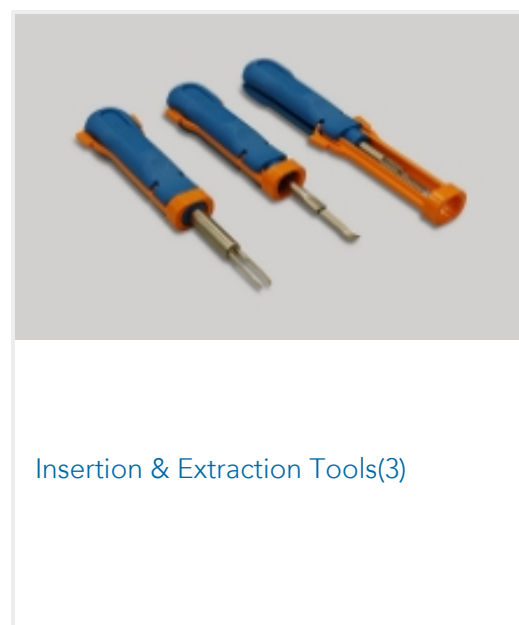
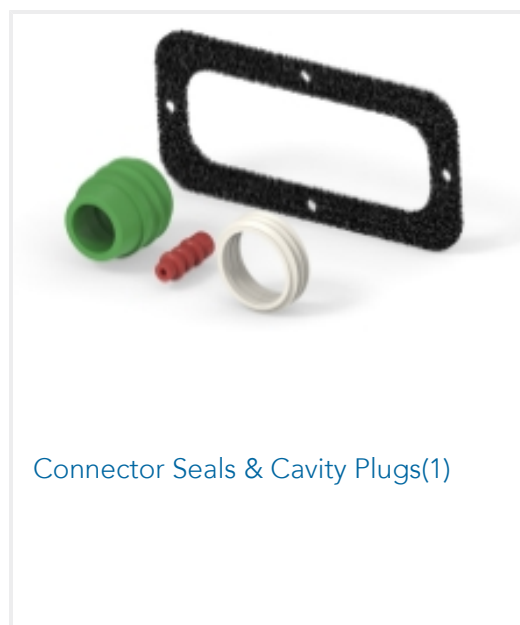
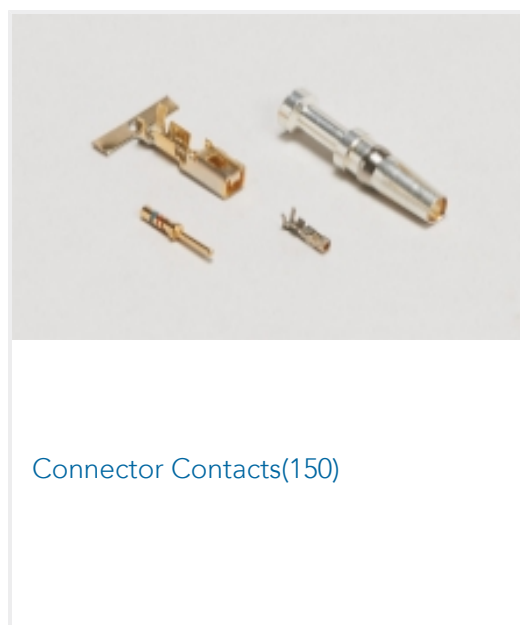
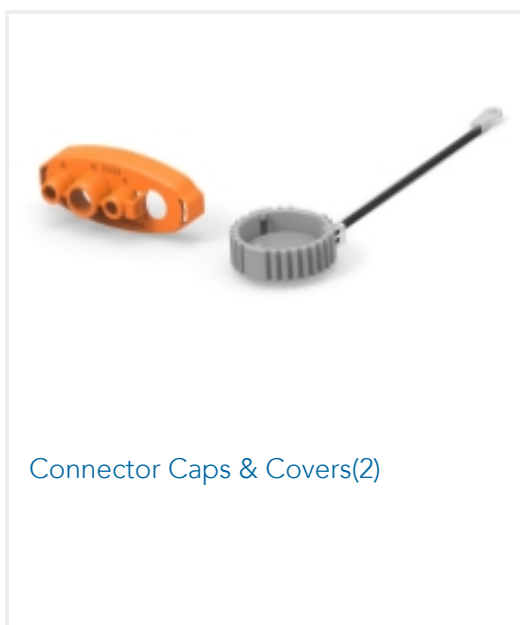
TE Part # 170148-2
MNL SOCKET L.P. 170147

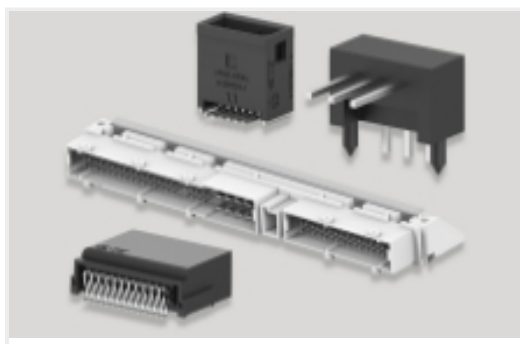


TE Part # 163304-4
SOCKET MATE-N-LOK



Also in the Series | **Commercial MATE-N-LOK**





PCB Headers & Receptacles(56)



Power Contacts(146)



Rectangular Power Connectors(115)



Wire-to-Board Headers & Receptacles (56)

Customers Also Bought



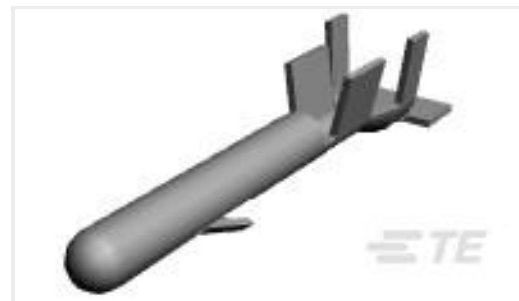
TE Part #926307-1
6P UNIV.M-N-L-CAP



TE Part #1-480319-0
02P CMNL CAP HSG NATL



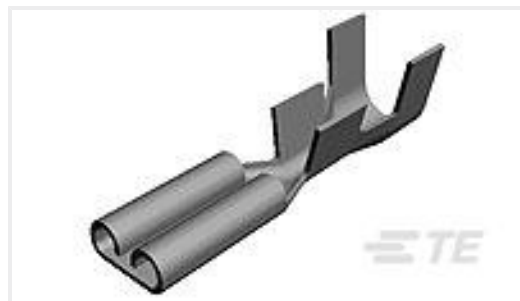
TE Part #61314-1
CMNL SOK 24-18 TPBR



TE Part #61118-1
MNL PIN 20-14 TPBR



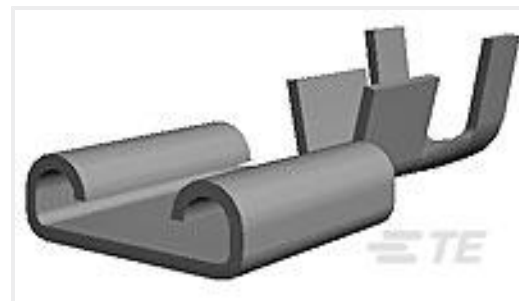
TE Part #1-320551-1
PIDG R 22-16 COMM 22-18 MIL 8



TE Part #60577-1
110 FASTON REC 22-18 AWG TPBR



TE Part #60617-4
CMNL SOK PTPPHBZ L/P



TE Part #5-160432-3
250 FASTON REC 20-16 AWG BR



TE Part #1879071-7
THS50 R33 5%



TE Part #61117-1
CMNL SOK 20-14 TPBR

Documents

Product Drawings

[02P CMNL PLUG HSG F/H NATL](#)

English

CAD Files

Customer View Model

[ENG_CVM_1-480683-0_D.3d_igs.zip](#)

English

Customer View Model



[ENG_CVM_1-480683-0_D.3d_stp.zip](#)

English

Customer View Model

[ENG_CVM_1-480683-0_D.2d_dxf.zip](#)

English

3D PDF

English

3D PDF

3D

Customer View Model

[ENG_CVM_CVM_1-480683-0_S.2d_dxf.zip](#)

English

Customer View Model

[ENG_CVM_CVM_1-480683-0_S.3d_igs.zip](#)

English

Customer View Model

[ENG_CVM_CVM_1-480683-0_S.3d_stp.zip](#)

English

By downloading the CAD file I accept and agree to the [Terms and Conditions](#) of use.

Product Specifications

Application Specification

English