

1-353908-4 ✓ ACTIVE



AMP Mini CT

TE Internal #: 1-353908-4

Housing, Receptacle, Wire-to-Board / Wire-to-Panel / Wire-to-Wire,
14 Position, 1.5 mm [.059 in] Centerline, Crimp, 1 Row, White, AMP
Mini CT

[View on TE.com >](#)

Connectors > PCB Connectors > Wire-to-Board Connectors > Wire-to-Board Connector Assemblies & Housings >

Mini Common Termination (CT) Housings



Connector Product Type: **Housing**

Connector & Housing Type: **Receptacle**

Connector System: **Wire-to-Board, Wire-to-Panel, Wire-to-Wire**

Number of Positions: **14**

Centerline (Pitch): **1.5 mm [.059 in]**

[All Mini Common Termination \(CT\) Housings \(38\)](#)

Features

Electrical Characteristics

Operating Voltage	50 VDC
Insulation Resistance	500 MΩ

Industry Standards

Compatible With Agency/Standards Products	UL, CSA
UL Flammability Rating	UL 94V-0
Glow Wire Rating	Standard Part - Not Glow Wire

Packaging Features

Packaging Method	Box
Packaging Quantity	1000

Dimensions

Connector Width	3.6 mm [.141 in]
-----------------	------------------



Compatible Insulation Diameter Range	.85 – 1.05 mm [.033 – .041 in]
--------------------------------------	--------------------------------

Connector Height	6 mm [.236 in]
------------------	----------------

Wire Size	30 – 24 AWG
-----------	-------------

Connector Length	22.5 mm [.886 in]
------------------	-------------------

Contact Features

Contact Layout	Inline
----------------	--------

Contact Type	Socket
--------------	--------

Contact Current Rating (Max)	3 A
------------------------------	-----

Mechanical Attachment

Strain Relief	Without
---------------	---------

Panel Mount Feature	Without
---------------------	---------

Mating Retention Type	Detent
-----------------------	--------

PCB Mount Retention	Without
---------------------	---------

Mating Retention	With
------------------	------

Connector Mounting Type	Cable Mount (Free-Hanging)
-------------------------	----------------------------

Housing Features

Housing Material	Nylon 66
------------------	----------

Housing Entry Configuration	Both Ends Closed
-----------------------------	------------------

Centerline (Pitch)	1.5 mm [.059 in]
--------------------	------------------

Product Type Features

Connector Product Type	Housing
------------------------	---------

Connector & Housing Type	Receptacle
--------------------------	------------

Connector System	Wire-to-Board, Wire-to-Panel, Wire-to-Wire
------------------	--

Sealable	No
----------	----

Connector & Contact Terminates To	Wire & Cable
-----------------------------------	--------------

Configuration Features

Number of Positions	14
---------------------	----

Number of Rows	1
----------------	---

Body Features

Primary Product Color	White
-----------------------	-------

Termination Features

Termination Method to Wire & Cable	Crimp
------------------------------------	-------



Usage Conditions

Operating Temperature Range	-30 – 105 °C[-22 – 221 °F]
-----------------------------	----------------------------

Operation/Application

Circuit Application	Power & Signal
---------------------	----------------

Other

EU RoHS Compliance	Compliant
EU ELV Compliance	Compliant

Product Compliance

[For compliance documentation, visit the product page on TE.com>](#)

EU RoHS Directive 2011/65/EU	Compliant
EU ELV Directive 2000/53/EC	Compliant
China RoHS 2 Directive MIIT Order No 32, 2016	No Restricted Materials Above Threshold
EU REACH Regulation (EC) No. 1907/2006	Current ECHA Candidate List: JUNE 2024 (241) Candidate List Declared Against: JUNE 2024 (241) Does not contain REACH SVHC
Halogen Content	Low Halogen - Br, Cl, F, I < 900 ppm per homogenous material. Also BFR/CFR/PVC Free
Solder Process Capability	Not applicable for solder process capability

Product Compliance Disclaimer

This information is provided based on reasonable inquiry of our suppliers and represents our current actual knowledge based on the information they provided. This information is subject to change. The part numbers that TE has identified as EU RoHS compliant have a maximum concentration of 0.1% by weight in homogenous materials for lead, hexavalent chromium, mercury, PBB, PBDE, DBP, BBP, DEHP, DIBP, and 0.01% for cadmium, or qualify for an exemption to these limits as defined in the Annexes of Directive 2011/65/EU (RoHS2). Finished electrical and electronic equipment products will be CE marked as required by Directive 2011/65/EU. Components may not be CE marked. Additionally, the part numbers that TE has identified as EU ELV compliant have a maximum concentration of 0.1% by weight in homogenous materials for lead, hexavalent chromium, and mercury, and 0.01% for cadmium, or qualify for an exemption to these limits as defined in the Annexes of Directive 2000/53/EC (ELV). Regarding the REACH Regulation, the information TE provides on SVHC in articles for this part number is based on the latest European Chemicals Agency (ECHA) 'Guidance on requirements for substances in articles' posted at this URL: <https://echa.europa.eu/guidance-documents/guidance-on-reach>

Compatible Parts



TE Part # 1-292246-4
1.5 MINI CT LATTICE REC KEY A



TE Part # 7-292208-8
MINI CT D/R DIP 28P V BLUE



TE Part # 1-292215-4
MINI CT SGL RELAY 14P NAT



TE Part # 2-292208-8
MINI CT D/R DIP 28P V NAT



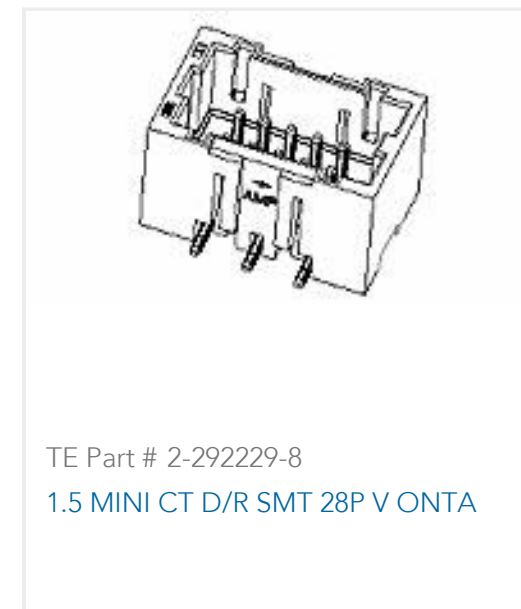
TE Part # 7-1612256-4
PLUG ASSY 14P ,MINI CT DC DRAW



TE Part # 1-292231-4
1.5 MINI CT SGL V SMT W/O BOSS



TE Part # 1-292223-4
1.5 MINI CT LATTICE PLUG/KIT K



TE Part # 2-292229-8
1.5 MINI CT D/R SMT 28P V ONTA



TE Part # 2-353294-8
AMP MINI D/R HDR HSG 28P NATU



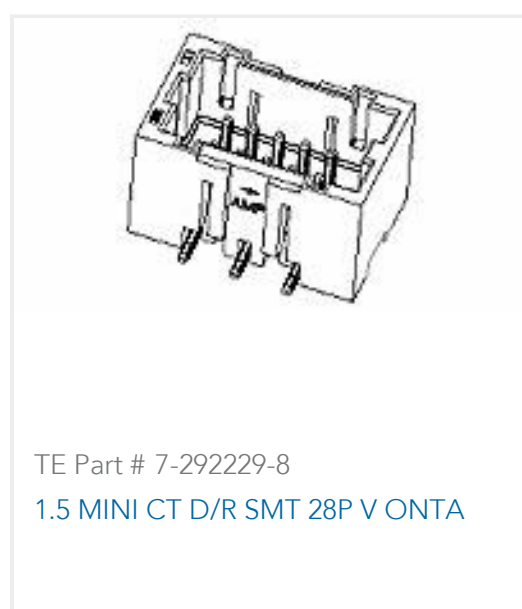
TE Part # 1-292207-4
MINI CT SGL DIP V 14P NAT



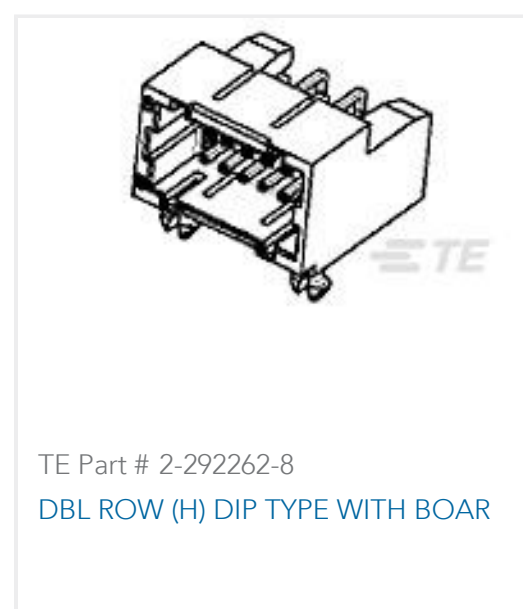
TE Part # 3-292207-4
MINI CT SGL DIP V 14P BLACK



TE Part # 1-292228-4
1.5 MINI CT SGL H SMT W/O BOSS



TE Part # 7-292229-8
1.5 MINI CT D/R SMT 28P V ONTA



TE Part # 2-292262-8
DBL ROW (H) DIP TYPE WITH BOAR



TE Part # 2-1612257-4
REC ASSY 14P ,MINI CT DC DRAW



TE Part # 1-292206-4
MINI CT SGL DIP H 14P NAT



TE Part # 1-292227-4
1.5 MINI CT SGL H SMT W BOSS 1



TE Part # 1-292232-4
1.5 MINI CT SGL V SMT W/BOS,PO



TE Part # 2-292216-8
MINI CT D/R RELAY 28P V NAT



TE Part # 1-292230-4
1.5 MINI CT SGL V SMT W/BOSS 1

Also in the Series | **AMP Mini CT**



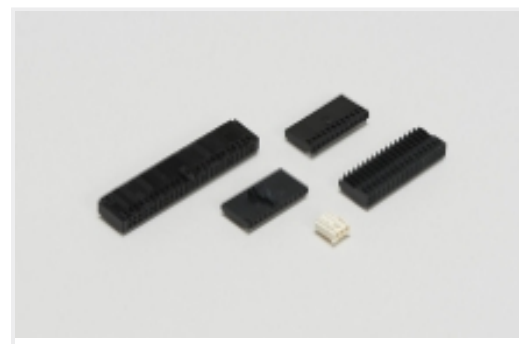
Connector Contacts(4)



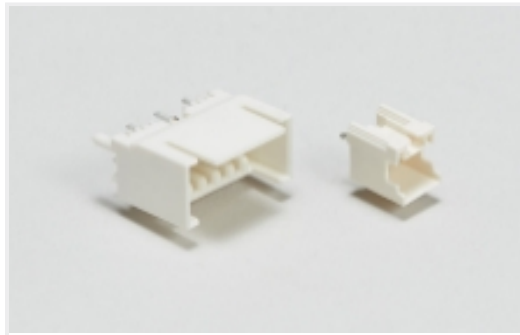
Connector Hardware(10)



PCB Headers & Receptacles(332)

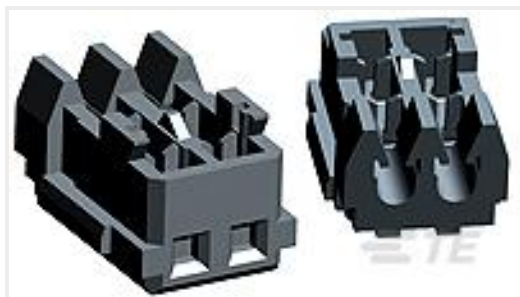


Wire-to-Board Connector Assemblies & Housings(172)

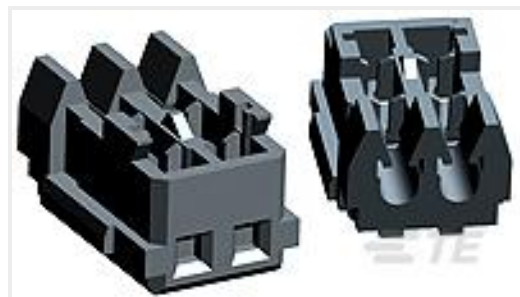


Wire-to-Board Headers & Receptacles (332)

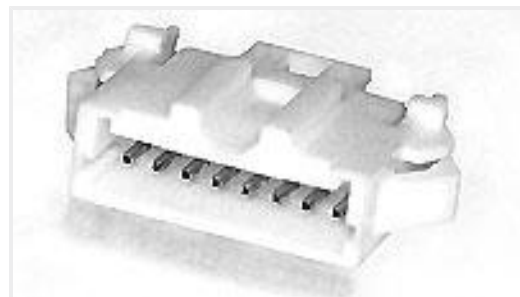
Customers Also Bought



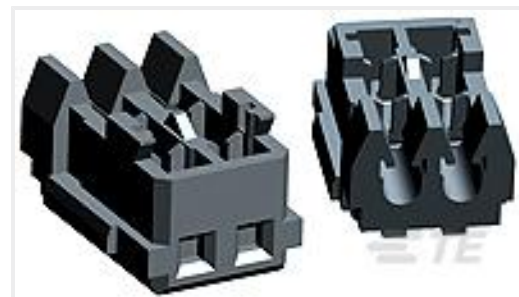
TE Part #1-353293-2
MINI CT MT REC ASSY 12P GRAY



TE Part #353293-9
MINI CT MT REC ASSY 9P GRAY



TE Part #292215-4
MINI CT SGL RELAY 4P NAT



TE Part #1-353293-8
MINI CT MT REC ASSY 18P GRAY



TE Part #1-353908-2
CT REC HSG 12P CRIMP TYPE WHIT



TE Part #292254-6
CT RELAY HDR ASSY 6P NAT



TE Part #3-353294-0
AMP MINI D/R HDR HSG 30P NATU



TE Part #1-179228-0
CT CRIMP-2 REC HSG 10P NATURAL



TE Part #292215-9
MINI CT SGL RELAY 9P NAT



TE Part #292254-7
CT RELAY HDR ASSY 7P NAT

Documents



Product Drawings

CT REC HSG 14P CRIMP TYPE WHIT

English

CAD Files

Customer View Model

[ENG_CVM_CVM_1-353908-4_P.2d_dxf.zip](#)

English

3D PDF

3D

Customer View Model

[ENG_CVM_CVM_1-353908-4_P.3d_igs.zip](#)

English

Customer View Model

[ENG_CVM_CVM_1-353908-4_P.3d_stp.zip](#)

English

By downloading the CAD file I accept and agree to the [Terms and Conditions](#) of use.

Product Specifications

Application Specification

English

Instruction Sheets

Instruction Sheet for Mini CT DC Drawer Connector SF Type

Japanese

Instruction Sheet (non U.S.)

English

1.5mm Pitch Mini CT DC Drawer Connector SF Type

Japanese

Instruction Sheet (non U.S.)

Japanese

1.5mm Pitch Mini CT Hybrid Drawer Connector SF Type

Japanese

Instruction Sheet (non U.S.)

Japanese

1.5mm Pitch Mini CT Hybrid Drawer Connector Slim Type

Japanese

Instruction Sheet (non U.S.)

Japanese