

1-292138-6 ✓ ACTIVE

AMP CT

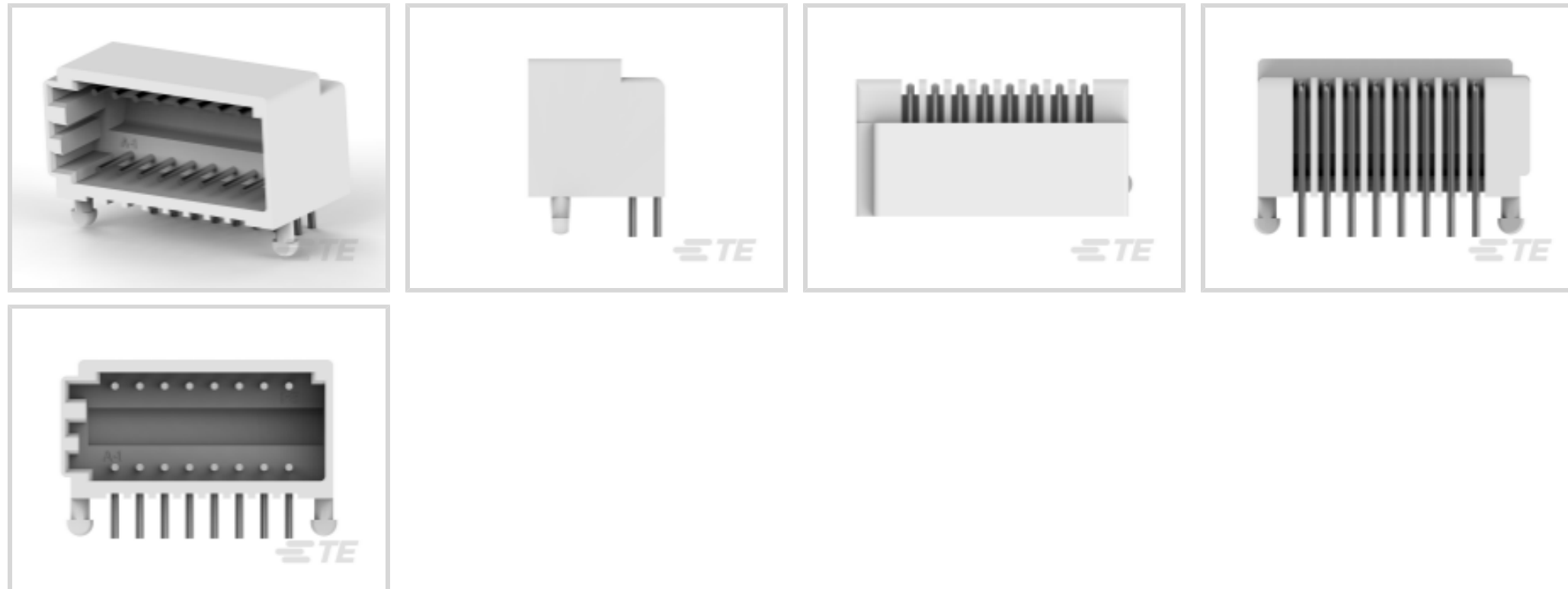
TE Internal #: 1-292138-6

PCB Mount Header, Right Angle, Wire-to-Board, 16 Position, 2 mm
[.079 in] Centerline, Fully Shrouded, Tin, Through Hole - Solder,
AMP CT

[View on TE.com >](#)



Connectors > PCB Connectors > PCB Headers & Receptacles > CT 2mm Dbl Row Assembly: Horizontal



PCB Connector Assembly Type: **PCB Mount Header**

PCB Mount Orientation: **Right Angle**

Connector System: **Wire-to-Board**

Number of Positions: **16**

Number of Rows: **2**

[All CT 2mm Dbl Row Assembly: Horizontal \(9\)](#)

Features

Electrical Characteristics

| | |
|-------------------|---------|
| Operating Voltage | 125 VDC |
|-------------------|---------|

Dimensions

| | |
|-----------------------------|------------------|
| Row-to-Row Spacing | 6.5 mm[.256 in] |
| Connector Width | 11.1 mm[.437 in] |
| PCB Thickness (Recommended) | 1.6 mm[.063 in] |
| Connector Height | 11 mm[.433 in] |
| Connector Length | 21.9 mm[.862 in] |

Packaging Features

| | |
|--------------------|-----------|
| Packaging Quantity | 200 |
| Packaging Method | Tray, Box |

Industry Standards

| | |
|---|---------|
| Compatible With Agency/Standards Products | UL, CSA |
|---|---------|



| | |
|---|-----------------------|
| Compatible With Approved Standards Products | UL E28476, CSA LR7189 |
|---|-----------------------|

| | |
|------------------------|----------|
| UL Flammability Rating | UL 94V-0 |
|------------------------|----------|

Operation/Application

| | |
|--------------------------|----------------------|
| Assembly Process Feature | Pick and Place Cover |
|--------------------------|----------------------|

| | |
|---------------------|----------------|
| Circuit Application | Power & Signal |
|---------------------|----------------|

Mechanical Attachment

| | |
|------------------|---------|
| Mating Retention | Without |
|------------------|---------|

| | |
|-----------------------|--------------|
| Mating Alignment Type | Polarization |
|-----------------------|--------------|

| | |
|--------------------------|-----------|
| PCB Mount Retention Type | Boardlock |
|--------------------------|-----------|

| | |
|---------------------|------|
| PCB Mount Retention | With |
|---------------------|------|

| | |
|---------------------|------|
| PCB Mount Alignment | With |
|---------------------|------|

| | |
|-------------------------|-------------|
| Connector Mounting Type | Board Mount |
|-------------------------|-------------|

| | |
|------------------|------|
| Mating Alignment | With |
|------------------|------|

Termination Features

| | |
|----------------------------------|----------------|
| Termination Post & Tail Diameter | .6 mm[.024 in] |
|----------------------------------|----------------|

| | |
|--------------------------------|-----------------|
| Termination Post & Tail Length | 3.2 mm[.126 in] |
|--------------------------------|-----------------|

| | |
|---------------------------|-----------------------|
| Termination Method to PCB | Through Hole - Solder |
|---------------------------|-----------------------|

Contact Features

| | |
|---------------------|----------------|
| Mating Pin Diameter | .6 mm[.024 in] |
|---------------------|----------------|

| | |
|---|---------------------------|
| PCB Contact Termination Area Plating Material Thickness | 1 μ m[39.37 μ in] |
|---|---------------------------|

| | |
|----------------------|----------------|
| Contact Shape & Form | Rounded, Round |
|----------------------|----------------|

| | |
|----------------|--------|
| Contact Layout | Inline |
|----------------|--------|

| | |
|----------------------------|-----------------|
| Contact Mating Area Length | 4.7 mm[.185 in] |
|----------------------------|-----------------|

| | |
|-----------------------|-------|
| Contact Base Material | Brass |
|-----------------------|-------|

| | |
|---|-----|
| PCB Contact Termination Area Plating Material | Tin |
|---|-----|

| | |
|---|--------|
| Contact Mating Area Plating Material Finish | Bright |
|---|--------|

| | |
|--------------------------------------|-----|
| Contact Mating Area Plating Material | Tin |
|--------------------------------------|-----|

| | |
|--------------|-----|
| Contact Type | Pin |
|--------------|-----|

| | |
|------------------------------|-----|
| Contact Current Rating (Max) | 4 A |
|------------------------------|-----|

Housing Features

| | |
|------------------|----------|
| Housing Material | 66 Nylon |
|------------------|----------|

| | |
|--------------------|---------------|
| Centerline (Pitch) | 2 mm[.079 in] |
|--------------------|---------------|



Product Type Features

| | |
|-----------------------------------|-----------------------|
| PCB Connector Assembly Type | PCB Mount Header |
| Connector System | Wire-to-Board |
| Header Type | Fully Shrouded |
| Sealable | No |
| Connector & Contact Terminates To | Printed Circuit Board |

Configuration Features

| | |
|-----------------------|-------------|
| PCB Mount Orientation | Right Angle |
| Number of Positions | 16 |
| Number of Rows | 2 |

Body Features

| | |
|-----------------------|---------|
| Primary Product Color | Natural |
|-----------------------|---------|

Usage Conditions

| | |
|-----------------------------|----------------------------|
| Operating Temperature Range | -30 – 105 °C[-22 – 221 °F] |
|-----------------------------|----------------------------|

Other

| | |
|--------------------|-----------|
| EU RoHS Compliance | Compliant |
| EU ELV Compliance | Compliant |

Product Compliance

[For compliance documentation, visit the product page on TE.com>](#)

| | |
|---|---|
| EU RoHS Directive 2011/65/EU | Compliant |
| EU ELV Directive 2000/53/EC | Compliant |
| China RoHS 2 Directive MIIT Order No 32, 2016 | No Restricted Materials Above Threshold |
| EU REACH Regulation (EC) No. 1907/2006 | Current ECHA Candidate List: JUNE 2024 (241) Candidate List Declared Against: JUNE 2024 (241) Does not contain REACH SVHC |
| Halogen Content | Low Halogen - Br, Cl, F, I < 900 ppm per homogenous material. Also BFR/CFR/PVC Free |
| Solder Process Capability | Wave solder capable to 265°C |

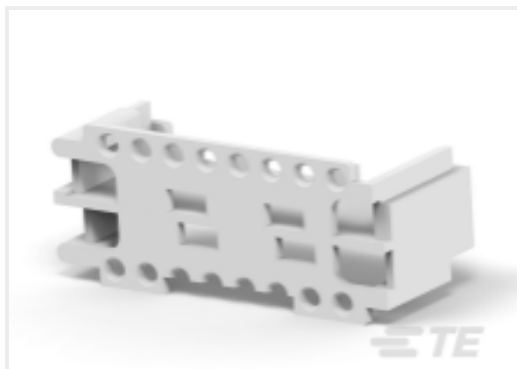
Product Compliance Disclaimer

This information is provided based on reasonable inquiry of our suppliers and represents our current actual knowledge based on the information they provided. This information is subject to change. The part numbers that TE has identified as



EU RoHS compliant have a maximum concentration of 0.1% by weight in homogenous materials for lead, hexavalent chromium, mercury, PBB, PBDE, DBP, BBP, DEHP, DIBP, and 0.01% for cadmium, or qualify for an exemption to these limits as defined in the Annexes of Directive 2011/65/EU (RoHS2). Finished electrical and electronic equipment products will be CE marked as required by Directive 2011/65/EU. Components may not be CE marked. Additionally, the part numbers that TE has identified as EU ELV compliant have a maximum concentration of 0.1% by weight in homogenous materials for lead, hexavalent chromium, and mercury, and 0.01% for cadmium, or qualify for an exemption to these limits as defined in the Annexes of Directive 2000/53/EC (ELV). Regarding the REACH Regulation, the information TE provides on SVHC in articles for this part number is based on the latest European Chemicals Agency (ECHA) 'Guidance on requirements for substances in articles' posted at this URL: <https://echa.europa.eu/guidance-documents/guidance-on-reach>

Compatible Parts



TE Part # 1-179472-6
CT DBL ROW HOLDER, CRIMP, 16P, NA



TE Part # 1-175133-6
CT DOUBLE ROW 16P HOLDER NATU.

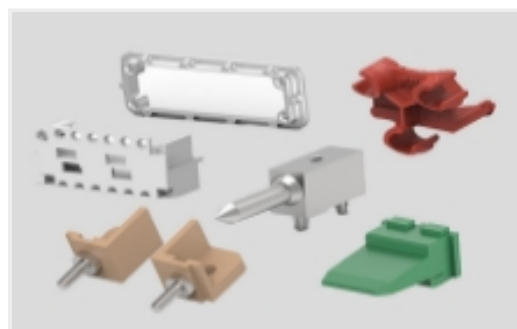


TE Part # 1-179608-6
CT DBL ROW HOLDER, MT, 16P, NA

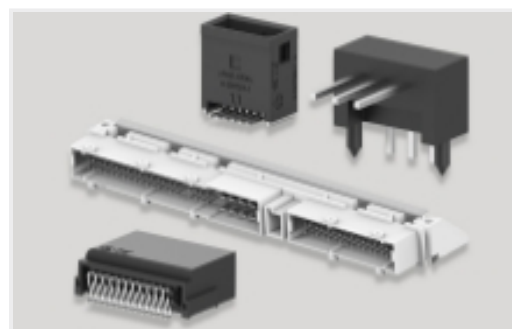
Also in the Series | AMP CT



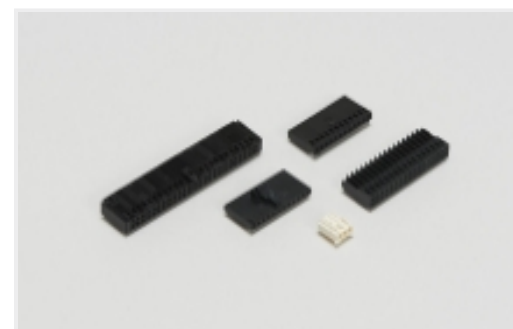
Connector Contacts(8)



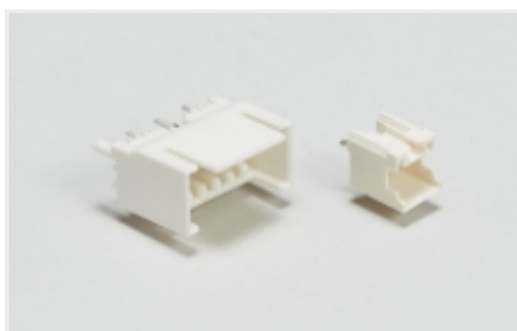
Connector Hardware(46)



PCB Headers & Receptacles(756)

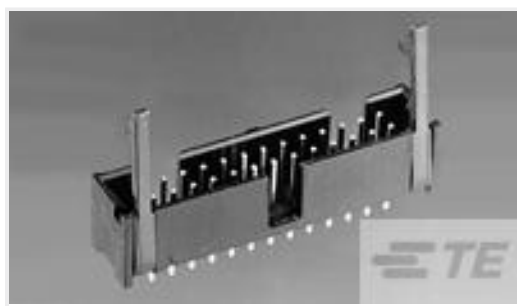


Wire-to-Board Connector Assemblies & Housings(255)

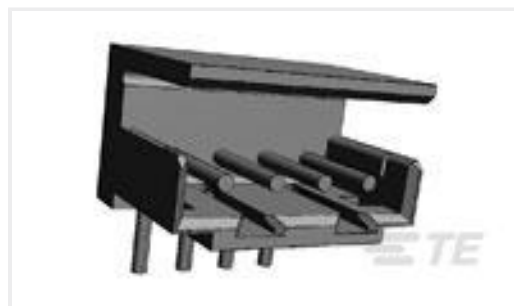


Wire-to-Board Headers & Receptacles (756)

Customers Also Bought



TE Part #104130-2
014 LOPRO HDR RA 30DP LATCH



TE Part #1-292250-2
CT P/HDR BOX H ASSY 12P W/KINK



TE Part #1-179228-0
CT CRIMP-2 REC HSG 10P NATURAL



TE Part #1-1469492-3
MULTIGIG RT 9MM GUIDE/ESD 90 DEG



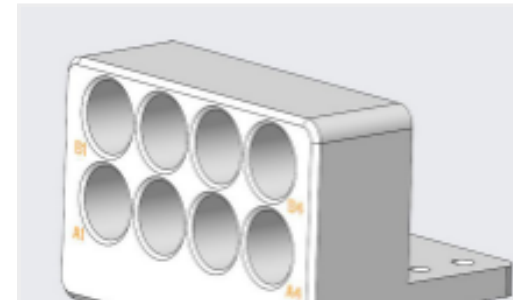
TE Part #3-292208-8
MINI CT D/R DIP 38P V NAT



TE Part #1981584-1
MICRO USB, TYPE A/B, GRAY



TE Part #1410189-3
MULTIGIG RT T2 7RW H-LFT,ET2



TE Part #2101924-4
8 POS PCB MNT RF MODULE W/
PINS & MARK



TE Part #6609006-8
3EJS1=F8027



TE Part #2157553-1
RF BACKPLANE MODULE 8 POS

Documents

Product Drawings

[CT DOUBLE ROW ASSY H 16P HDR N](#)

English

CAD Files

[3D PDF](#)

3D

Customer View Model

[ENG_CVM_CVM_1-292138-6_O.2d_dxf.zip](#)

English

Customer View Model

[ENG_CVM_CVM_1-292138-6_O.3d_igs.zip](#)

English

Customer View Model

[ENG_CVM_CVM_1-292138-6_O.3d_stp.zip](#)

English

By downloading the CAD file I accept and agree to the [Terms and Conditions](#) of use.

Product Specifications



[Application Specification](#)

English

[Crimping of AMP 2.0mm Pitch, CT Crimp Typell Rec Contact](#)

English

[Application Specification](#)

English