



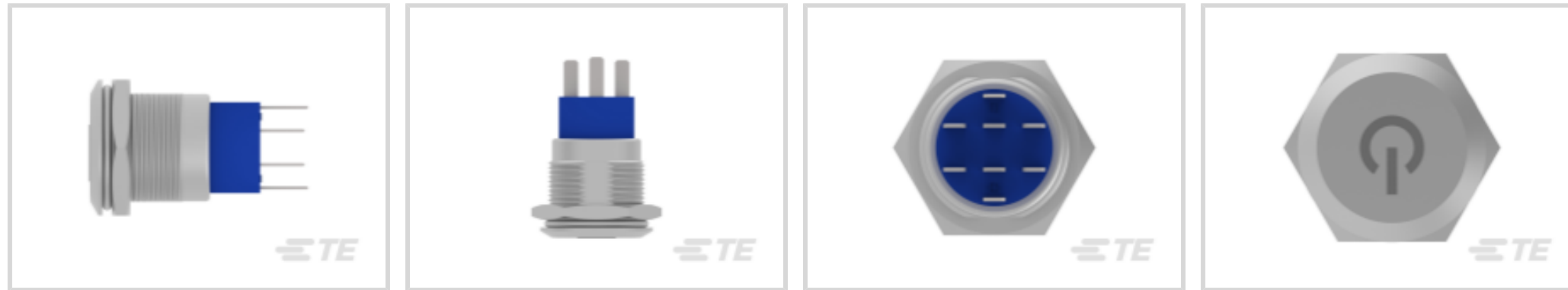
Alcoswitch | Alcoswitch AV19

TE Internal #: 1-2316366-7

Anti-Vandal Switch, Double Pole - Single Throw Configuration (Pole-Throw), Single Actuator, Flush Actuator, Illuminated, Alcoswitch AV19

[View on TE.com >](#)

Switches > Push Button Switches



Push Button Switch Product Type: **Anti-Vandal Switch**  
 Configuration (Pole-Throw): **Double Pole - Single Throw**  
 Number of Actuators: **Single**  
 Actuator Profile: **Flush**  
 Bushing Style: **Threaded**

## Features

### Industry Standards

IP Rating	IP67
-----------	------

### Contact Features

Contact Base Material	Copper
Switch Contact Plating Material	Silver

### Body Features

Case Material	PBT
Product Orientation	Vertical
Actuator Force	357 g[12.6 oz]
Actuator Profile	Flush
Bushing Style	Threaded

### Product Type Features

Switch Connection Type	Wire Lugs
Push Button Switch Product Type	Anti-Vandal Switch
Illuminated	With
Actuator Style	Round Actuator

### Configuration Features

Configuration (Pole-Throw)	Double Pole - Single Throw
----------------------------	----------------------------



Number of Actuators	Single
Snap Action	Without
Support Bracket	Without
Switch Feedback Type	Auditory
Operating Function	Momentary

**Electrical Characteristics**

Contact Current Rating	3 A
Operating Voltage Range	250 VAC

**Housing Features**

Process Sealed	Yes
----------------	-----

**Other**

EU RoHS Compliance	Compliant with Exemptions
EU ELV Compliance	Compliant with Exemptions

**Product Compliance**

[For compliance documentation, visit the product page on TE.com>](#)

EU RoHS Directive 2011/65/EU	Compliant with Exemptions
EU ELV Directive 2000/53/EC	Compliant with Exemptions
China RoHS 2 Directive MIIT Order No 32, 2016	Restricted Materials Above Threshold
EU REACH Regulation (EC) No. 1907/2006	Current ECHA Candidate List: JUNE 2024 (241) Candidate List Declared Against: JUNE 2024 (241) SVHC > Threshold: Pb (4% in Component Part) <b>Article Safe Usage Statements:</b> Do not eat, drink or smoke when using this product. Wash thoroughly after handling. Recycle if possible and dispose of the article by following all applicable governmental regulations relevant to your geographic location.
Halogen Content	Low Halogen - Br, Cl, F, I < 900 ppm per homogenous material. Also BFR/CFR/PVC Free
Solder Process Capability	Not reviewed for solder process capability

Product Compliance Disclaimer

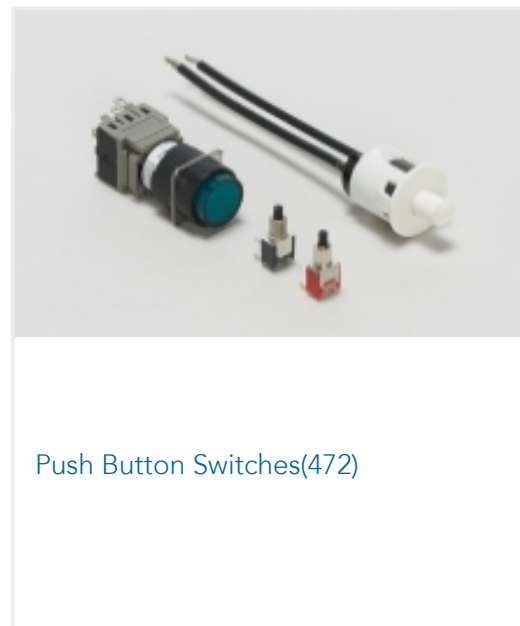
This information is provided based on reasonable inquiry of our suppliers and represents our current actual knowledge based on the information they provided. This information is subject to change. The part numbers that TE has identified as EU RoHS compliant have a maximum concentration of 0.1% by weight in homogenous materials for lead, hexavalent chromium, mercury, PBB, PBDE, DBP, BBP, DEHP, DIBP, and 0.01% for cadmium, or qualify for an exemption to these limits as defined in the Annexes of Directive 2011/65/EU (RoHS2). Finished electrical and electronic equipment products will be CE marked as required by Directive 2011/65/EU. Components may not be CE marked. Additionally, the part numbers that TE has identified as EU ELV compliant have a maximum concentration of 0.1% by weight in homogenous

materials for lead, hexavalent chromium, and mercury, and 0.01% for cadmium, or qualify for an exemption to these limits as defined in the Annexes of Directive 2000/53/EC (ELV). Regarding the REACH Regulation, the information TE provides on SVHC in articles for this part number is based on the latest European Chemicals Agency (ECHA) 'Guidance on requirements for substances in articles' posted at this URL: <https://echa.europa.eu/guidance-documents/guidance-on-reach>

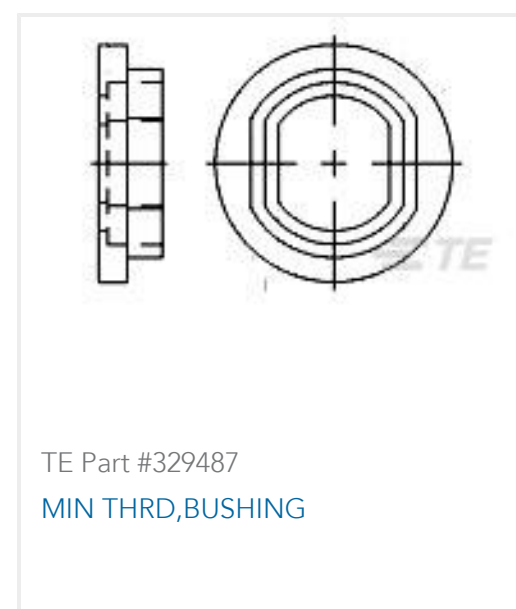
## Compatible Parts



## Also in the Series | Alcoswitch AV19



## Customers Also Bought





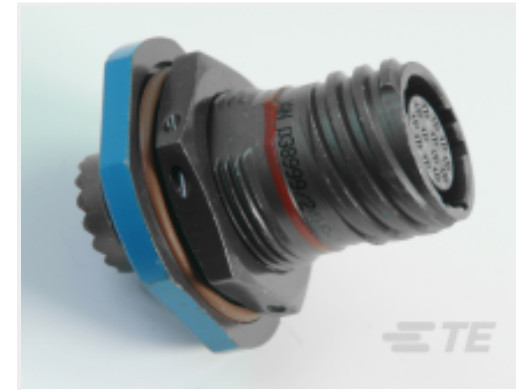
TE Part #ZPF000000000008208  
983-6KE 10-06 PN-L



TE Part #016897-000  
101A031-25/86-0



TE Part #2-330312-2  
MINIATURE THREADED  
RECEPTACLES



TE Part #YACT24JD18AN000000  
JAM NUT RECEPTACLE



TE Part #ZPF0000000000015349  
DMC-M 44-01 A1064



TE Part #YDTS20T17-26BNV001  
RECP ASSY

## Documents

### Product Drawings

[AV19 DPM 3A POWER LOGO R&Y 12V](#)

English

### CAD Files

Customer View Model

[ENG\\_CVM\\_CVM\\_1-2316366-7\\_A.3d\\_igs.zip](#)

English

Customer View Model

[ENG\\_CVM\\_CVM\\_1-2316366-7\\_A.3d\\_stp.zip](#)

English

Customer View Model

[ENG\\_CVM\\_CVM\\_1-2316366-7\\_A.2d\\_dxf.zip](#)

English

### 3D PDF

3D

By downloading the CAD file I accept and agree to the [Terms and Conditions](#) of use.

### Datasheets & Catalog Pages

[ALCOSWITCH Anti-Vandal Switch](#)

English

### Agency Approvals

[UL Report](#)

English