

35604K7JT ✓ ACTIVE

CGS | CGS 3560

TE Internal #: 1-2176408-6

4.7K ohm, Surface Mount Power Resistor, Thick Metal Film, 6 W, 5 %, ±100 ppm/°C, Solder, 2 Terminations, 1.1 mm [.043 in] Height, CGS 3560

[View on TE.com >](#)



Passive Components > Resistors > Surface Mount Resistors



Resistance Value: 4.7K  $\Omega$

Resistor Type: Power Resistor

Element Type: Thick Metal Film

Power Rating: 6 W

Resistance Class: 1k $\Omega$  – 1M $\Omega$

## Features

### Electrical Characteristics

Operating Voltage	300 V
Resistance Value	4.7K $\Omega$
Power Rating	6 W
Resistance Class	1k $\Omega$ – 1M $\Omega$
Passive Component Tolerance	5 %

### Product Type Features

Resistor Type	Power Resistor
Element Type	Thick Metal Film

### Configuration Features

Number of Resistors	1
---------------------	---

### Termination Features

Surface Mount Resistor Termination Type	Solder
Number of Terminations	2

### Dimensions

Product Height	1.1 mm[.043 in]
Product Length	11.6 mm[.457 in]
Product Width	6.85 mm[.27 in]

### Usage Conditions

Temperature Coefficient	±100 ppm/°C
-------------------------	-------------

### Packaging Features

Packaging Method	Taped & Reeled
------------------	----------------

### Other

EU RoHS Compliance	Compliant with Exemptions
EU ELV Compliance	Compliant with Exemptions

### Product Compliance

[For compliance documentation, visit the product page on TE.com>](#)

EU RoHS Directive 2011/65/EU	Compliant with Exemptions
EU ELV Directive 2000/53/EC	Compliant with Exemptions
China RoHS 2 Directive MIIT Order No 32, 2016	Restricted Materials Above Threshold
EU REACH Regulation (EC) No. 1907/2006	Current ECHA Candidate List: JUNE 2024 (241) Candidate List Declared Against: JUNE 2023 (235) Does not contain REACH SVHC
Halogen Content	Low Halogen - Br, Cl, F, I < 900 ppm per homogenous material. Also BFR/CFR/PVC Free
Solder Process Capability	Reflow solder capable to 260°C

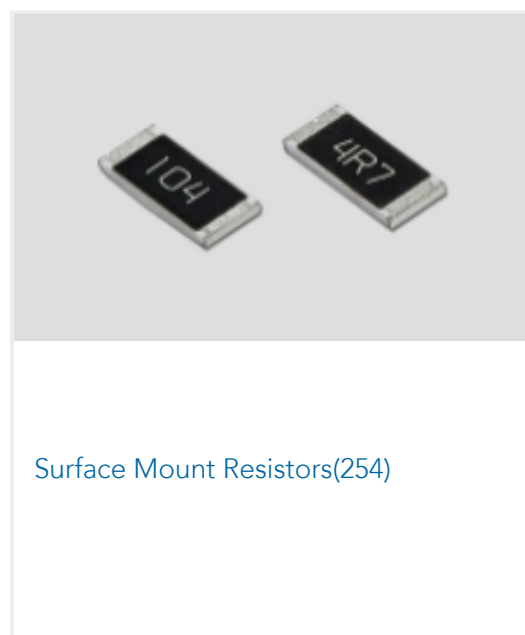
#### Product Compliance Disclaimer

This information is provided based on reasonable inquiry of our suppliers and represents our current actual knowledge based on the information they provided. This information is subject to change. The part numbers that TE has identified as EU RoHS compliant have a maximum concentration of 0.1% by weight in homogenous materials for lead, hexavalent chromium, mercury, PBB, PBDE, DBP, BBP, DEHP, DIBP, and 0.01% for cadmium, or qualify for an exemption to these limits as defined in the Annexes of Directive 2011/65/EU (RoHS2). Finished electrical and electronic equipment products will be CE marked as required by Directive 2011/65/EU. Components may not be CE marked. Additionally, the part numbers that TE has identified as EU ELV compliant have a maximum concentration of 0.1% by weight in homogenous materials for lead, hexavalent chromium, and mercury, and 0.01% for cadmium, or qualify for an exemption to these limits as defined in the Annexes of Directive 2000/53/EC (ELV). Regarding the REACH Regulation, the information TE provides on SVHC in articles for this part number is based on the latest European Chemicals Agency (ECHA) 'Guidance on requirements for substances in articles' posted at this URL: <https://echa.europa.eu/guidance-documents/guidance-on-reach>

## Compatible Parts

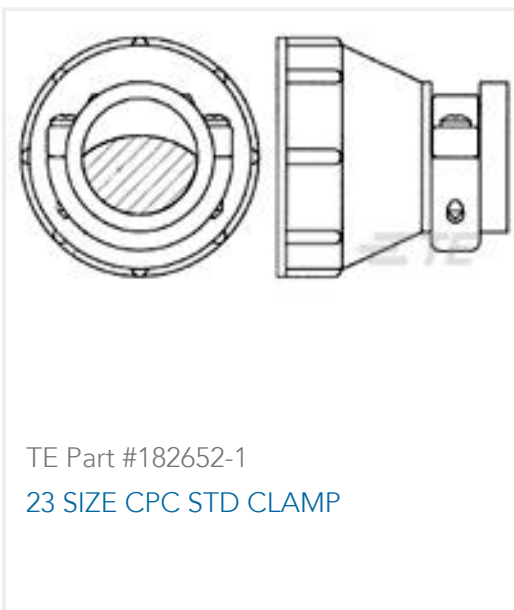


## Also in the Series | [CGS 3560](#)



## Customers Also Bought





TE Part #182652-1  
23 SIZE CPC STD CLAMP



TE Part #182923-1  
CPC PLUG ASSY SIZE 23-37



TE Part #1625868-2  
RP 2A 0.25W 13K 0.1% 25PPM 1K RL



TE Part #1-66105-9  
III+ SKT,24-20,TIN,LP



TE Part #3-2176093-1  
RP 2A 0.25W 19K6 0.1% 25PPM 1K RL



TE Part #4-2176092-2  
RP 2A 0.25W 1K91 0.1% 25PPM 1K RL

## Documents

### Product Drawings

[3560 4K7 5%](#)

English

### CAD Files

[3D PDF](#)

3D

Customer View Model

[ENG\\_CVM\\_CVM\\_1-2176408-6\\_A.2d\\_dxf.zip](#)

English

Customer View Model

[ENG\\_CVM\\_CVM\\_1-2176408-6\\_A.3d\\_igs.zip](#)

English

Customer View Model

[ENG\\_CVM\\_CVM\\_1-2176408-6\\_A.3d\\_stp.zip](#)

English

By downloading the CAD file I accept and agree to the [Terms and Conditions](#) of use.

### Datasheets & Catalog Pages

[SMD HIGH POWER RESISTORS - TYPE 3560 SERIES](#)

English