

CRGP2010F180R ✓ ACTIVE

Neohm | Neohm CRGP

TE Internal #: 1-2176330-6

180 ohm, Surface Mount General Purpose Resistor, Thick Film, 2010, 1.25 W, 1 %, ±100 ppm/°C, Solder, 2 Terminations, Neohm CRGP

[View on TE.com >](#)



Passive Components > Resistors > Surface Mount Resistors



Resistance Value: 180 Ω

Resistor Type: **General Purpose Resistor**

Element Type: **Thick Film**

Package Size Code: **2010**

Power Rating: **1.25 W**

Features

Electrical Characteristics

Operating Voltage	400 V
Resistance Value	180 Ω
Power Rating	1.25 W
Resistance Class	Up to 1kΩ
Passive Component Tolerance	1 %

Product Type Features

Resistor Type	General Purpose Resistor
Element Type	Thick Film
Package Size Code	2010

Configuration Features

Number of Resistors	1
---------------------	---

Termination Features

Surface Mount Resistor Termination Type	Solder
Number of Terminations	2

Dimensions

Product Height	.55 mm[.022 in]
Product Length	5 mm[.197 in]



Product Width	2.5 mm[.098 in]
---------------	-----------------

Usage Conditions

Temperature Coefficient	±100 ppm/°C
-------------------------	-------------

Packaging Features

Packaging Method	Taped & Reeled
------------------	----------------

Other

EU RoHS Compliance	Compliant with Exemptions
--------------------	---------------------------

EU ELV Compliance	Not Compliant
-------------------	---------------

Product Compliance

[For compliance documentation, visit the product page on TE.com>](#)

EU RoHS Directive 2011/65/EU	Compliant with Exemptions
------------------------------	---------------------------

EU ELV Directive 2000/53/EC	Compliant with Exemptions
-----------------------------	---------------------------

China RoHS 2 Directive MIIT Order No 32, 2016	Restricted Materials Above Threshold
---	--------------------------------------

EU REACH Regulation (EC) No. 1907/2006	Current ECHA Candidate List: JUNE 2024 (241) Candidate List Declared Against: JUNE 2024 (241) Does not contain REACH SVHC
--	---

Halogen Content	Low Halogen - Br, Cl, F, I < 900 ppm per homogenous material. Also BFR/CFR/PVC Free
-----------------	---

Solder Process Capability	Reflow solder capable to 260°C
---------------------------	--------------------------------

Product Compliance Disclaimer

This information is provided based on reasonable inquiry of our suppliers and represents our current actual knowledge based on the information they provided. This information is subject to change. The part numbers that TE has identified as EU RoHS compliant have a maximum concentration of 0.1% by weight in homogenous materials for lead, hexavalent chromium, mercury, PBB, PBDE, DBP, BBP, DEHP, DIBP, and 0.01% for cadmium, or qualify for an exemption to these limits as defined in the Annexes of Directive 2011/65/EU (RoHS2). Finished electrical and electronic equipment products will be CE marked as required by Directive 2011/65/EU. Components may not be CE marked. Additionally, the part numbers that TE has identified as EU ELV compliant have a maximum concentration of 0.1% by weight in homogenous materials for lead, hexavalent chromium, and mercury, and 0.01% for cadmium, or qualify for an exemption to these limits as defined in the Annexes of Directive 2000/53/EC (ELV). Regarding the REACH Regulation, the information TE provides on SVHC in articles for this part number is based on the latest European Chemicals Agency (ECHA) 'Guidance on requirements for substances in articles' posted at this URL: <https://echa.europa.eu/guidance-documents/guidance-on-reach>

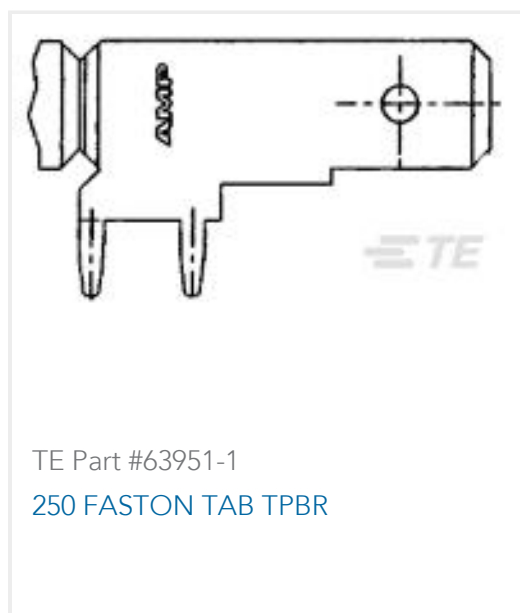
Compatible Parts



Also in the Series | Neohm CRGP



Customers Also Bought





Documents

Product Drawings

[CRGP 2010 180R 1%](#)

English

CAD Files

[3D PDF](#)

3D

Customer View Model

[ENG_CVM_CVM_1-2176330-6_BA.2d_dxf.zip](#)

English

Customer View Model

[ENG_CVM_CVM_1-2176330-6_BA.3d_igs.zip](#)

English

Customer View Model

[ENG_CVM_CVM_1-2176330-6_BA.3d_stp.zip](#)

English

By downloading the CAD file I accept and agree to the [Terms and Conditions](#) of use.

Datasheets & Catalog Pages

[CRGP Data Sheet](#)

English