

RN73C2A698KBTDF ✓ ACTIVE

Holsworthy | Holsworthy RN73

TE Internal #: 1-2176264-4

698K ohm, Surface Mount Precision Resistor, Thin Film, 0805, .1 W, .1 %, ±10 ppm/°C, Solder, 2 Terminations, .55 mm [.022 in] Height, Holsworthy RN73

[View on TE.com >](#)



Passive Components > Resistors > Surface Mount Resistors



Resistance Value: **698K Ω**

Resistor Type: **Precision Resistor**

Element Type: **Thin Film**

Package Size Code: **0805**

Power Rating: **.1 W**

Features

Industry Standards

Moisture Sensitivity Level	1
----------------------------	---

Electrical Characteristics

Operating Voltage	100 V
Resistance Value	698K Ω
Power Rating	.1 W
Resistance Class	1k Ω – 1M Ω
Passive Component Tolerance	.1 %

Product Type Features

Resistor Type	Precision Resistor
Element Type	Thin Film
Package Size Code	0805

Configuration Features

Number of Resistors	1
---------------------	---



Termination Features

Surface Mount Resistor Termination Type	Solder
Number of Terminations	2

Dimensions

Product Height	.55 mm[.022 in]
Product Length	2 mm[.079 in]
Product Width	1.25 mm[.049 in]

Usage Conditions

Temperature Coefficient	±10 ppm/°C
-------------------------	------------

Packaging Features

Packaging Method	Taped & Reeled
------------------	----------------

Other

EU RoHS Compliance	Compliant
EU ELV Compliance	Compliant

Product Compliance

[For compliance documentation, visit the product page on TE.com>](#)

EU RoHS Directive 2011/65/EU	Compliant
EU ELV Directive 2000/53/EC	Compliant
China RoHS 2 Directive MIIT Order No 32, 2016	No Restricted Materials Above Threshold
EU REACH Regulation (EC) No. 1907/2006	Current ECHA Candidate List: JUNE 2024 (241) Candidate List Declared Against: JUNE 2024 (241) Does not contain REACH SVHC
Halogen Content	Low Halogen - Br, Cl, F, I < 900 ppm per homogenous material. Also BFR/CFR/PVC Free
Solder Process Capability	Reflow solder capable to 260°C

Product Compliance Disclaimer

This information is provided based on reasonable inquiry of our suppliers and represents our current actual knowledge based on the information they provided. This information is subject to change. The part numbers that TE has identified as EU RoHS compliant have a maximum concentration of 0.1% by weight in homogenous materials for lead, hexavalent chromium, mercury, PBB, PBDE, DBP, BBP, DEHP, DIBP, and 0.01% for cadmium, or qualify for an exemption to these limits as defined in the Annexes of Directive 2011/65/EU (RoHS2). Finished electrical and electronic equipment products will be CE marked as required by Directive 2011/65/EU. Components may not be CE marked. Additionally, the part numbers that TE has identified as EU ELV compliant have a maximum concentration of 0.1% by weight in homogenous materials for lead, hexavalent chromium, and mercury, and 0.01% for cadmium, or qualify for an exemption to these limits

as defined in the Annexes of Directive 2000/53/EC (ELV). Regarding the REACH Regulation, the information TE provides on SVHC in articles for this part number is based on the latest European Chemicals Agency (ECHA) 'Guidance on requirements for substances in articles' posted at this URL: <https://echa.europa.eu/guidance-documents/guidance-on-reach>

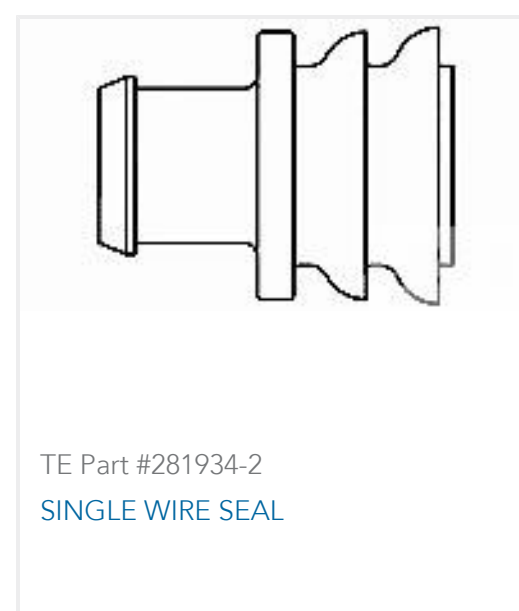
Compatible Parts



Also in the Series | Holsworthy RN73



Customers Also Bought



Documents

RN73C2A698KBTDF

698K ohm, Surface Mount Precision Resistor, Thin Film, 0805, .1 W, .1 %, ± 10 ppm/ $^{\circ}$ C,
Solder, 2 Terminations, .55 mm [.022 in] Height, Holsworthy RN73



Product Drawings

[RN 0805 698K 0.1% 10PPM 1K RL](#)

English

Datasheets & Catalog Pages

[High Precision Resistors \(SMD\) - Type RN73 Series - Tyco Electronics Passives](#)

English