



IHV

TE Internal #: 1-2071407-1

General Purpose Contactor, DC, 1 Form X SPST-NO-DM, 50 A  
 Contact Rating, 12 VDC Coil Voltage, 5.5 W Coil Power, Panel  
 Mount, Hermetically Sealed, IHV

[View on TE.com >](#)

Relays & Contactors > Electromechanical Relays



Relay & Contactor Type: **General Purpose Contactor**

Contact Current Rating: **50 A**

Contact Arrangement: **1 Form X SPST-NO-DM**

Current Type: **DC**

Coil Voltage Rating: **12 VDC**

**Features**

**Product Type Features**

Relay & Contactor Type	General Purpose Contactor
------------------------	---------------------------

**Configuration Features**

Auxiliary Switch Contact Arrangement	Without
Contact Arrangement	1 Form X SPST-NO-DM
Contact Number of Poles	3

**Electrical Characteristics**

Contact Switching Voltage (Max)	900 VDC
Contact Current Rating	50 A
Coil Voltage Rating	12 VDC
Coil Resistance	26 Ω
Coil Power Rating DC	5.5 W
Insulation Initial Dielectric Between Contacts & Coil	2000 Vrms

**Body Features**

Enclosure Type	Hermetically Sealed
----------------	---------------------



### Contact Features

Contact Material	Copper
------------------	--------

### Termination Features

Main Termination & Connection Type	M5 Female
Coil Termination & Connection Type	Flying Leads

### Mechanical Attachment

Torque (Main)	30 – 40 in-lbs
Product Mounting Feature Type	Mounting Plate, Screw
Product Mount Type	Panel Mount

### Dimensions

Product Width	39.5 mm[1.555 in]
Product Length	53.9 mm[2.122 in]
Product Height	58 mm[2.283 in]

### Usage Conditions

Operating Temperature Range	-40 – 85 °C[-40 – 185 °F]
Environmental Ambient Temperature (Max)	85 °C[185 °F]

### Operation/Application

Current Type	DC
--------------	----

### Packaging Features

Packaging Method	Box
------------------	-----

### Other

Contact Current Class	>32 – ≤50 A
Coil Power Rating Class	>3 – ≤10 W
Height Class (Mechanical)	>45 – ≤70 mm[>1.772 – ≤2.756 in]
Length Class (Mechanical)	>45 – ≤70 mm[>1.772 – ≤2.756 in]
Width Class (Mechanical)	>33 mm[>1.299 in]

### Product Compliance

[For compliance documentation, visit the product page on TE.com>](#)

EU RoHS Directive 2011/65/EU	Compliant
EU ELV Directive 2000/53/EC	Compliant



China RoHS 2 Directive MIIT Order No 32, 2016	有害物质含量符合标准要求 No Restricted Substance(s) Above Threshold
EU REACH Regulation (EC) No. 1907/2006	Current ECHA Candidate List: JUNE 2025 (250) Candidate List Declared Against: JAN 2024 (240) Does not contain REACH SVHC
Halogen Content	Low Halogen - Br, Cl, F < 900 ppm per homogenous material. Also BFR/CFR/PVC Free
Solder Process Capability	Not reviewed for solder process capability

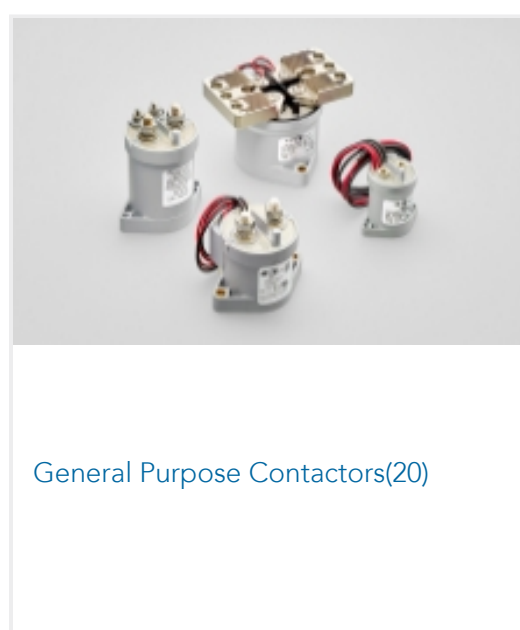
Product Compliance Disclaimer

This information is provided based on reasonable inquiry of our suppliers and represents our current actual knowledge based on the information they provided. This information is subject to change. The part numbers that TE has identified as EU RoHS compliant have a maximum concentration of 0.1% by weight in homogenous materials for lead, hexavalent chromium, mercury, PBB, PBDE, DBP, BBP, DEHP, DIBP, and 0.01% for cadmium, or qualify for an exemption to these limits as defined in the Annexes of Directive 2011/65/EU (RoHS2). Finished electrical and electronic equipment products will be CE marked as required by Directive 2011/65/EU. Components may not be CE marked. Additionally, the part numbers that TE has identified as EU ELV compliant have a maximum concentration of 0.1% by weight in homogenous materials for lead, hexavalent chromium, and mercury, and 0.01% for cadmium, or qualify for an exemption to these limits as defined in the Annexes of Directive 2000/53/EC (ELV). Regarding the REACH Regulation, the information TE provides on SVHC in articles for this part number is based on the latest European Chemicals Agency (ECHA) 'Guidance on requirements for substances in articles' posted at this URL: <https://echa.europa.eu/guidance-documents/guidance-on-reach>

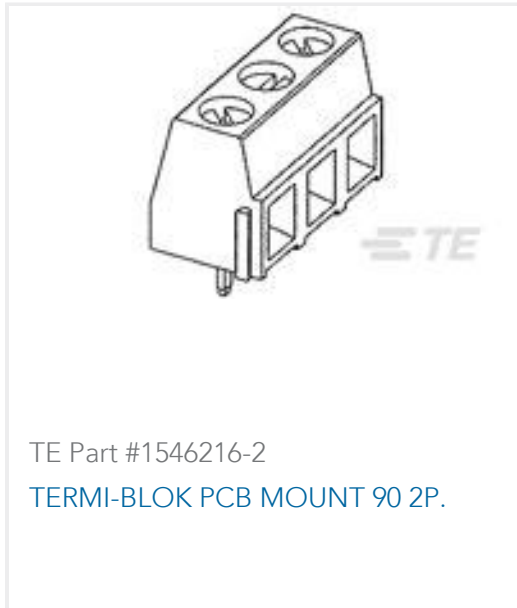
### Compatible Parts



### Also in the Series | IHV



### Customers Also Bought



## Documents

### CAD Files

[3D PDF](#)

[3D](#)

#### Customer View Model

[ENG\\_CVM\\_CVM\\_1-2071407-1\\_A3.2d\\_dxf.zip](#)

English

#### Customer View Model

[ENG\\_CVM\\_CVM\\_1-2071407-1\\_A3.3d\\_igs.zip](#)

English

#### Customer View Model

[ENG\\_CVM\\_CVM\\_1-2071407-1\\_A3.3d\\_stp.zip](#)

English

By downloading the CAD file I accept and agree to the [Terms and Conditions](#) of use.

### Datasheets & Catalog Pages

[IHV50\\_EN](#)

English

[IHV50\\_CN](#)

English

### Agency Approvals

[CQC\\_CERT\\_2017010304992699\\_C1](#)

English