

CRGH2512J47K ✓ ACTIVE

NEOHM | NEOHM CRGH

TE Internal #: 1-1879502-4

47K ohm, Thick Film, Power Resistor, 5 %, 2512, 2 W, ± 100 ppm/ $^{\circ}$ C,

Solder, 2 Terminations, .55 mm [.022 in] Height, 6.35 mm [.25 in]

Length, NEOHM CRGH

[View on TE.com >](#)



Passive Components > Resistors > Surface Mount Resistors



Resistor Type: **Power Resistor**

Element Type: **Thick Film**

Package Size Code: **2512**

Power Rating: **2 W**

Resistance Value: **47K Ω**

Features

Product Type Features

Resistor Type	Power Resistor
Element Type	Thick Film
Package Size Code	2512

Configuration Features

Number of Resistors	1
---------------------	---

Electrical Characteristics

Operating Voltage	250 V
Power Rating	2 W
Resistance Value	47K Ω
Resistance Class	1k Ω – 1M Ω
Passive Component Tolerance	5 %

Termination Features

Surface Mount Resistor Termination Type	Solder
Number of Terminations	2

Dimensions

Product Height	.55 mm[.022 in]
Product Length	6.35 mm[.25 in]
Product Width	3.2 mm[.126 in]



Usage Conditions

Temperature Coefficient	±100 ppm/°C
-------------------------	-------------

Packaging Features

Packaging Method	Taped & Reeled
------------------	----------------

Product Compliance

[For compliance documentation, visit the product page on TE.com>](#)

EU RoHS Directive 2011/65/EU	Compliant with Exemptions
EU ELV Directive 2000/53/EC	Compliant with Exemptions
China RoHS 2 Directive MIIT Order No 32, 2016	Restricted Materials Above Threshold
EU REACH Regulation (EC) No. 1907/2006	Current ECHA Candidate List: JUNE 2025 (250) Candidate List Declared Against: JAN 2025 (247) Does not contain REACH SVHC
Halogen Content	Low Halogen - Br, Cl, F < 900 ppm per homogenous material. Also BFR/CFR/PVC Free
Solder Process Capability	Reflow solder capable to 260°C

Product Compliance Disclaimer

This information is provided based on reasonable inquiry of our suppliers and represents our current actual knowledge based on the information they provided. This information is subject to change. The part numbers that TE has identified as EU RoHS compliant have a maximum concentration of 0.1% by weight in homogenous materials for lead, hexavalent chromium, mercury, PBB, PBDE, DBP, BBP, DEHP, DIBP, and 0.01% for cadmium, or qualify for an exemption to these limits as defined in the Annexes of Directive 2011/65/EU (RoHS2). Finished electrical and electronic equipment products will be CE marked as required by Directive 2011/65/EU. Components may not be CE marked. Additionally, the part numbers that TE has identified as EU ELV compliant have a maximum concentration of 0.1% by weight in homogenous materials for lead, hexavalent chromium, and mercury, and 0.01% for cadmium, or qualify for an exemption to these limits as defined in the Annexes of Directive 2000/53/EC (ELV). Regarding the REACH Regulation, the information TE provides on SVHC in articles for this part number is based on the latest European Chemicals Agency (ECHA) 'Guidance on requirements for substances in articles' posted at this URL: <https://echa.europa.eu/guidance-documents/guidance-on-reach>

Compatible Parts

TE Part # 1-1879502-0
CRGH2512 5% 33K 2W

TE Part # 9-1879510-1
CRGH0805 1% 10K 0.33W

TE Part # 3-1879523-9
CRGH2512 1% 24R9 2W

TE Part # 6-1879501-0
CRGH2512 5% 300R 2W



TE Part # 1879513-1
CRGH1206 1% 10R 0.5W

Also in the Series | NEOHM CRGH



Surface Mount Resistors(3655)

Customers Also Bought



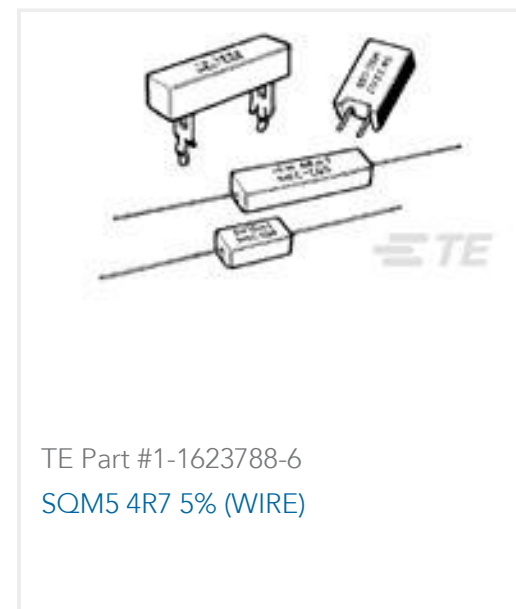
TE Part #61968-1
110 FASTON TAB TPBR



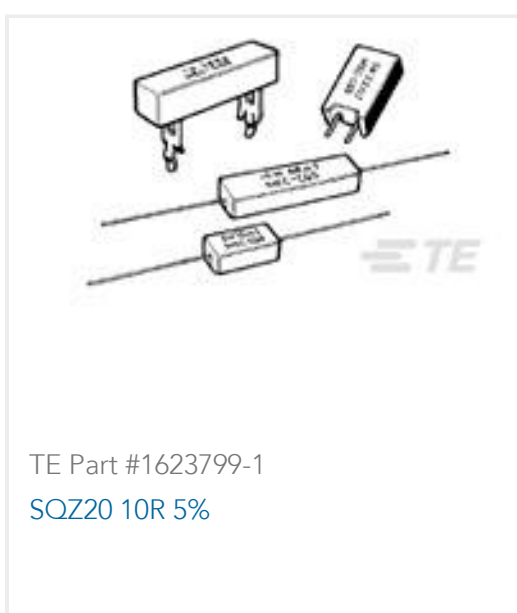
TE Part #1-66361-6
III+PIN,18-14,TIN,LP,SN



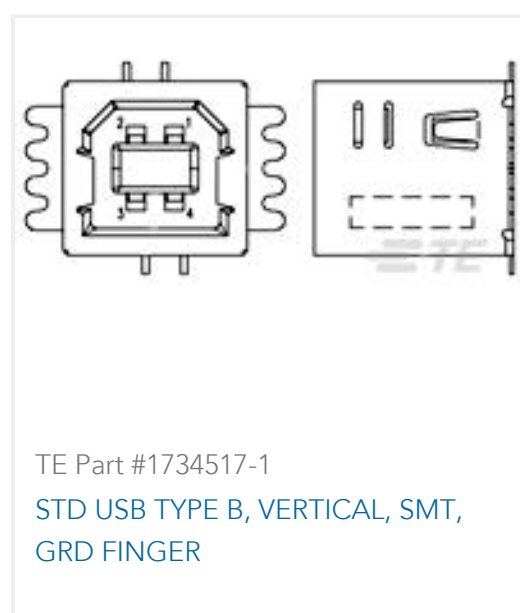
TE Part #796638-6
6POS 5.08MM CE R/A HDR,TRM BLK



TE Part #1-1623788-6
SQM5 4R7 5% (WIRE)



TE Part #1623799-1
SQZ20 10R 5%



TE Part #1734517-1
STD USB TYPE B, VERTICAL, SMT,
GRD FINGER



TE Part #9-1879501-7
CRGH2512 5% 10K 2W



TE Part #1879502-8
CRGH2512 5% 27K 2W



TE Part #1-2176186-8
CRGH1206 1% 3K3 0.5W



TE Part #6-2176231-1
3522 3K3 1% 3W



Documents

CAD Files

3D PDF

3D

Customer View Model

[ENG_CVM_CVM_1-1879502-4_BB.2d_dxf.zip](#)

English

Customer View Model

[ENG_CVM_CVM_1-1879502-4_BB.3d_igs.zip](#)

English

Customer View Model

[ENG_CVM_CVM_1-1879502-4_BB.3d_stp.zip](#)

English

By downloading the CAD file I accept and agree to the [Terms and Conditions](#) of use.

Datasheets & Catalog Pages

[1309350_PASSIVE_COMPONENT](#)

English

[High Power Thick Film Chip Resistors](#)

English