

# RR01JR91TB ✓ ACTIVE

Neohm | Neohm RR

TE Internal #: 1-1879350-6

.91 ohm, Through-Hole Power Resistor, Metal Film, 1 W, 5 %, ±300 ppm/°C, Axial-Leaded, Copper Termination, 6.8 x 2.6 mm, Ammo Packed, Neohm RR

[View on TE.com >](#)



Passive Components > Resistors > Through-Hole Resistors



Resistance Value: .91  $\Omega$

Resistor Type: **Power Resistor**

Element Type: **Metal Film**

Power Rating: **1 W**

Resistance Class: **Up to 1k $\Omega$**

## Features

### Electrical Characteristics

Operating Voltage	350 V
Resistance Value	.91 $\Omega$
Power Rating	1 W
Resistance Class	Up to 1k $\Omega$
Passive Component Tolerance	5 %

### Product Type Features

Resistor Type	Power Resistor
Element Type	Metal Film

### Configuration Features

Number of Resistors	1
---------------------	---

### Body Features

Lead Type	Axial-Leaded
-----------	--------------

### Termination Features

Termination Area Base Material	Copper
Number of Terminations	2

### Dimensions

Passive Component Dimensions	6.8 x 2.6 mm
------------------------------	--------------



### Usage Conditions

Temperature Coefficient	$\pm 300$ ppm/ $^{\circ}\text{C}$
-------------------------	-----------------------------------

### Packaging Features

Packaging Method	Ammo Packed
------------------	-------------

### Other

EU RoHS Compliance	Compliant
--------------------	-----------

EU ELV Compliance	Compliant
-------------------	-----------

### Product Compliance

[For compliance documentation, visit the product page on TE.com>](#)

EU RoHS Directive 2011/65/EU	Compliant
------------------------------	-----------

EU ELV Directive 2000/53/EC	Compliant
-----------------------------	-----------

China RoHS 2 Directive MIIT Order No 32, 2016	No Restricted Materials Above Threshold
---	---

EU REACH Regulation (EC) No. 1907/2006	Current ECHA Candidate List: JUNE 2024 (241) Candidate List Declared Against: JUNE 2024 (241) Does not contain REACH SVHC
--	---

Halogen Content	Low Halogen - Br, Cl, F, I < 900 ppm per homogenous material. Also BFR/CFR/PVC Free
-----------------	---

Solder Process Capability	Wave solder capable to 265 $^{\circ}\text{C}$
---------------------------	---

#### Product Compliance Disclaimer

This information is provided based on reasonable inquiry of our suppliers and represents our current actual knowledge based on the information they provided. This information is subject to change. The part numbers that TE has identified as EU RoHS compliant have a maximum concentration of 0.1% by weight in homogenous materials for lead, hexavalent chromium, mercury, PBB, PBDE, DBP, BBP, DEHP, DIBP, and 0.01% for cadmium, or qualify for an exemption to these limits as defined in the Annexes of Directive 2011/65/EU (RoHS2). Finished electrical and electronic equipment products will be CE marked as required by Directive 2011/65/EU. Components may not be CE marked. Additionally, the part numbers that TE has identified as EU ELV compliant have a maximum concentration of 0.1% by weight in homogenous materials for lead, hexavalent chromium, and mercury, and 0.01% for cadmium, or qualify for an exemption to these limits as defined in the Annexes of Directive 2000/53/EC (ELV). Regarding the REACH Regulation, the information TE provides on SVHC in articles for this part number is based on the latest European Chemicals Agency (ECHA) 'Guidance on requirements for substances in articles' posted at this URL: <https://echa.europa.eu/guidance-documents/guidance-on-reach>

### Compatible Parts



TE Part # 7-1879352-7  
RR02 5% 470R AMMO



TE Part # 4-1879350-9  
RR01 5% 22R AMMO



TE Part # 8-1879354-5  
RR03 5% 1K0 AMMO



TE Part # 5-1879352-5  
RR02 5% 56R AMMO



TE Part # 6-1879354-6  
RR03 5% 160R AMMO

### Also in the Series | Neohm RR



[Through-Hole Resistors\(478\)](#)

### Customers Also Bought



TE Part #1879350-5  
RR01 5% R33 AMMO



TE Part #1879350-9  
RR01 5% R47 AMMO



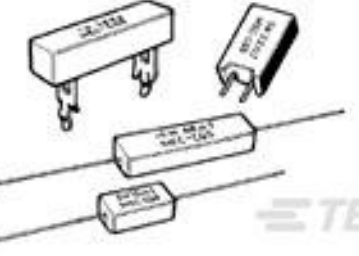
TE Part #1-1625886-9  
1W SM M/OX 5% 47K



TE Part #1-1879350-2  
RR01 5% R62 AMMO



TE Part #1-1879350-0  
RR01 5% R51 AMMO



TE Part #1-1623783-7  
SQM7 680R 5% (METAL FILM)



TE Part #292254-4  
CT RELAY HDR ASSY 4P NAT



TE Part #1-1879350-1  
RR01 5% R56 AMMO



## Documents

### CAD Files

[3D PDF](#)

[3D](#)

**Customer View Model**

[ENG\\_CVM\\_CVM\\_1-1879350-6\\_BA.2d\\_dxf.zip](#)

English

**Customer View Model**

[ENG\\_CVM\\_CVM\\_1-1879350-6\\_BA.3d\\_igs.zip](#)

English

**Customer View Model**

[ENG\\_CVM\\_CVM\\_1-1879350-6\\_BA.3d\\_stp.zip](#)

English

By downloading the CAD file I accept and agree to the [Terms and Conditions](#) of use.

### Datasheets & Catalog Pages

[4-1773460-6\\_RESISTIVE\\_SOLUTIONS\\_RAIL](#)

English

[1309350\\_PASSIVE\\_COMPONENT](#)

English

[Power Resistor - Type RR Series - Tyco Electronics Passives](#)

English

[8-1773459-4\\_POWER\\_FILTERING\\_AND\\_RESISTIVE\\_SOLUTIONS\\_FOR\\_ELEVATORS\\_AND\\_ESCALATORS](#)

English