



Neohm | Neohm CPF

TE Internal #: 1-1879216-9

78.7K ohm, Surface Mount Precision Resistor, Thin Film, 0402, .063

W, .1 %, ±25 ppm/°C, Solder, 2 Terminations, .3 mm [.012 in]

Height, Neohm CPF

[View on TE.com >](#)

Passive Components > Resistors > Surface Mount Resistors



Resistance Value: **78.7K Ω**

Resistor Type: **Precision Resistor**

Element Type: **Thin Film**

Package Size Code: **0402**

Power Rating: **.063 W**

Features

Industry Standards

| | |
|----------------------------|---|
| Moisture Sensitivity Level | 1 |
|----------------------------|---|

Electrical Characteristics

| | |
|-----------------------------|-----------|
| Operating Voltage | 25 V |
| Resistance Value | 78.7K Ω |
| Power Rating | .063 W |
| Resistance Class | 1kΩ – 1MΩ |
| Passive Component Tolerance | .1 % |

Product Type Features

| | |
|-------------------|--------------------|
| Resistor Type | Precision Resistor |
| Element Type | Thin Film |
| Package Size Code | 0402 |

Configuration Features

| | |
|---------------------|---|
| Number of Resistors | 1 |
|---------------------|---|

Termination Features

| | |
|---|--------|
| Surface Mount Resistor Termination Type | Solder |
| Number of Terminations | 2 |

Dimensions

| | |
|----------------|-----------------|
| Product Height | .3 mm [.012 in] |
|----------------|-----------------|



| | |
|----------------|---------------|
| Product Length | 1 mm[.039 in] |
| Product Width | .5 mm[.02 in] |

Usage Conditions

| | |
|-------------------------|------------|
| Temperature Coefficient | ±25 ppm/°C |
|-------------------------|------------|

Packaging Features

| | |
|------------------|----------------|
| Packaging Method | Taped & Reeled |
|------------------|----------------|

Other

| | |
|--------------------|-----------|
| EU RoHS Compliance | Compliant |
| EU ELV Compliance | Compliant |

Product Compliance

[For compliance documentation, visit the product page on TE.com>](#)

| | |
|---|---|
| EU RoHS Directive 2011/65/EU | Compliant |
| EU ELV Directive 2000/53/EC | Compliant |
| China RoHS 2 Directive MIIT Order No 32, 2016 | No Restricted Materials Above Threshold |
| EU REACH Regulation (EC) No. 1907/2006 | Current ECHA Candidate List: JUNE 2024 (241) Candidate List Declared Against: JUNE 2024 (241) Does not contain REACH SVHC |
| Halogen Content | Low Halogen - Br, Cl, F, I < 900 ppm per homogenous material. Also BFR/CFR/PVC Free |
| Solder Process Capability | Reflow solder capable to 260°C |

Product Compliance Disclaimer

This information is provided based on reasonable inquiry of our suppliers and represents our current actual knowledge based on the information they provided. This information is subject to change. The part numbers that TE has identified as EU RoHS compliant have a maximum concentration of 0.1% by weight in homogenous materials for lead, hexavalent chromium, mercury, PBB, PBDE, DBP, BBP, DEHP, DIBP, and 0.01% for cadmium, or qualify for an exemption to these limits as defined in the Annexes of Directive 2011/65/EU (RoHS2). Finished electrical and electronic equipment products will be CE marked as required by Directive 2011/65/EU. Components may not be CE marked. Additionally, the part numbers that TE has identified as EU ELV compliant have a maximum concentration of 0.1% by weight in homogenous materials for lead, hexavalent chromium, and mercury, and 0.01% for cadmium, or qualify for an exemption to these limits as defined in the Annexes of Directive 2000/53/EC (ELV). Regarding the REACH Regulation, the information TE provides on SVHC in articles for this part number is based on the latest European Chemicals Agency (ECHA) 'Guidance on requirements for substances in articles' posted at this URL: <https://echa.europa.eu/guidance-documents/guidance-on-reach>

Compatible Parts




TE Part # 9-1879216-1
CPF 0402 158K 0.1% 25PPM 5K RL



TE Part # 1-1879417-9
CPF 0603 1M0 0.1% 25PPM 1K RL



TE Part # 5-1879216-3
CPF0402 475R 0.1% 50PPM 5K RL



TE Part # 1879417-8
CPF0603 1M0 0.1% 25PPM 5K RL



TE Part # 3-1879216-5
CPF0402 200K 0.1% 25PPM 1K RL



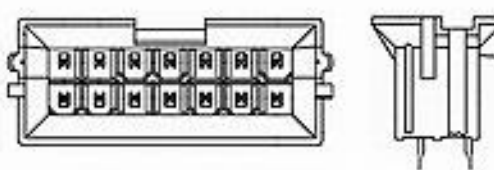
TE Part # 1-1614959-4
CPF0805 2M0 0.1% 25PPM 1K RL

Also in the Series | **Neohm CPF**



Surface Mount Resistors(5842)

Customers Also Bought



TE Part #1586586-4
4P VAL-U-LOK BMI VRT HDR V2



TE Part #3-644897-8
08P CST100 SHRD HDR ASSY LF



TE Part #5-532955-3
20 MODII 2PC CE RCPT ASSY, RoHS



TE Part #1676480-2
CRG0402 1% 100R



TE Part #5-2176370-0
RQ 0603 1K4 0.1% 10PPM 5K RL



TE Part #1-2176326-7
CRGP 0603 220R 1%



TE Part #534237-4
06 MODII VRT SR CE 100/115



TE Part #1-2176331-4
CRGP 2512 120R 1%



Documents

Product Drawings

[CPF 0402 78K7 0.1% 25PPM 1K RL](#)

English

CAD Files

[3D PDF](#)

3D

Customer View Model

[ENG_CVM_CVM_1-1879216-9_BA.2d_dxf.zip](#)

English

Customer View Model

[ENG_CVM_CVM_1-1879216-9_BA.3d_igs.zip](#)

English

Customer View Model

[ENG_CVM_CVM_1-1879216-9_BA.3d_stp.zip](#)

English

By downloading the CAD file I accept and agree to the [Terms and Conditions](#) of use.

Datasheets & Catalog Pages

[1309350_PASSIVE_COMPONENT](#)

English

[8-1773459-4_POWER_FILTERING_AND_RESISTIVE_SOLUTIONS_FOR_ELEVATORS_AND_ESCALATORS](#)

English

[CPF-1016](#)

English