

1-1825010-8 ✓ ACTIVE

Alcoswitch | Alcoswitch ASE/F

TE Internal #: 1-1825010-8

.3 A Slide Switch, Four Pole - Double Throw, Vertical, Copper Alloy,
Single Actuator, 4 Position, On On, 115 VAC, 28 VDC, Alcoswitch
ASE/F

[View on TE.com >](#)



Switches > Slide Switches



Contact Current Rating: **.3 A**

Configuration (Pole-Throw): **Four Pole - Double Throw**

Product Orientation: **Vertical**

Contact Base Material: **Copper Alloy**

Number of Actuators: **Single**

Features

Product Type Features

Leg Style	Gull Wing
-----------	-----------

Operation/Application

Assembly Process Feature	Auto-Insert Packaging
--------------------------	-----------------------

Industry Standards

UL Flammability Rating	UL 94V-0
------------------------	----------

Packaging Features

Packaging Method	Tube
------------------	------

Dimensions

Product Width	7.37 mm[.29 in]
Product Length	17.78 mm[.7 in]
Actuator Length	2.79 mm[.11 in]

Other

Grade	Telecom
-------	---------



EU RoHS Compliance	Compliant
--------------------	-----------

EU ELV Compliance	Compliant
-------------------	-----------

Body Features

Actuator Orientation	Top
----------------------	-----

Actuator Travel	2.79 mm[.11 in]
-----------------	-----------------

Product Orientation	Vertical
---------------------	----------

Actuator Profile	Extended
------------------	----------

Actuator Material	Nylon
-------------------	-------

Actuator Color	Natural
----------------	---------

Electrical Characteristics

Contact Current Rating	.3 A
------------------------	------

Operating Voltage	28 VDC
-------------------	--------

Configuration Features

Configuration (Pole-Throw)	Four Pole - Double Throw
----------------------------	--------------------------

Number of Actuators	Single
---------------------	--------

Number of Positions	4
---------------------	---

Operating Function	On On
--------------------	-------

Contact Features

Contact Base Material	Copper Alloy
-----------------------	--------------

Switch Contact Plating Material	Silver
---------------------------------	--------

Termination Features

Termination Method to PCB	Surface Mount
---------------------------	---------------

Product Compliance

[For compliance documentation, visit the product page on TE.com>](#)

EU RoHS Directive 2011/65/EU	Compliant
------------------------------	-----------

EU ELV Directive 2000/53/EC	Compliant
-----------------------------	-----------

China RoHS 2 Directive MIIT Order No 32, 2016	No Restricted Materials Above Threshold
---	---

EU REACH Regulation (EC) No. 1907/2006	Current ECHA Candidate List: JUNE 2024 (241) Candidate List Declared Against: JUNE 2024 (241) Does not contain REACH SVHC
--	---

Halogen Content	Not Low Halogen - contains Br or Cl > 900
-----------------	---

ppm.

Solder Process Capability

Reflow solder capable to 260°C

Product Compliance Disclaimer

This information is provided based on reasonable inquiry of our suppliers and represents our current actual knowledge based on the information they provided. This information is subject to change. The part numbers that TE has identified as EU RoHS compliant have a maximum concentration of 0.1% by weight in homogenous materials for lead, hexavalent chromium, mercury, PBB, PBDE, DBP, BBP, DEHP, DIBP, and 0.01% for cadmium, or qualify for an exemption to these limits as defined in the Annexes of Directive 2011/65/EU (RoHS2). Finished electrical and electronic equipment products will be CE marked as required by Directive 2011/65/EU. Components may not be CE marked. Additionally, the part numbers that TE has identified as EU ELV compliant have a maximum concentration of 0.1% by weight in homogenous materials for lead, hexavalent chromium, and mercury, and 0.01% for cadmium, or qualify for an exemption to these limits as defined in the Annexes of Directive 2000/53/EC (ELV). Regarding the REACH Regulation, the information TE provides on SVHC in articles for this part number is based on the latest European Chemicals Agency (ECHA) 'Guidance on requirements for substances in articles' posted at this URL: <https://echa.europa.eu/guidance-documents/guidance-on-reach>

Compatible Parts



TE Part # 1825010-2
ASE22G04=DPDT AUTOSLIDE



TE Part # 3-1825010-7
ASE6204=6PDT AUTOSLIDE



TE Part # 1-1825010-3
ASE4204=4PDT AUTOSLIDE



TE Part # 4-1825010-4
ASE62S04=6PDT AUTOSLIDE



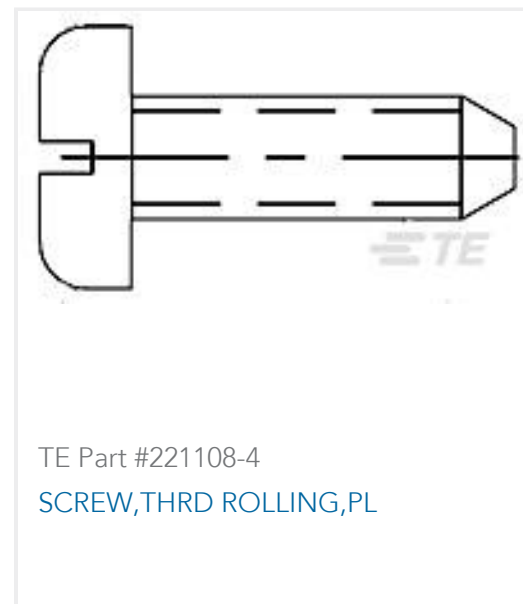
TE Part # 1825010-1
ASE2204=DPDT AUTOSLIDE

Also in the Series | [Alcoswitch ASE/F](#)



[Slide Switches\(46\)](#)

Customers Also Bought



Documents

Product Drawings

[ASE42L04=4PDT AUTOSLIDE](#)

English

CAD Files

Customer View Model

[ENG_CVM_CVM_1-1825010-8_D1.3d_igs.zip](#)

English

Customer View Model

[ENG_CVM_CVM_1-1825010-8_D1.3d_stp.zip](#)

English

Customer View Model

[ENG_CVM_CVM_1-1825010-8_D1.2d_dxf.zip](#)

English

[3D PDF](#)

3D

By downloading the CAD file I accept and agree to the [Terms and Conditions](#) of use.

Datasheets & Catalog Pages



SWITCHES_CORE_PROGRAM_CATALOG

English