

1-1825010-4 ✓ ACTIVE

[Alcoswitch](#) | [Alcoswitch ASE/F](#)

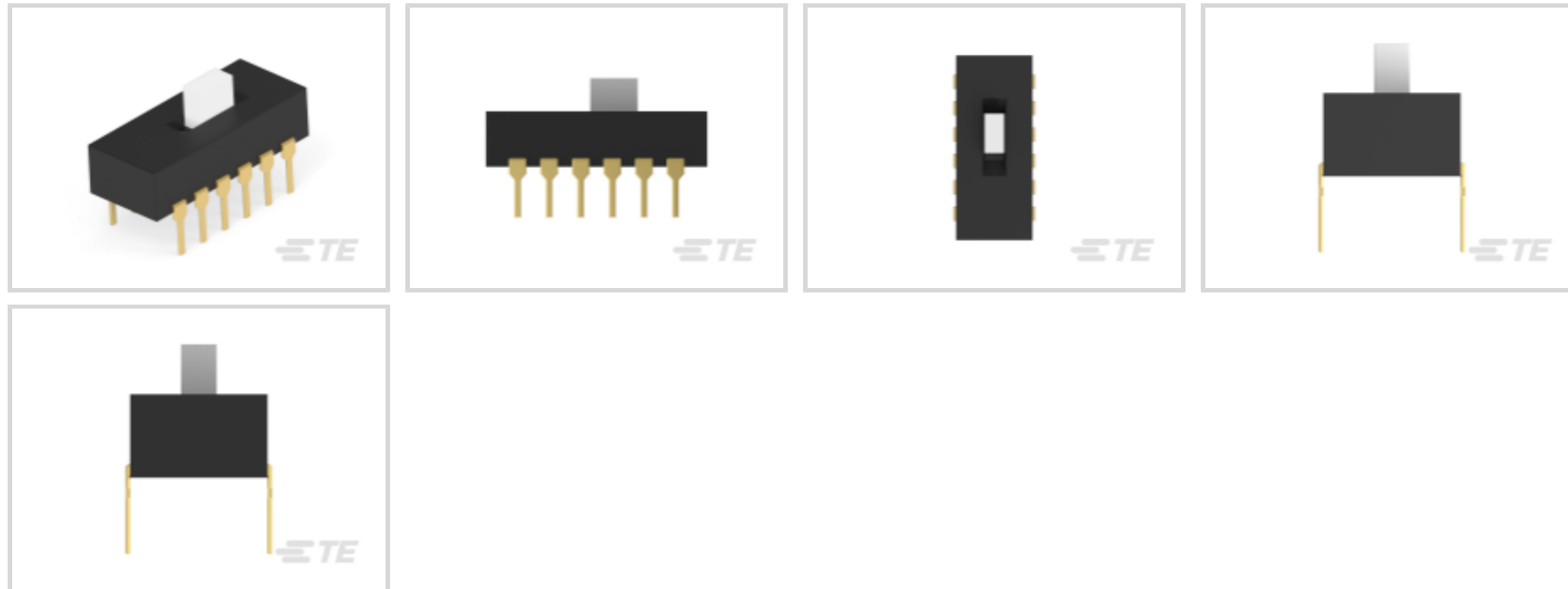
TE Internal #: 1-1825010-4

.4 A Slide Switch, Four Pole - Double Throw, Vertical, Copper Alloy,  
Single Actuator, 4 Position, On On, 20 VDC, Extended Actuator,  
Alcoswitch ASE/F

[View on TE.com >](#)



Switches > Slide Switches



Contact Current Rating: **.4 A**

Configuration (Pole-Throw): **Four Pole - Double Throw**

Product Orientation: **Vertical**

Contact Base Material: **Copper Alloy**

Number of Actuators: **Single**

## Features

### Operation/Application

Assembly Process Feature	Auto-Insert Packaging
--------------------------	-----------------------

### Industry Standards

UL Flammability Rating	UL 94V-0
------------------------	----------

### Packaging Features

Packaging Method	Tube
------------------	------

### Dimensions

Product Width	7.37 mm[.29 in]
---------------	-----------------

Product Length	17.78 mm[.7 in]
----------------	-----------------

Actuator Length	2.79 mm[.11 in]
-----------------	-----------------

### Other

Grade	Telecom
-------	---------

EU RoHS Compliance	Compliant
--------------------	-----------

EU ELV Compliance	Compliant
-------------------	-----------



### Termination Features

Termination Post & Tail Length	4.06 mm[.16 in]
Termination Method to PCB	Through Hole - Solder

### Body Features

Actuator Orientation	Top
Actuator Travel	2.79 mm[.11 in]
Product Orientation	Vertical
Actuator Profile	Extended
Actuator Material	Nylon
Actuator Color	Natural

### Electrical Characteristics

Contact Current Rating	.4 A
Operating Voltage	20 VDC

### Configuration Features

Configuration (Pole-Throw)	Four Pole - Double Throw
Number of Actuators	Single
Number of Positions	4
Operating Function	On On

### Contact Features

Contact Base Material	Copper Alloy
Switch Contact Plating Material	Gold

### Product Compliance

[For compliance documentation, visit the product page on TE.com>](#)

EU RoHS Directive 2011/65/EU	Compliant
EU ELV Directive 2000/53/EC	Compliant
China RoHS 2 Directive MIIT Order No 32, 2016	No Restricted Materials Above Threshold
EU REACH Regulation (EC) No. 1907/2006	Current ECHA Candidate List: JUNE 2024 (241) Candidate List Declared Against: JUNE 2024 (241) Does not contain REACH SVHC
Halogen Content	Not Low Halogen - contains Br or Cl > 900 ppm.

Solder Process Capability

Wave solder capable to 265°C

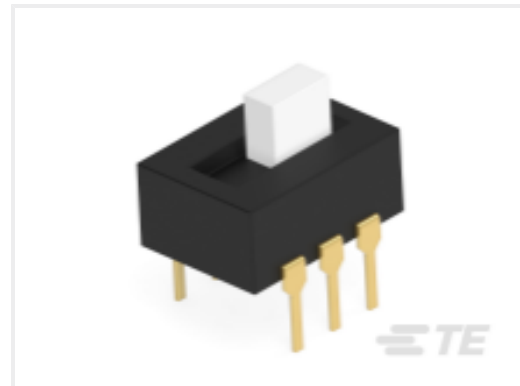
Product Compliance Disclaimer

This information is provided based on reasonable inquiry of our suppliers and represents our current actual knowledge based on the information they provided. This information is subject to change. The part numbers that TE has identified as EU RoHS compliant have a maximum concentration of 0.1% by weight in homogenous materials for lead, hexavalent chromium, mercury, PBB, PBDE, DBP, BBP, DEHP, DIBP, and 0.01% for cadmium, or qualify for an exemption to these limits as defined in the Annexes of Directive 2011/65/EU (RoHS2). Finished electrical and electronic equipment products will be CE marked as required by Directive 2011/65/EU. Components may not be CE marked. Additionally, the part numbers that TE has identified as EU ELV compliant have a maximum concentration of 0.1% by weight in homogenous materials for lead, hexavalent chromium, and mercury, and 0.01% for cadmium, or qualify for an exemption to these limits as defined in the Annexes of Directive 2000/53/EC (ELV). Regarding the REACH Regulation, the information TE provides on SVHC in articles for this part number is based on the latest European Chemicals Agency (ECHA) 'Guidance on requirements for substances in articles' posted at this URL: <https://echa.europa.eu/guidance-documents/guidance-on-reach>

### Compatible Parts



TE Part # 1825010-1  
ASE2204=DPDT AUTOSLIDE



TE Part # 1825010-2  
ASE22G04=DPDT AUTOSLIDE



TE Part # 3-1825010-7  
ASE6204=6PDT AUTOSLIDE

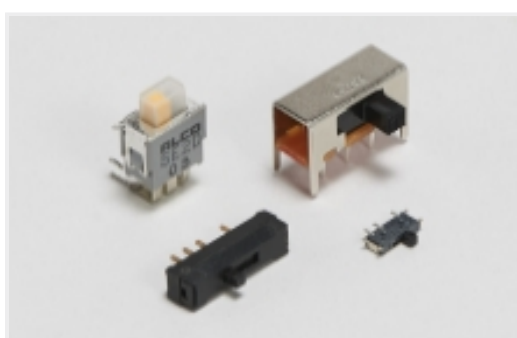


TE Part # 4-1825010-4  
ASE62S04=6PDT AUTOSLIDE



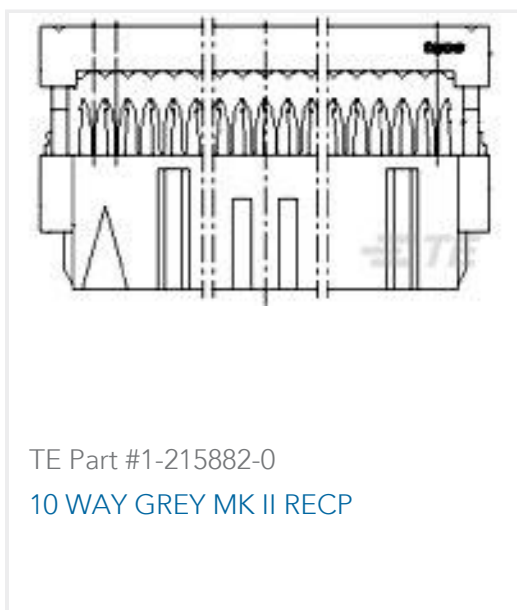
TE Part # 1-1825010-3  
ASE4204=4PDT AUTOSLIDE

### Also in the Series | Alcoswitch ASE/F



Slide Switches(46)

### Customers Also Bought



## Documents

### Product Drawings

[ASE42G04=4PDT AUTOSLIDE](#)

English

### CAD Files

Customer View Model

[ENG\\_CVM\\_CVM\\_1-1825010-4\\_C1.3d\\_igs.zip](#)

English

Customer View Model

[ENG\\_CVM\\_CVM\\_1-1825010-4\\_C1.3d\\_stp.zip](#)

English

Customer View Model

[ENG\\_CVM\\_CVM\\_1-1825010-4\\_C1.2d\\_dxf.zip](#)

English

[3D PDF](#)

3D

By downloading the CAD file I accept and agree to the [Terms and Conditions](#) of use.

## Datasheets & Catalog Pages



[SWITCHES\\_CORE\\_PROGRAM\\_CATALOG](#)

English