

1-1825007-1 ✓ ACTIVE

Alcoswitch | Alcoswitch DIP, Alcoswitch Rotary DIP DRD

TE Internal #: 1-1825007-1

16 Position, Flush Actuator, Rotary DIP, 16 Switch, Thermoplastic, Sealed, .4 A Contact Rating, BCD Complement Code, Alcoswitch DIP, Rotary Switches

[View on TE.com >](#)



Switches > Rotary Switches



Number of Positions: **16**

Actuator Style: **Flush Actuator**

Rotary Switch Type: **Rotary DIP**

Number of Switches: **16**

Case Material: **Thermoplastic**

Features

Industry Standards

UL Flammability Rating	UL 94V-0
------------------------	----------

Housing Features

Centerline (Pitch)	2.54 mm[.1 in]
--------------------	----------------

Packaging Features

Packaging Method	Tube
------------------	------

Contact Features

PCB Contact Termination Area Plating Material	Gold Flash
Switch Contact Plating Material	Gold Flash
Contact Base Material	Copper Alloy

Configuration Features

Number of Positions	16
Number of Switches	16

Product Type Features

Actuator Style	Flush Actuator
Rotary Switch Type	Rotary DIP
Sealed Device	Yes
Code Type	BCD Complement



Body Features

Case Material	Thermoplastic
Product Orientation	Vertical

Electrical Characteristics

Contact Current Rating	.4 A
Operating Voltage	20 VDC

Termination Features

Termination Method to PCB	Through Hole - Solder
---------------------------	-----------------------

Other

EU RoHS Compliance	Compliant
EU ELV Compliance	Compliant

Product Compliance

[For compliance documentation, visit the product page on TE.com>](#)

EU RoHS Directive 2011/65/EU	Compliant
EU ELV Directive 2000/53/EC	Compliant
China RoHS 2 Directive MIIT Order No 32, 2016	No Restricted Materials Above Threshold
EU REACH Regulation (EC) No. 1907/2006	Current ECHA Candidate List: JUNE 2024 (241) Candidate List Declared Against: JAN 2022 (223) Does not contain REACH SVHC
Halogen Content	Not Low Halogen - contains Br or Cl > 900 ppm.
Solder Process Capability	Wave solder capable to 265°C

Product Compliance Disclaimer

This information is provided based on reasonable inquiry of our suppliers and represents our current actual knowledge based on the information they provided. This information is subject to change. The part numbers that TE has identified as EU RoHS compliant have a maximum concentration of 0.1% by weight in homogenous materials for lead, hexavalent chromium, mercury, PBB, PBDE, DBP, BBP, DEHP, DIBP, and 0.01% for cadmium, or qualify for an exemption to these limits as defined in the Annexes of Directive 2011/65/EU (RoHS2). Finished electrical and electronic equipment products will be CE marked as required by Directive 2011/65/EU. Components may not be CE marked. Additionally, the part numbers that TE has identified as EU ELV compliant have a maximum concentration of 0.1% by weight in homogenous materials for lead, hexavalent chromium, and mercury, and 0.01% for cadmium, or qualify for an exemption to these limits as defined in the Annexes of Directive 2000/53/EC (ELV). Regarding the REACH Regulation, the information TE provides on SVHC in articles for this part number is based on the latest European Chemicals Agency (ECHA) 'Guidance on requirements for substances in articles' posted at this URL: <https://echa.europa.eu/guidance-documents/guidance-on-reach>

Compatible Parts



TE Part # 1-1825007-0
DRD10SETR04=ROT DIP,10P,SMT



TE Part # 1-1825007-6
DRD16E04=ROT DIP,16P



TE Part # 1-1825007-8
DRD16SE04=ROT DIP,16P,SMT



TE Part # 1-1825007-3
DRD16CSE04=ROT DIP,16P,SMT



TE Part # 1-1825007-9
DRD16SAETR04=ROT DIP,16P,SMT



TE Part # 1825007-6
DRD10E04=ROT DIP,10P




TE Part # 1825007-1
DRD10CE04=ROT DIP,10P



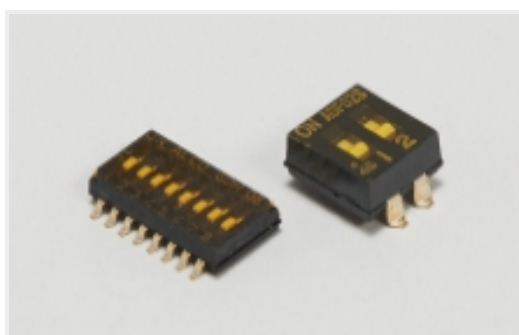
TE Part # 2-1825007-0
DRD16SETR04=ROT DIP,16P,SMT

Also in the Series | Alcoswitch Rotary DIP DRD




Rotary Switches(16)

Also in the Series | Alcoswitch DIP

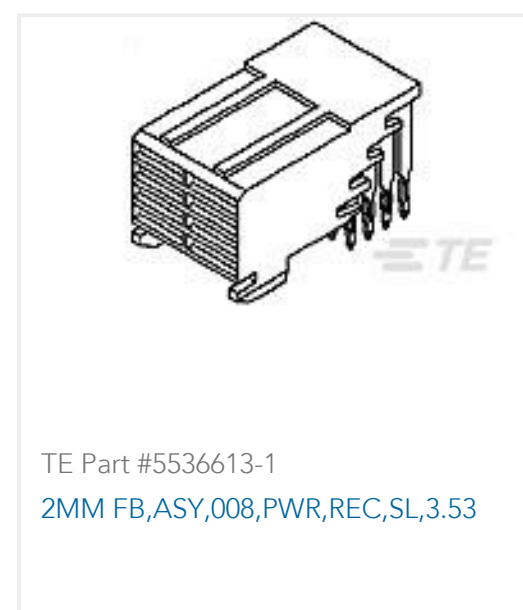


DIP & SIP Switches(160)



Rotary Switches(16)

Customers Also Bought



Documents

Product Drawings

[DRD16CE04=ROT DIP, 16P](#)

English

CAD Files

Customer View Model

[ENG_CVM_CVM_1-1825007-1_A1.3d_igs.zip](#)

English

Customer View Model

[ENG_CVM_CVM_1-1825007-1_A1.3d_stp.zip](#)

English

Customer View Model

[ENG_CVM_CVM_1-1825007-1_A1.2d_dxf.zip](#)

English

[3D PDF](#)

3D

By downloading the CAD file I accept and agree to the [Terms and Conditions](#) of use.

Datasheets & Catalog Pages



SWITCHES_CORE_PROGRAM_CATALOG

English