

1-1801175-5 ✓ ACTIVE



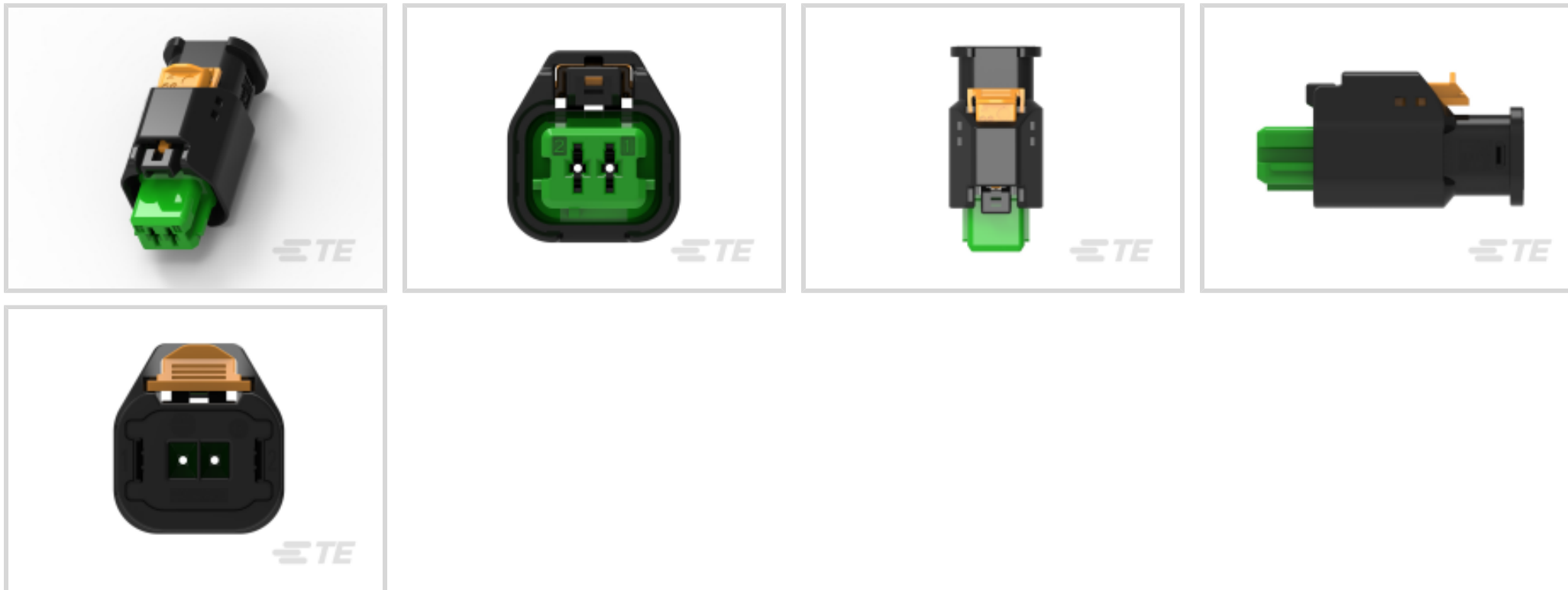
### Sensor Flat Contact System

TE Internal #: 1-1801175-5

2 Position Housing, Housing for Female Terminals, Wire-to-Wire, 3.33 mm [.131 in] Centerline, Sealable, Green, Sensor Flat Contact System

[View on TE.com >](#)

Connectors > Automotive Connectors > Automotive Housings



Number of Positions: 2

Connector & Housing Type: **Housing for Female Terminals**

Mating Tab Width: 1.5 mm [.06 in]

Connector System: **Wire-to-Wire**

Centerline (Pitch): 3.33 mm [.131 in]

### Features

#### Industry Standards

IP Rating	IP69K
UL Flammability Rating	UL 94HB

#### Dimensions

Product Width	35.05 mm[1.38 in]
Product Length	18 mm[.709 in]
Connector Height	19.85 mm[.782 in]

#### Mechanical Attachment

Strain Relief	Add By Accessory
Terminal Position Assurance	Yes
Mating Alignment Type	Keyed
Mating Alignment	With
Connector Mounting Type	Cable Mount (Free-Hanging)

#### Other

Serviceable	Yes
-------------	-----



Connector Position Assurance Capable	Yes
EU RoHS Compliance	Compliant
EU ELV Compliance	Compliant

#### Electrical Characteristics

Operating Voltage	16 VDC
Nominal Voltage Architecture	12 V

#### Body Features

Cable Exit Angle	180°
Primary Product Color	Green
Connector & Keying Code	5

#### Housing Features

Housing Material	PBT GF
Centerline (Pitch)	3.33 mm [.131 in]

#### Contact Features

Contact Size	1.5mm
Contact Type	Receptacle
Mating Tab Width	1.5 mm [.06 in]
Contact Current Rating (Max)	8 A

#### Product Type Features

Connector Shape	Rectangular
Mixed & Hybrid Connector	No
Connector & Housing Type	Housing for Female Terminals
Connector System	Wire-to-Wire
Sealable	Yes
Primary Locking Feature	On the Terminal
Connector & Contact Terminates To	Wire & Cable

#### Configuration Features

Number of Positions	2
Number of Rows	1

#### Usage Conditions

Operating Temperature (Max)	125 °C [293 °F] [248 °F] [221 °F] [167 °F] [158 °F] [266 °F] [212 °F] [257 °F] [230 °F] [176 °F] [194 °F]
-----------------------------	--



	F][302 °F][284 °F][185 °F]
Operating Temperature Range	-40 – 150 °C[-40 – 302 °F]

**Operation/Application**

Circuit Application	Signal
---------------------	--------

**Product Compliance**

[For compliance documentation, visit the product page on TE.com>](#)

EU RoHS Directive 2011/65/EU	Compliant
EU ELV Directive 2000/53/EC	Compliant
China RoHS 2 Directive MIIT Order No 32, 2016	No Restricted Materials Above Threshold
EU REACH Regulation (EC) No. 1907/2006	Current ECHA Candidate List: JUNE 2024 (241) Candidate List Declared Against: JUNE 2024 (241) Does not contain REACH SVHC
Halogen Content	BFR/CFR/PVC Free, but Br/Cl >900 ppm in other sources.
Solder Process Capability	Not applicable for solder process capability

**Product Compliance Disclaimer**

This information is provided based on reasonable inquiry of our suppliers and represents our current actual knowledge based on the information they provided. This information is subject to change. The part numbers that TE has identified as EU RoHS compliant have a maximum concentration of 0.1% by weight in homogenous materials for lead, hexavalent chromium, mercury, PBB, PBDE, DBP, BBP, DEHP, DIBP, and 0.01% for cadmium, or qualify for an exemption to these limits as defined in the Annexes of Directive 2011/65/EU (RoHS2). Finished electrical and electronic equipment products will be CE marked as required by Directive 2011/65/EU. Components may not be CE marked. Additionally, the part numbers that TE has identified as EU ELV compliant have a maximum concentration of 0.1% by weight in homogenous materials for lead, hexavalent chromium, and mercury, and 0.01% for cadmium, or qualify for an exemption to these limits as defined in the Annexes of Directive 2000/53/EC (ELV). Regarding the REACH Regulation, the information TE provides on SVHC in articles for this part number is based on the latest European Chemicals Agency (ECHA) 'Guidance on requirements for substances in articles' posted at this URL: <https://echa.europa.eu/guidance-documents/guidance-on-reach>

**Compatible Parts**

TE Part # 1801153-1  
RECEPTACLE HOUSING 2W HP

TE Part # 1-1801466-1  
COVER, FIXED, 2 WAY HP CONNECTOR

TE Part # 1-1579008-0  
EXTRACTION TOOL TO OPEN SECONDARY LOCK

TE Part # 1-1801155-5  
COVER FOR 2W HP CONNECTOR



TE Part # 1801466-1  
COVER, FIXED, 2 WAY HP CONNECTOR



TE Part # 1801174-5  
2W TAB HP CONNECTOR GREEN



TE Part # 1-1801466-2  
COVER, FIXED, 2 WAY HP CONNECTOR



TE Part # 1-1801356-1  
ROTATIVE COVER, RIGHT ANGLE, 2W HP CONN



TE Part # 1801466-2  
COVER, FIXED, 2 WAY HP CONNECTOR



TE Part # 1801155-5  
COVER FOR 2W HP CONNECTOR



TE Part # 6-1579018-2  
EXTRACTION TOOL



TE Part # 1801356-1  
ROTATIVE COVER, RIGHT ANGLE, 2W HP CONN

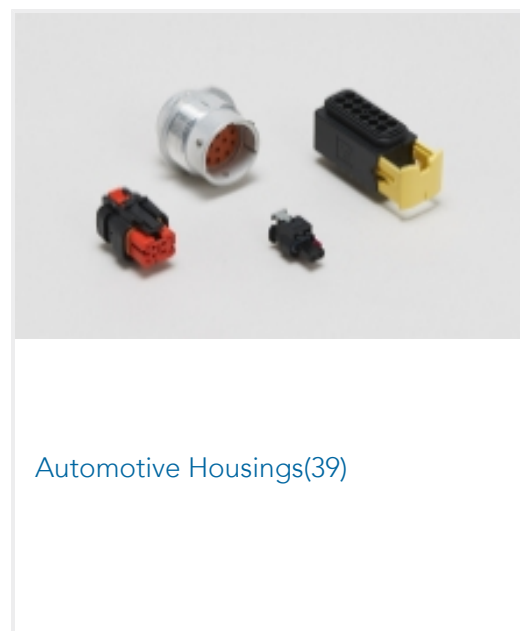


TE Part # CAT-AM706-T273  
AMP MCP, SFC, RECEPTACLE

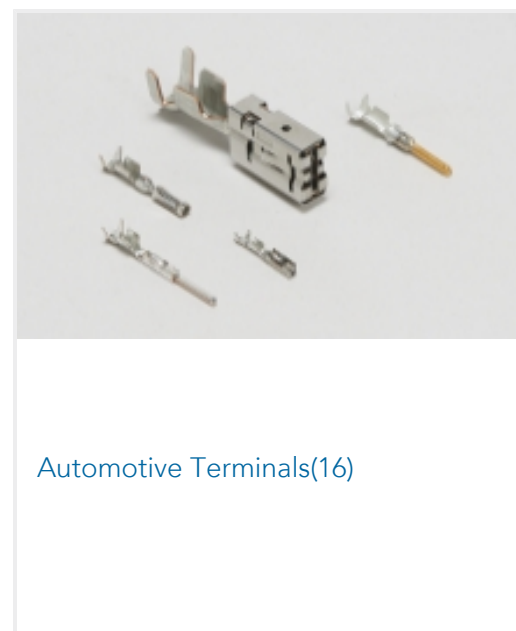
Also in the Series | **Sensor Flat Contact System**



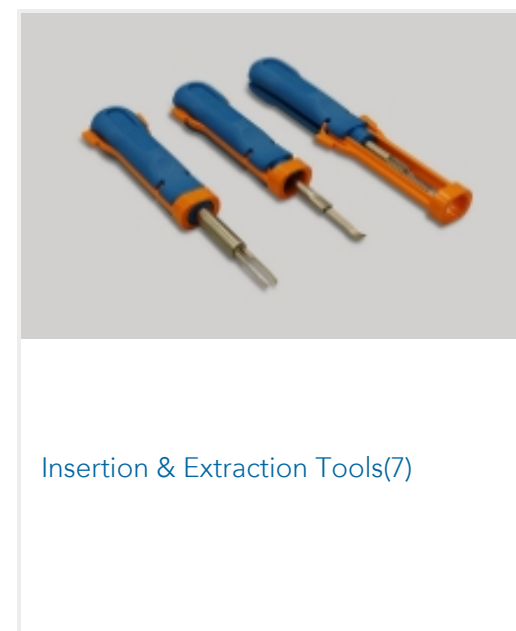
Automotive Connector Caps & Covers (9)



Automotive Housings(39)



Automotive Terminals(16)



Insertion & Extraction Tools(7)

Customers Also Bought



TE Part #1801356-1  
ROTATIVE COVER, RIGHT ANGLE, 2W HP CONN



TE Part #1379095-3  
COV+LEV MQS 12W 0DEG BLAC



TE Part #1801467-1  
COVER, FIXED, 3 WAY HP CONNECTOR



TE Part #1-1801178-2  
3W RECEPTACLE HP CONNECTOR BLUE



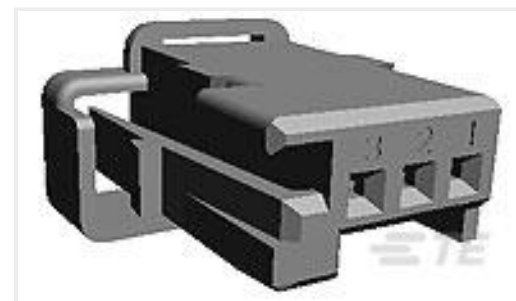
TE Part #1-1801466-1  
COVER, FIXED, 2 WAY HP  
CONNECTOR



TE Part #1801177-4  
3W TAB CONNECTOR HP YELLOW



TE Part #1-1801175-6  
2W RECEPTACLE HP CONNECTOR  
BROWN



TE Part #953697-2  
3POS MOS REC



TE Part #1801176-3  
2W RECEPTACLE HPSL CONNECTOR  
GREY



TE Part #1544346-3  
BOITIER PC 8 MM 1V

## Documents

### Product Drawings

#### 2W RECEPTACLE HP CONNECTOR GREEN

English

### CAD Files

#### 3D PDF

3D

#### Customer View Model

[ENG\\_CVM\\_CVM\\_1-1801175-5\\_F.2d\\_dxf.zip](#)

English

#### Customer View Model

[ENG\\_CVM\\_CVM\\_1-1801175-5\\_F.3d\\_igs.zip](#)

English

#### Customer View Model

[ENG\\_CVM\\_CVM\\_1-1801175-5\\_F.3d\\_stp.zip](#)

English

By downloading the CAD file I accept and agree to the [Terms and Conditions](#) of use.

### Product Specifications

#### Product Specification

English

### Instruction Sheets

#### Instruction Sheet (non U.S.)

English