

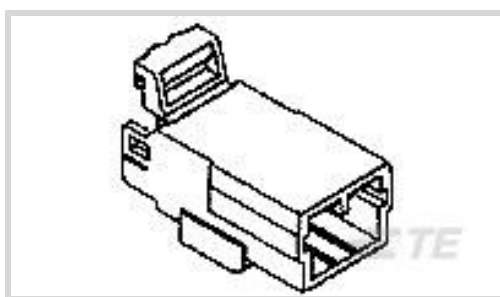
1-174930-1 ✓ ACTIVE

AMP | Multilock Connector System

TE Internal #: 1-174930-1

TE Internal Description: 070 MLC W-W CAP HSG 6P F/A

[View on TE.com >](#)



Product Compliance

[For compliance documentation, visit the product page on TE.com>](#)

EU RoHS Directive 2011/65/EU	Compliant
EU ELV Directive 2000/53/EC	Compliant
China RoHS 2 Directive MIIT Order No 32, 2016	No Restricted Materials Above Threshold
EU REACH Regulation (EC) No. 1907/2006	Current ECHA Candidate List: JUNE 2024 (241) Candidate List Declared Against: JUNE 2024 (241) Does not contain REACH SVHC
Halogen Content	Not Low Halogen - contains Br or Cl > 900 ppm.
Solder Process Capability	Not applicable for solder process capability

Product Compliance Disclaimer

This information is provided based on reasonable inquiry of our suppliers and represents our current actual knowledge based on the information they provided. This information is subject to change. The part numbers that TE has identified as EU RoHS compliant have a maximum concentration of 0.1% by weight in homogenous materials for lead, hexavalent chromium, mercury, PBB, PBDE, DBP, BBP, DEHP, DIBP, and 0.01% for cadmium, or qualify for an exemption to these limits as defined in the Annexes of Directive 2011/65/EU (RoHS2). Finished electrical and electronic equipment products will be CE marked as required by Directive 2011/65/EU. Components may not be CE marked. Additionally, the part numbers that TE has identified as EU ELV compliant have a maximum concentration of 0.1% by weight in homogenous materials for lead, hexavalent chromium, and mercury, and 0.01% for cadmium, or qualify for an exemption to these limits as defined in the Annexes of Directive 2000/53/EC (ELV). Regarding the REACH Regulation, the information TE provides on SVHC in articles for this part number is based on the latest European Chemicals Agency (ECHA) 'Guidance on requirements for substances in articles' posted at this URL: <https://echa.europa.eu/guidance-documents/guidance-on-reach>

Compatible Parts



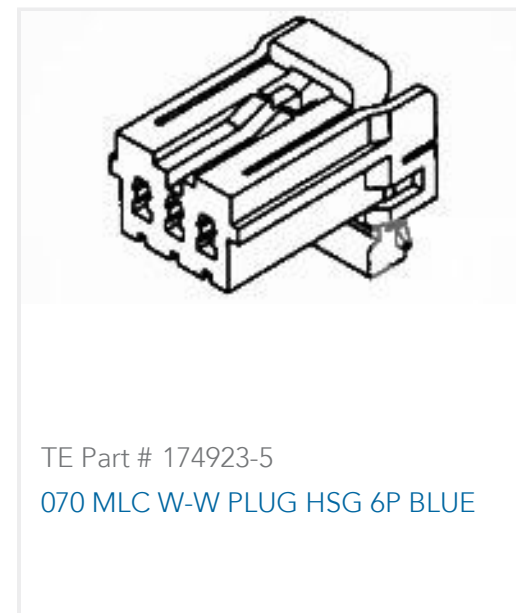
TE Part # CAT-M9194-T273
MULTILOCK, RECEPTACLE AND TAB



TE Part # CAT-M9194-CH8172
MULTILOCK, CONNECTOR HOUSING



TE Part # 175030-3
070 TAB CONTACT L/P



TE Part # 174923-5
070 MLC W-W PLUG HSG 6P BLUE



TE Part # 175029-1
070 TAB CONTACT L.P 24-22

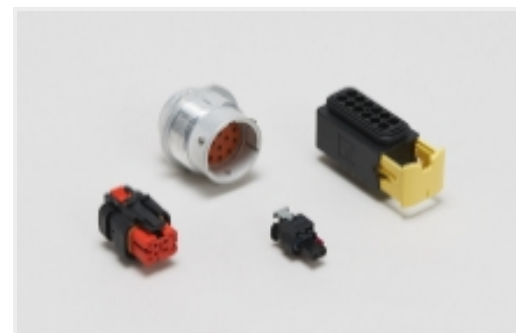
Also in the Series | Multilock Connector System



Automotive Connector Caps & Covers
(6)



Automotive Headers(76)



Automotive Housings(165)



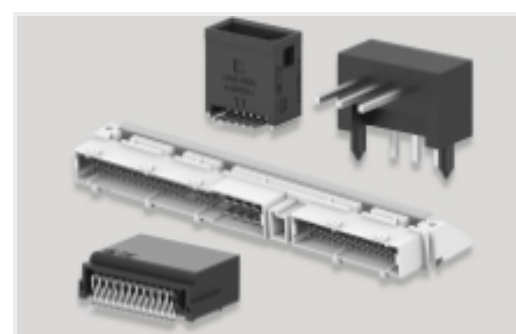
Automotive Terminals(84)



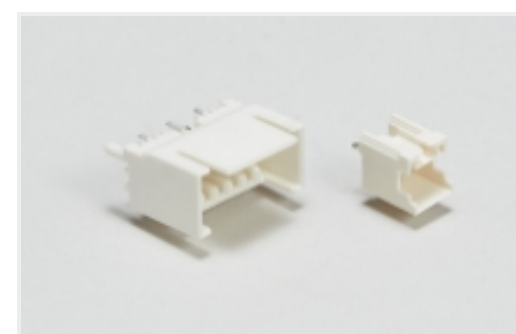
Insertion & Extraction Tools(6)



Other Automotive Connector
Accessories(5)

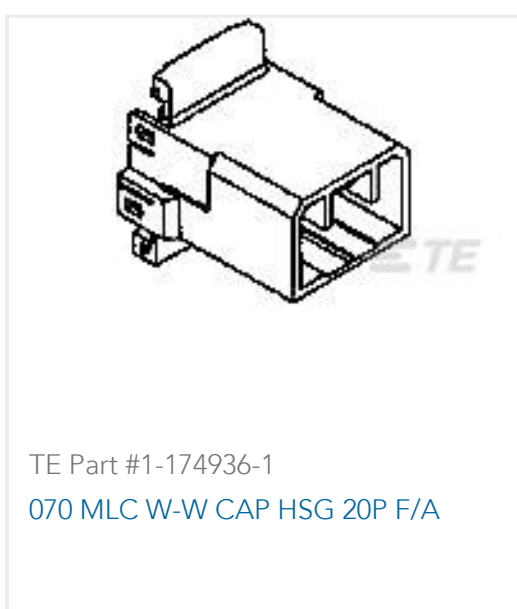


PCB Headers & Receptacles(76)



Wire-to-Board Headers & Receptacles
(74)

Customers Also Bought



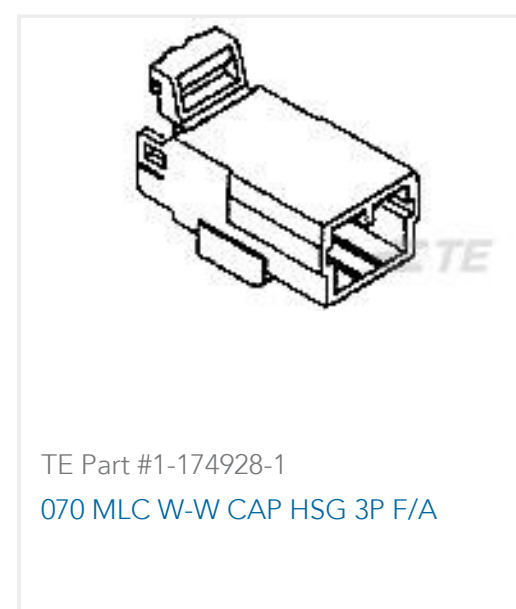
TE Part #1-174936-1
070 MLC W-W CAP HSG 20P F/A



TE Part #CAT-M9194-CH8172
MULTILOCK, CONNECTOR HOUSING



TE Part #173633-2
070 MLC TAB CONT 24-22



TE Part #1-174928-1
070 MLC W-W CAP HSG 3P F/A



Documents

Product Drawings

[070 MLC W-W CAP HSG 6P F/A](#)

English

CAD Files

[3D PDF](#)

English

[Customer View Model](#)

[ENG_CVM_1-174930-1_D.2d_dxf.zip](#)

English

[Customer View Model](#)

[ENG_CVM_1-174930-1_D.3d_igs.zip](#)

English

[Customer View Model](#)

[ENG_CVM_1-174930-1_D.3d_stp.zip](#)

English

By downloading the CAD file I accept and agree to the [Terms and Conditions](#) of use.

Product Specifications

[Product Specification](#)

Japanese