

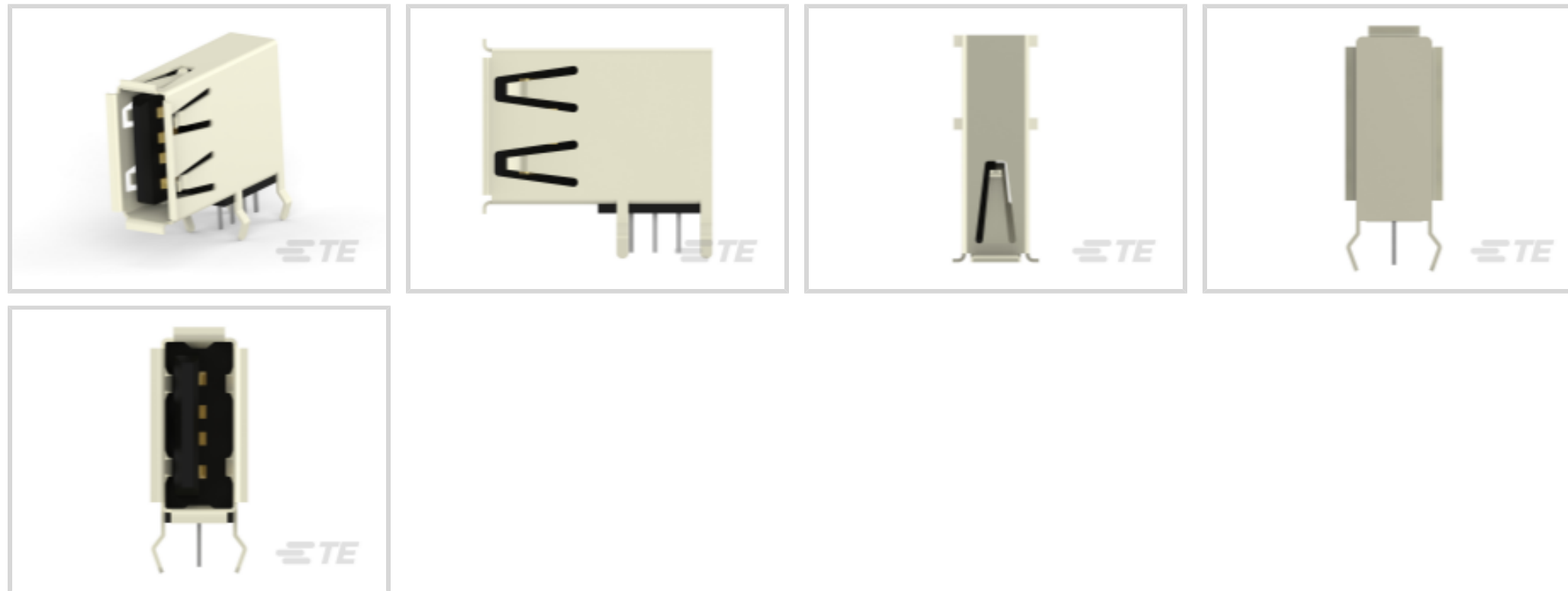


TE Internal #: 1-1734775-1

A, 2.0, Standard Profile, Receptacle, 1 Port, Top, Perpendicular  
Right Angle, Box & Tray / Tray, Flush, Through Hole - Solder, USB  
Connectors

[View on TE.com >](#)

Connectors > Audio & Video Connectors > USB Connectors



USB Adapter Type: **A**

USB Version: **2.0**

Connector Profile: **Standard**

Connector & Housing Type: **Receptacle**

Number of Ports: **1**

### Features

#### Industry Standards

Industry Standard	USB 2.0
Moisture Sensitivity Level	1
UL Flammability Rating	UL 94V-0

#### Dimensions

PCB Thickness (Recommended)	1.6 mm[.063 in]
-----------------------------	-----------------

#### Operation/Application

Halogen Free	No
Circuit Application	Power & Signal

#### Contact Features

Contact Mating Area Plating Material Thickness	.76 $\mu$ m[29.92 $\mu$ in]
Contact Mating Area Plating Material	Gold Flash over Palladium Nickel
Contact Current Rating (Max)	1.5 A

#### Termination Features

Termination Post & Tail Length	3.3 mm[.13 in]
--------------------------------	----------------



Termination Method to PCB Through Hole - Solder

### Packaging Features

Packaging Quantity	100
Packaging Method	Tray, Box & Tray

### Housing Features

Housing Color	Black
Housing Material	Thermoplastic
Body Orientation	Perpendicular Right Angle
Centerline (Pitch)	2 mm, 2.5 mm[.098 in][.078 in]

### Mechanical Attachment

Locking Feature	Without
PCB Mount Location	Top
PCB Connector Seating	Flush
PCB Mount Retention Type	Kinked Legs
Panel Mount Feature Type	Flange
Connector Mounting Type	Board Mount

### Configuration Features

Number of Mounting Legs	4
Number of Ports	1
Number of Positions	4

### Body Features

Shell Plating Material	Nickel over Copper
Connector Profile	Standard

### Product Type Features

USB Adapter Type	A
USB Version	2.0
Connector & Housing Type	Receptacle
Connector System	Cable-to-Board
Connector & Contact Terminates To	Printed Circuit Board
USB Connector Type	USB 2.0 Type-A

### Usage Conditions

Soldering Temperature (Max)	240 °C[464 °F]
-----------------------------	----------------



Mating Cycles (Max)	250
Operating Temperature Range	0 – 50 °C[32 – 122 °F]

### Other

EU RoHS Compliance	Compliant
EU ELV Compliance	Compliant

### Product Compliance

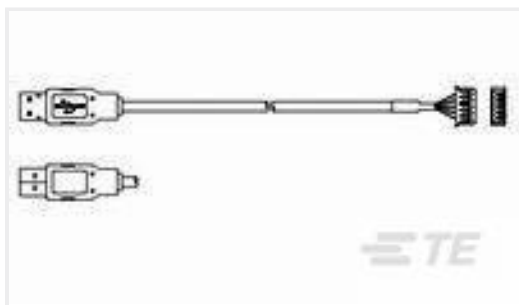
[For compliance documentation, visit the product page on TE.com>](#)

EU RoHS Directive 2011/65/EU	Compliant
EU ELV Directive 2000/53/EC	Compliant
China RoHS 2 Directive MIIT Order No 32, 2016	No Restricted Materials Above Threshold
EU REACH Regulation (EC) No. 1907/2006	Current ECHA Candidate List: JUNE 2024 (241) Candidate List Declared Against: JUNE 2024 (241) Does not contain REACH SVHC
Halogen Content	Not Low Halogen - contains Br or Cl > 900 ppm.
Solder Process Capability	Wave solder capable to 265°C

#### Product Compliance Disclaimer

This information is provided based on reasonable inquiry of our suppliers and represents our current actual knowledge based on the information they provided. This information is subject to change. The part numbers that TE has identified as EU RoHS compliant have a maximum concentration of 0.1% by weight in homogenous materials for lead, hexavalent chromium, mercury, PBB, PBDE, DBP, BBP, DEHP, DIBP, and 0.01% for cadmium, or qualify for an exemption to these limits as defined in the Annexes of Directive 2011/65/EU (RoHS2). Finished electrical and electronic equipment products will be CE marked as required by Directive 2011/65/EU. Components may not be CE marked. Additionally, the part numbers that TE has identified as EU ELV compliant have a maximum concentration of 0.1% by weight in homogenous materials for lead, hexavalent chromium, and mercury, and 0.01% for cadmium, or qualify for an exemption to these limits as defined in the Annexes of Directive 2000/53/EC (ELV). Regarding the REACH Regulation, the information TE provides on SVHC in articles for this part number is based on the latest European Chemicals Agency (ECHA) 'Guidance on requirements for substances in articles' posted at this URL: <https://echa.europa.eu/guidance-documents/guidance-on-reach>

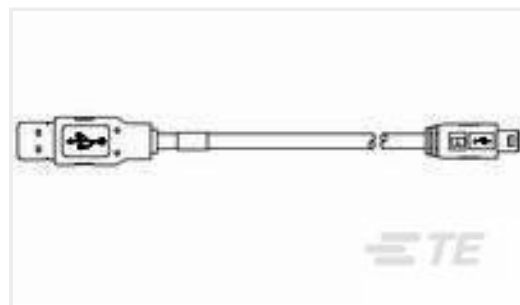
### Compatible Parts

TE Part # 2142872-1  
cable assy, usb a plug to 5p hsg



TE Part # 1827525-1  
MECHATROLINK II CONNECTOR KIT



TE Part # 1929690-1  
USB CABLE, USB A to Mini USB,Blue



TE Part # 1-1734028-3  
Std USB, Type A, Plug



TE Part # 1496476-1  
STD USB-A TO MINI-B ASSY, 1M



TE Part # 1487593-2  
USB, A-BLUNT,28/24,WHT,1.5M



TE Part # 1487591-1  
USB, A-BLUNT,28/28,WHT,0.83M



TE Part # 1487599-1  
USB, A-BLUNT,28/28,BLK,0.83M



TE Part # 1487593-1  
USB, A-BLUNT,28/24,WHT,2.0M



TE Part # 1734028-1  
Std USB Type A, Plug, Natural



TE Part # 1487600-1  
USB, A-BLUNT,28/26,BLK,1.0M



TE Part # 1-1734028-1  
Std USB, Type A, Plug, Natural

### Customers Also Bought




TE Part #1-1879502-7  
CRGH2512 5% 62K 2W



TE Part #1-1462037-6  
IM03JR=IM RELAY 140mW 5V



TE Part #1-1614884-7  
CPF 0805 10R 0.1% 25PPM 1K RL



TE Part #1-215297-3  
13P HV100 REC CON. TE, 7.0MM



TE Part #1-770186-0  
12P MINI-UMNL ASSY V0 SNNI\*



TE Part #5-1879501-1  
CRGH2512 5% 120R 2W



TE Part #3-2343522-3  
SFP56 STACKED 2X2 RECEPTACLE ASSEMBLY



TE Part #5-147279-2  
10 MODII HDR DR SFMT B/A T&R LF



## Documents

### Product Drawings

Std USB Type A, Flag, T/H, 1.8A

English

### CAD Files

3D PDF

3D

Customer View Model

[ENG\\_CVM\\_CVM\\_1-1734775-1\\_C.2d\\_dxf.zip](#)

English

Customer View Model

[ENG\\_CVM\\_CVM\\_1-1734775-1\\_C.3d\\_igs.zip](#)

English

Customer View Model

[ENG\\_CVM\\_CVM\\_1-1734775-1\\_C.3d\\_stp.zip](#)

English

By downloading the CAD file I accept and agree to the [Terms and Conditions](#) of use.

### Product Specifications

USB CONNECTOR, RCPT. TYPE.

English

Product Specification

English