



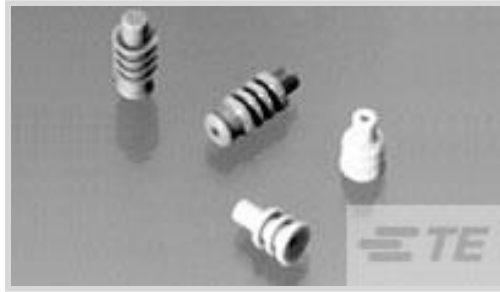
Econoseal | Econoseal J - Mark II

TE Internal #: 1-172888-3

Single Wire Seal (SWS), 4.4 mm [.173 in] Cavity Diameter, -40 – 130 °C [-40 – 266 °F], Brown, Silicone, Econoseal J - Mark II

[View on TE.com >](#)

Connectors > Connector Accessories > Connector Seals & Cavity Plugs



Connector Seal & Plug Type: **Single Wire Seal (SWS)**

Cavity Diameter: **4.4 mm [.173 in]**

Operating Temperature Range: **-40 – 130 °C [-40 – 266 °F]**

Primary Product Color: **Brown**

Primary Product Material: **Silicone**

Features

Product Type Features

| | |
|----------------------------|------------------------|
| Connector Seal & Plug Type | Single Wire Seal (SWS) |
|----------------------------|------------------------|

Body Features

| | |
|--------------------------|----------|
| Primary Product Color | Brown |
| Primary Product Material | Silicone |

Dimensions

| | |
|--------------------------------------|-----------------------------|
| Wire Size | 20 – 16 AWG |
| Cavity Diameter | 4.4 mm [.173 in] |
| Compatible Insulation Diameter Range | 2 – 2.6 mm [.079 – .102 in] |

Usage Conditions

| | |
|-----------------------------|-----------------------------|
| Operating Temperature Range | -40 – 130 °C [-40 – 266 °F] |
| Operating Temperature (Max) | 130 °C [266 °F] |

Other

| | |
|----------------------------|------|
| Resistance to Hydrocarbons | Poor |
| Shore A Hardness | 40 |
| Contains Lubricant | Yes |

Product Compliance

[For compliance documentation, visit the product page on TE.com>](#)



| | |
|---|--|
| EU RoHS Directive 2011/65/EU | Compliant |
| EU ELV Directive 2000/53/EC | Compliant |
| China RoHS 2 Directive MIIT Order No 32, 2016 | 有害物质含量符合标准要求 No Restricted Substance(s) Above Threshold |
| EU REACH Regulation (EC) No. 1907/2006 | Current ECHA Candidate List: JUNE 2025 (250) Candidate List Declared Against: JAN 2025 (247) Does not contain REACH SVHC |
| Halogen Content | Low Halogen - Br, Cl, F < 900 ppm per homogenous material. Also BFR/CFR/PVC Free |
| Solder Process Capability | Not applicable for solder process capability |

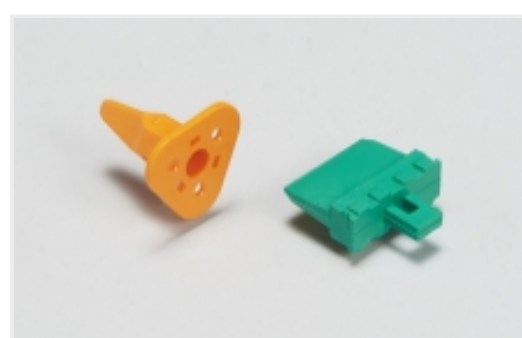
Product Compliance Disclaimer

This information is provided based on reasonable inquiry of our suppliers and represents our current actual knowledge based on the information they provided. This information is subject to change. The part numbers that TE has identified as EU RoHS compliant have a maximum concentration of 0.1% by weight in homogenous materials for lead, hexavalent chromium, mercury, PBB, PBDE, DBP, BBP, DEHP, DIBP, and 0.01% for cadmium, or qualify for an exemption to these limits as defined in the Annexes of Directive 2011/65/EU (RoHS2). Finished electrical and electronic equipment products will be CE marked as required by Directive 2011/65/EU. Components may not be CE marked. Additionally, the part numbers that TE has identified as EU ELV compliant have a maximum concentration of 0.1% by weight in homogenous materials for lead, hexavalent chromium, and mercury, and 0.01% for cadmium, or qualify for an exemption to these limits as defined in the Annexes of Directive 2000/53/EC (ELV). Regarding the REACH Regulation, the information TE provides on SVHC in articles for this part number is based on the latest European Chemicals Agency (ECHA) 'Guidance on requirements for substances in articles' posted at this URL: <https://echa.europa.eu/guidance-documents/guidance-on-reach>

Compatible Parts



Also in the Series | Econoseal J - Mark II



Automotive Connector Locks & Position Assurance(3)



Automotive Housings(16)



Automotive Seals & Cavity Plugs(4)



Automotive Signal & Power Connector Housings(16)



Other Automotive Connector Accessories(2)

Customers Also Bought



TE Part #3-2600020-2
XRC PIN TERMINAL 14-18AWG Ni Plated



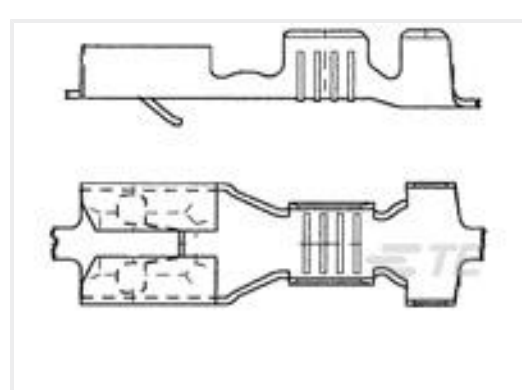
TE Part #M3041-000005-500PG
PRESS XDCR M3041-000005-500PG



TE Part #CAT-EC7491-T273
Econoseal Receptacles and Tabs



TE Part #1-280050-2
250 FASTON, FLAG, REC., 16-20 AWG, TPBR



TE Part #282180-3
FF 187 REC 0.5-1.5MM2 TPPB



TE Part #2822393-1
070 ECONOSEAL MARK-2+ PLUG 8P



TE Part #184020-1
2 POS. PLUG ASSY, KEY L, NAT



TE Part #2-1104000-3
HVT.8.STLC

Documents

[CAD Files](#)

[3D PDF](#)

English

Customer View Model

[ENG_CVM_1-172888-3_C1.2d_dxf.zip](#)

English

Customer View Model

[ENG_CVM_1-172888-3_C1.3d_igs.zip](#)



English

Customer View Model

[ENG_CVM_1-172888-3_C1.3d_stp.zip](#)

English

By downloading the CAD file I accept and agree to the [Terms and Conditions](#) of use.

Product Specifications

[Product Specification](#)

Japanese

[Product Specification](#)

English

[Product Specification](#)

Japanese

[Product Specification](#)

Japanese

[Product Specification](#)

English

[Product Specification](#)

English

[\(DESIGN OBJECTIVES\) AIR BAG CONNECTOR](#)

English

[\(DESIGN OBJECTIVES\) AIR BAG CONNECTOR](#)

Japanese

[Product Specification](#)

Japanese

Instruction Sheets

[ECONOSEAL J MARK II+ CONNECTOR \(EJ-MK II+\)](#)

English

[ECONOSEAL J MARK II+ CONNECTOR \(EJ-MK II+\)](#)

English

[ECONOSEAL J MARK II+ CONNECTOR](#)

English

[ECONOSEAL J MARK II+ CONNECTOR](#)

English