

1-1658622-3 ✓ ACTIVE

AMP-LATCH | AMP-LATCH - NOVO

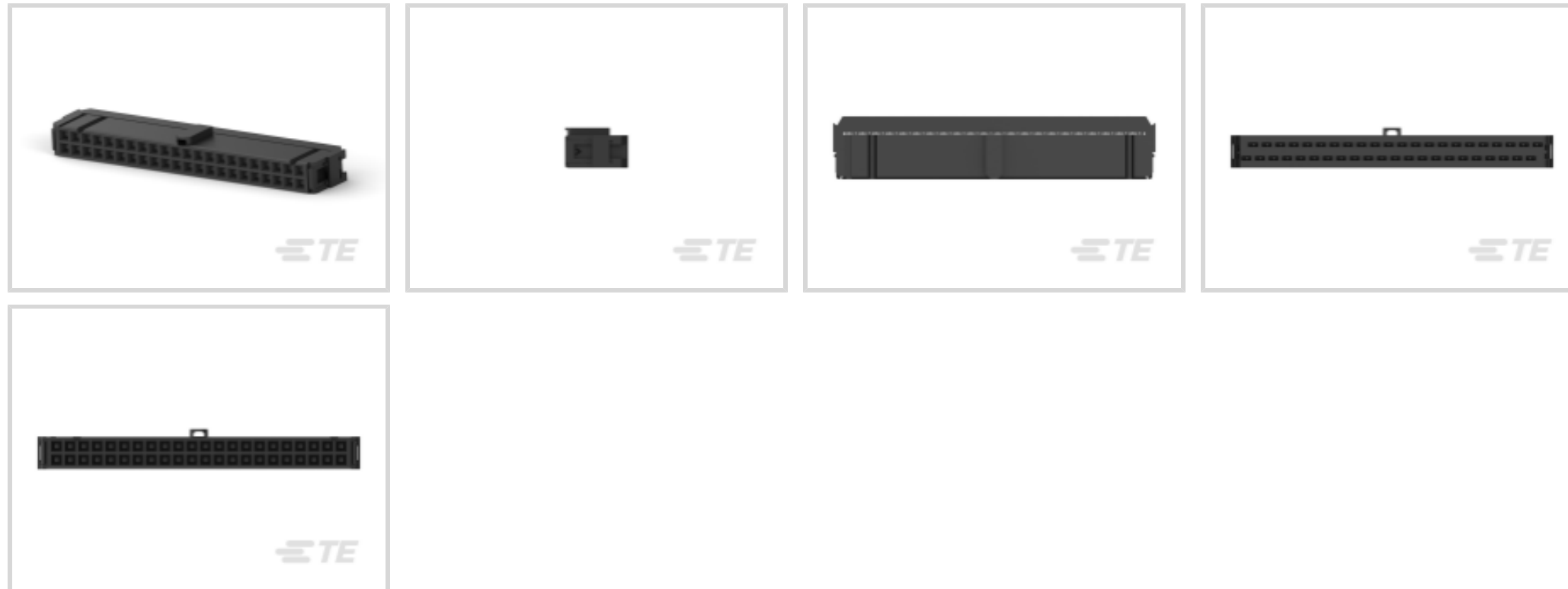
TE Internal #: 1-1658622-3

Wire-to-Board, 44 Position, 2.54 mm [.1 in] Centerline, Vertical,
Through Hole - Solder, 2 Row, Receptacle, AMP-LATCH - NOVO,
Ribbon Cable Connectors

[View on TE.com >](#)



Connectors > PCB Connectors > Wire-to-Board Connectors > FFC, FPC & Ribbon Connectors > Ribbon Cable Connectors



Connector System: **Wire-to-Board**

Number of Positions: **44**

Centerline (Pitch): **2.54 mm [.1 in]**

PCB Mount Retention: **Without**

PCB Mount Orientation: **Vertical**

Features

Electrical Characteristics

Operating Voltage	250 VAC
Insulation Resistance	5000 MΩ

Industry Standards

Compatible With Agency/Standards Products	UL, CSA
UL Rating	Recognized
UL Flammability Rating	UL 94V-0
Compatible With Approved Standards Products	UL E28476, CSA LR7189

Packaging Features

Packaging Quantity	50
Packaging Method	Box & Carton

Contact Features

Contact Underplating Material	Nickel
Mating Pin Diameter	.64 mm[.025 in]
Contact Mating Area Plating Material Thickness	.76 μm[29.92 μin]



Wire Contact Termination Area Plating Material	Tin
Mating Square Post Dimension	.64 mm[.025 in]
Contact Shape & Form	Tuning Fork
Contact Mating Area Plating Material	Gold Flash over Palladium Nickel, Gold
Contact Base Material	Phosphor Bronze
Wire Contact Termination Area Plating Thickness	1.27 μ m[50 μ in]
Contact Type	Socket
Contact Current Rating (Max)	1 A

Body Features

Daisy Chain	Without
Primary Product Color	Black
Connector Profile	Low

Dimensions

Compatible Insulation Diameter Range	.79 – .94 mm[.031 – .037 in]
Connector Width	7.49 mm[.295 in]
Wire Size	28 – 26 AWG
Connector Height	15.16 mm[.597 in]
Connector Length	60.45 mm[2.38 in]
Row-to-Row Spacing	2.54 mm[.1 in]

Termination Features

Termination Method to Wire & Cable	Insulation Displacement (IDC)
Termination Method to PCB	Through Hole - Solder

Mechanical Attachment

Panel Mount Feature	Without
Mating Alignment	With
PCB Mount Alignment	Without
PCB Mount Retention	Without
Mating Alignment Type	Polarization
Mating Retention	Without
Connector Mounting Type	Cable Mount (Free-Hanging)

Housing Features

Housing Material	Thermoplastic
------------------	---------------



Centerline (Pitch)	2.54 mm[.1 in]
--------------------	----------------

Product Type Features

Connector Product Type	Connector Assembly
Ribbon Cable Connector Header Type	Pin Header
Connector System	Wire-to-Board
Connector & Housing Type	Receptacle
Connector & Contact Terminates To	Wire & Cable

Configuration Features

Number of Positions	44
PCB Mount Orientation	Vertical
Number of Rows	2

Usage Conditions

Operating Temperature Range	-65 – 105 °C[-85 – 221 °F]
-----------------------------	----------------------------

Operation/Application

Circuit Application	Signal
---------------------	--------

Other

EU RoHS Compliance	Compliant
EU ELV Compliance	Compliant

Product Compliance

[For compliance documentation, visit the product page on TE.com>](#)

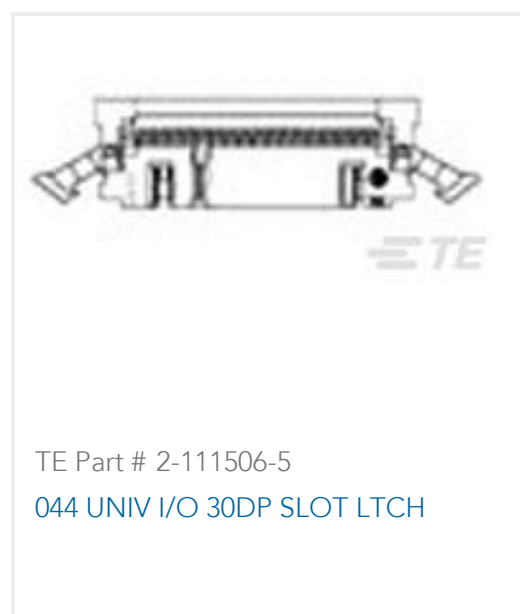
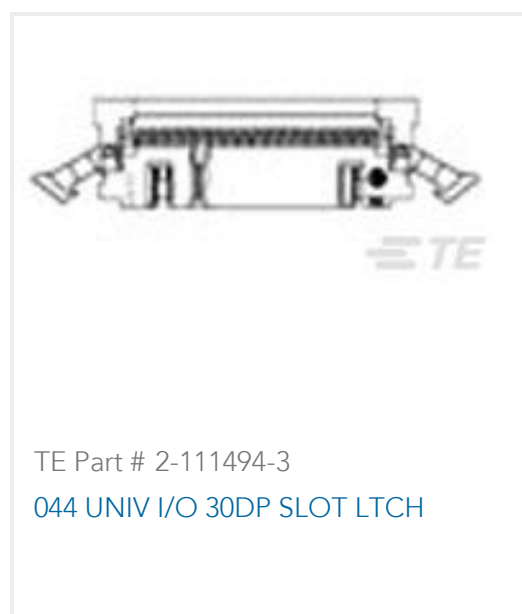
EU RoHS Directive 2011/65/EU	Compliant
EU ELV Directive 2000/53/EC	Compliant
China RoHS 2 Directive MIIT Order No 32, 2016	No Restricted Materials Above Threshold
EU REACH Regulation (EC) No. 1907/2006	Current ECHA Candidate List: JUNE 2024 (241) Candidate List Declared Against: JUNE 2024 (241) Does not contain REACH SVHC
Halogen Content	Not Low Halogen - contains Br or Cl > 900 ppm.
Solder Process Capability	Not applicable for solder process capability

Product Compliance Disclaimer

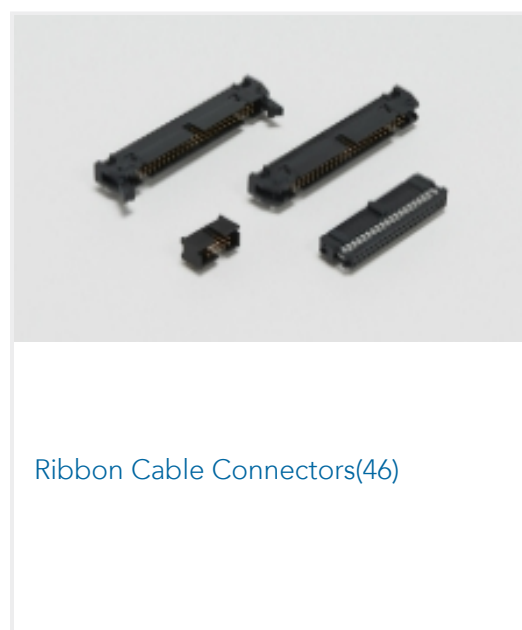


This information is provided based on reasonable inquiry of our suppliers and represents our current actual knowledge based on the information they provided. This information is subject to change. The part numbers that TE has identified as EU RoHS compliant have a maximum concentration of 0.1% by weight in homogenous materials for lead, hexavalent chromium, mercury, PBB, PBDE, DBP, BBP, DEHP, DIBP, and 0.01% for cadmium, or qualify for an exemption to these limits as defined in the Annexes of Directive 2011/65/EU (RoHS2). Finished electrical and electronic equipment products will be CE marked as required by Directive 2011/65/EU. Components may not be CE marked. Additionally, the part numbers that TE has identified as EU ELV compliant have a maximum concentration of 0.1% by weight in homogenous materials for lead, hexavalent chromium, and mercury, and 0.01% for cadmium, or qualify for an exemption to these limits as defined in the Annexes of Directive 2000/53/EC (ELV). Regarding the REACH Regulation, the information TE provides on SVHC in articles for this part number is based on the latest European Chemicals Agency (ECHA) 'Guidance on requirements for substances in articles' posted at this URL: <https://echa.europa.eu/guidance-documents/guidance-on-reach>

Compatible Parts



Also in the Series | AMP-LATCH - NOVO



Customers Also Bought



TE Part #1633966-1
CRIMPER, INSUL O



TE Part #208717-1
RECEPT ASSY,SZ 14,CMC



TE Part #647401-3
03P SL156 HSG W/RAMP,LRG OPEN



TE Part #323008
PIDG R 22-16 COMM 22-18 MIL 6



TE Part #1658622-3
16 NOVO MIL/CTR 30DP,LEAD FREE



TE Part #6-534206-0
20 MODII VRT DR CE 100/115



TE Part #5-1625984-2
HSA50 390R 5%



TE Part #3-647485-1
SL156 HOODED CONT,LID, LP LF



TE Part #208716-1
CMC PLUG ASSEMBLY,SZ 14



TE Part #2-1803224-5
CRIMPER,WIRE F

Documents

Product Drawings

[44 NOVO MIL/CTR 30DP,LEAD FREE](#)

English

CAD Files

Customer View Model

[ENG_CVM_CVM_1-1658622-3_B.2d_dxf.zip](#)

English

3D PDF

3D

Customer View Model

[ENG_CVM_CVM_1-1658622-3_B.3d_igs.zip](#)

English

Customer View Model

[ENG_CVM_CVM_1-1658622-3_B.3d_stp.zip](#)

English

By downloading the CAD file I accept and agree to the [Terms and Conditions](#) of use.

Product Specifications



Application Specification

English

Instruction Sheets

Instruction Sheet (U.S.)

English

Agency Approvals

Agency Approval Document

English