

HSA101R5J ✓ ACTIVE

CGS | CGS HS

TE Internal #: 1-1625966-7

1.5 ohm Chassis Mount Resistor, 16 W, Wire Wound, 2

Terminations, ± 50 ppm/ $^{\circ}\text{C}$, 5 %, Solder Lug, Loose Piece - Tray, 11 mm [.433 in] Height, CGS HS

[View on TE.com >](#)



Passive Components > Resistors > Chassis Mount Resistors > Power Resistors: Aluminum Housed, HSA



Resistor Type: **Power Resistor**

Resistance Class: **Up to 1k Ω**

Resistance Value: **1.5 Ω**

Power Rating: **16 W**

Element Type: **Wire Wound**

[All Power Resistors: Aluminum Housed, HSA \(384\)](#)

Features

Electrical Characteristics

Operating Voltage	265 V
Resistance Class	Up to 1k Ω
Resistance Value	1.5 Ω
Power Rating	16 W
Passive Component Tolerance	5 %

Product Type Features

Resistor Type	Power Resistor
Element Type	Wire Wound

Configuration Features

Number of Resistors	1
---------------------	---

Termination Features

Number of Terminations	2
Chassis Mount Resistor Termination Type	Solder Lug

Mechanical Attachment

Panel Mount Feature Type	Flange with Mounting Holes
--------------------------	----------------------------

Dimensions



Product Height	11 mm[.433 in]
Product Length	36.5 mm[1.437 in]
Product Width	21 mm[.827 in]

Usage Conditions

Temperature Coefficient	±50 ppm/°C
-------------------------	------------

Packaging Features

Packaging Method	Loose Piece - Tray
------------------	--------------------

Other

EU RoHS Compliance	Compliant
EU ELV Compliance	Compliant

Product Compliance

[For compliance documentation, visit the product page on TE.com>](#)

EU RoHS Directive 2011/65/EU	Compliant
EU ELV Directive 2000/53/EC	Compliant
China RoHS 2 Directive MIIT Order No 32, 2016	No Restricted Materials Above Threshold
EU REACH Regulation (EC) No. 1907/2006	Current ECHA Candidate List: JUNE 2024 (241) Candidate List Declared Against: JUN 2020 (209) Does not contain REACH SVHC
Halogen Content	Not Yet Reviewed for halogen content
Solder Process Capability	Hand solderable with lead free solder

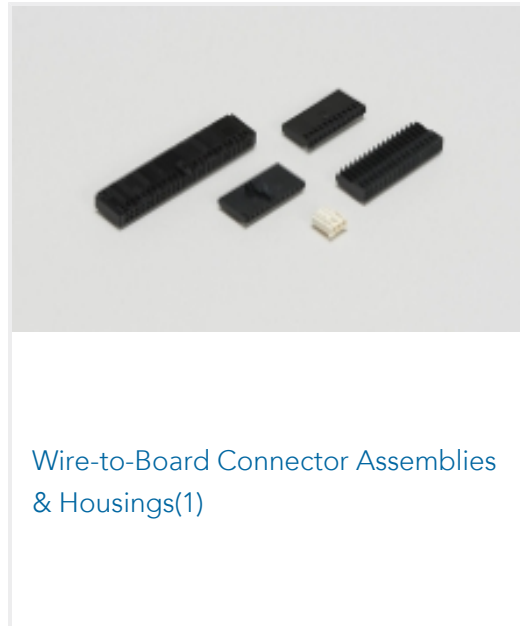
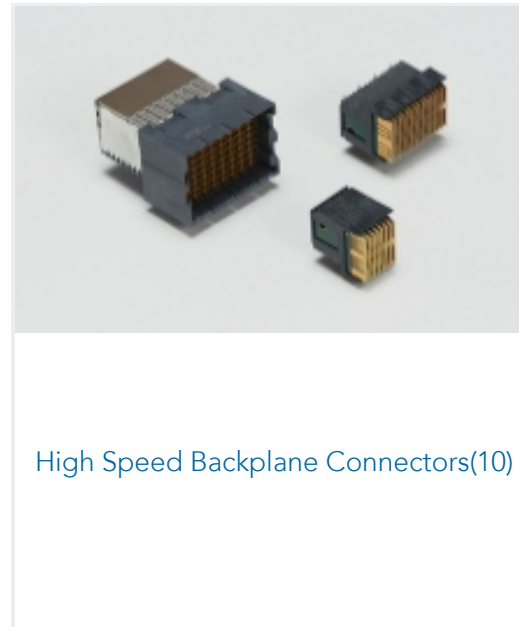
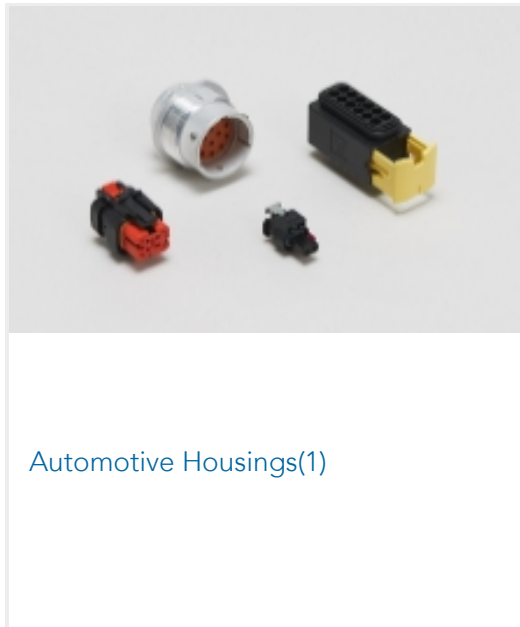
Product Compliance Disclaimer

This information is provided based on reasonable inquiry of our suppliers and represents our current actual knowledge based on the information they provided. This information is subject to change. The part numbers that TE has identified as EU RoHS compliant have a maximum concentration of 0.1% by weight in homogenous materials for lead, hexavalent chromium, mercury, PBB, PBDE, DBP, BBP, DEHP, DIBP, and 0.01% for cadmium, or qualify for an exemption to these limits as defined in the Annexes of Directive 2011/65/EU (RoHS2). Finished electrical and electronic equipment products will be CE marked as required by Directive 2011/65/EU. Components may not be CE marked. Additionally, the part numbers that TE has identified as EU ELV compliant have a maximum concentration of 0.1% by weight in homogenous materials for lead, hexavalent chromium, and mercury, and 0.01% for cadmium, or qualify for an exemption to these limits as defined in the Annexes of Directive 2000/53/EC (ELV). Regarding the REACH Regulation, the information TE provides on SVHC in articles for this part number is based on the latest European Chemicals Agency (ECHA) 'Guidance on requirements for substances in articles' posted at this URL: <https://echa.europa.eu/guidance-documents/guidance-on-reach>

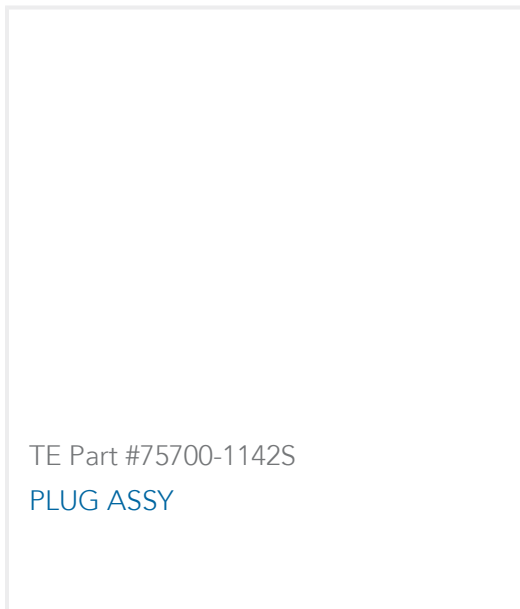
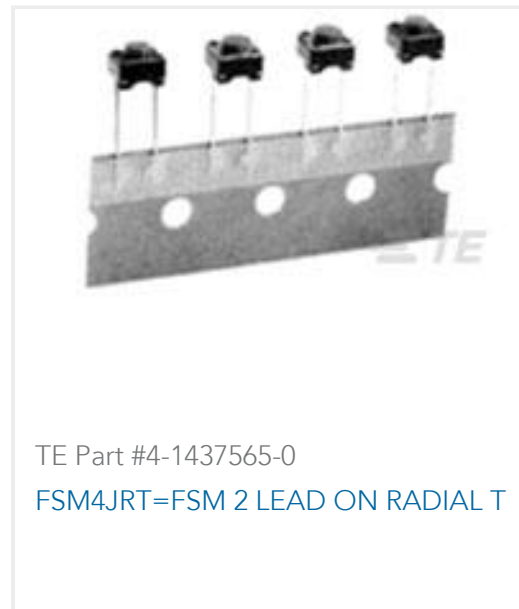
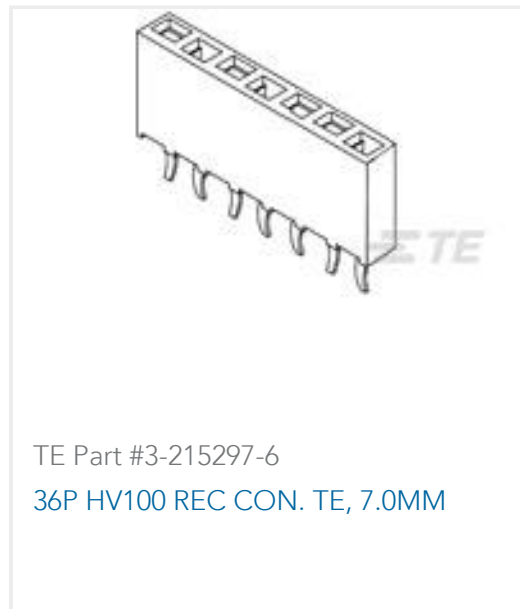
Compatible Parts



Also in the Series | **CGS HS**



Customers Also Bought





Documents

Product Drawings

[HSA10 1R5 5%](#)

English

CAD Files

Customer View Model

[ENG_CVM_CVM_1-1625966-7_W.2d_dxf.zip](#)

English

[3D PDF](#)

3D

Customer View Model

[ENG_CVM_CVM_1-1625966-7_W.3d_igs.zip](#)

English

Customer View Model

[ENG_CVM_CVM_1-1625966-7_W.3d_stp.zip](#)

English

By downloading the CAD file I accept and agree to the [Terms and Conditions](#) of use.

Datasheets & Catalog Pages

[4-1773460-6_RESISTIVE_SOLUTIONS_RAIL](#)

English

[8-1773459-4_POWER_FILTERING_AND_RESISTIVE_SOLUTIONS_FOR_ELEVATORS_AND_ESCALATORS](#)

English

[Aluminium Housed Power Resistors - Type HS Series](#)

English