



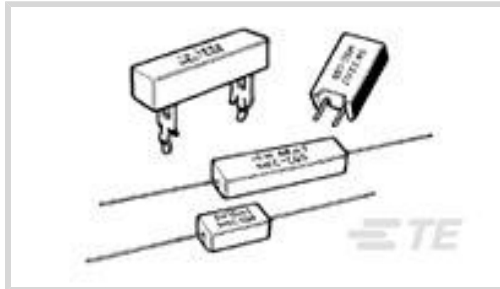
CGS | CGS SQ

TE Internal #: 1-1623797-5

68 ohm, Through-Hole Power Resistor, Wire Wound, 10 W, 5 %, ±300 ppm/°C, Radial-Leaded Pluggable, Steel Termination, 48 x 10 x 10 mm, CGS SQ

[View on TE.com >](#)

Passive Components > Resistors > Through-Hole Resistors > Wirewound Resistor: Horizontal Mount



Resistance Value: 68 Ω

Resistor Type: Power Resistor

Element Type: Wire Wound

Power Rating: 10 W

Resistance Class: Up to 1kΩ

[All Wirewound Resistor: Horizontal Mount \(156\)](#)

Features

Usage Conditions

Operating Temperature Range	-55 – 250 °C
Temperature Coefficient	±300 ppm/°C

Electrical Characteristics

Resistance Value	68 Ω
Power Rating	10 W
Resistance Class	Up to 1kΩ
Passive Component Tolerance	5 %

Product Type Features

Resistor Type	Power Resistor
Element Type	Wire Wound

Configuration Features

Number of Resistors	1
---------------------	---

Body Features

Lead Type	Radial-Leaded Pluggable
-----------	-------------------------

Termination Features

Termination Area Base Material	Steel
--------------------------------	-------



Number of Terminations 2

Dimensions

Passive Component Dimensions 48 x 10 x 10 mm

Packaging Features

Packaging Method Loose Piece - Box

Other

EU RoHS Compliance Compliant

EU ELV Compliance Compliant

Product Compliance

[For compliance documentation, visit the product page on TE.com>](#)

EU RoHS Directive 2011/65/EU Compliant

EU ELV Directive 2000/53/EC Compliant

China RoHS 2 Directive MIIT Order No 32, 2016 No Restricted Materials Above Threshold

EU REACH Regulation (EC) No. 1907/2006
 Current ECHA Candidate List: JUNE 2024 (241)
 Candidate List Declared Against: JUNE 2024 (241)
 Does not contain REACH SVHC

Halogen Content Low Halogen - Br, Cl, F, I < 900 ppm per homogenous material. Also BFR/CFR/PVC Free

Solder Process Capability Wave solder capable to 265°C

Product Compliance Disclaimer

This information is provided based on reasonable inquiry of our suppliers and represents our current actual knowledge based on the information they provided. This information is subject to change. The part numbers that TE has identified as EU RoHS compliant have a maximum concentration of 0.1% by weight in homogenous materials for lead, hexavalent chromium, mercury, PBB, PBDE, DBP, BBP, DEHP, DIBP, and 0.01% for cadmium, or qualify for an exemption to these limits as defined in the Annexes of Directive 2011/65/EU (RoHS2). Finished electrical and electronic equipment products will be CE marked as required by Directive 2011/65/EU. Components may not be CE marked. Additionally, the part numbers that TE has identified as EU ELV compliant have a maximum concentration of 0.1% by weight in homogenous materials for lead, hexavalent chromium, and mercury, and 0.01% for cadmium, or qualify for an exemption to these limits as defined in the Annexes of Directive 2000/53/EC (ELV). Regarding the REACH Regulation, the information TE provides on SVHC in articles for this part number is based on the latest European Chemicals Agency (ECHA) 'Guidance on requirements for substances in articles' posted at this URL: <https://echa.europa.eu/guidance-documents/guidance-on-reach>

Compatible Parts



TE Part # CAT-C339-SQ1
Wirewound Resistor: Vertical Mount

Also in the Series | CGS SQ



Through-Hole Resistors(659)

Customers Also Bought



TE Part #1622907-1
CRG0603 1% 2K7



TE Part #5499374-2
A/L UNIV HDR 14P VERT SHT LAT



TE Part #9-1879253-4
RP 2B 22R1 0.1% 15PPM CUT LENGTH



TE Part #5-2176070-5
3521 1K8 1% 2W



TE Part #2176611-1
EP 2W (SS) 1R0 5%



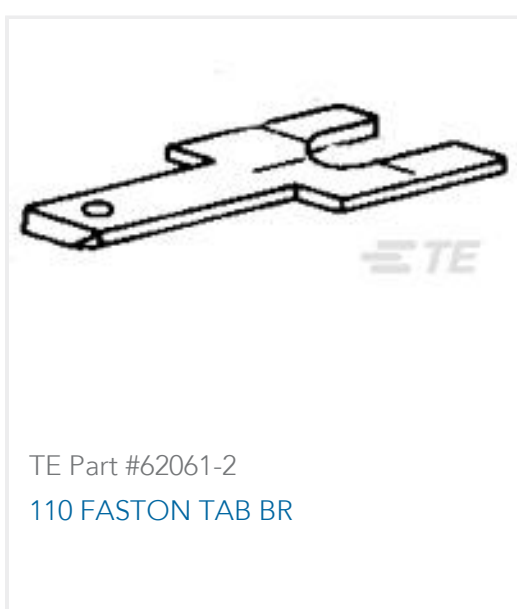
TE Part #5-643817-0
20P MTA156 CONN ASSY 18AWG LF



TE Part #4-1393122-4
KHAU-17D11-24=KH



TE Part #2-1393222-0
V23061A1005A302=MINISTARKSTROM



TE Part #62061-2
110 FASTON TAB BR



TE Part #1393277-4
V23076A1001C133



Documents

Product Drawings

[SQZ10 68R 5% \(WIRE\)](#)

English

Datasheets & Catalog Pages

[4-1773460-6_RESISTIVE_SOLUTIONS_RAIL](#)

English

[1309350_PASSIVE_COMPONENT](#)

English

[8-1773459-4_POWER_FILTERING_AND_RESISTIVE_SOLUTIONS_FOR_ELEVATORS_AND_ESCALATORS](#)

English

[High Power Resistors - Type SQ Series](#)

English