



CGS | CGS SQ

TE Internal #: 1-1623797-2

82 ohm, Through-Hole Power Resistor, Wire Wound, 10 W, 5 %, ±300 ppm/°C, Radial-Leaded Pluggable, Steel Termination, 48 x 10 x 10 mm, CGS SQ

[View on TE.com >](#)

Passive Components > Resistors > Through-Hole Resistors



Resistance Value: **82 Ω**

Resistor Type: **Power Resistor**

Element Type: **Wire Wound**

Power Rating: **10 W**

Resistance Class: **Up to 1kΩ**

Features

Usage Conditions

Operating Temperature Range	-55 – 250 °C
Temperature Coefficient	±300 ppm/°C

Electrical Characteristics

Resistance Value	82 Ω
Power Rating	10 W
Resistance Class	Up to 1kΩ
Passive Component Tolerance	5 %

Product Type Features

Resistor Type	Power Resistor
Element Type	Wire Wound

Configuration Features

Number of Resistors	1
---------------------	---

Body Features

--	--



Lead Type	Radial-Leaded Pluggable
-----------	-------------------------

Termination Features

Termination Area Base Material	Steel
Number of Terminations	2

Dimensions

Passive Component Dimensions	48 x 10 x 10 mm
------------------------------	-----------------

Packaging Features

Packaging Method	Loose Piece
------------------	-------------

Other

EU RoHS Compliance	Compliant
EU ELV Compliance	Compliant

Product Compliance

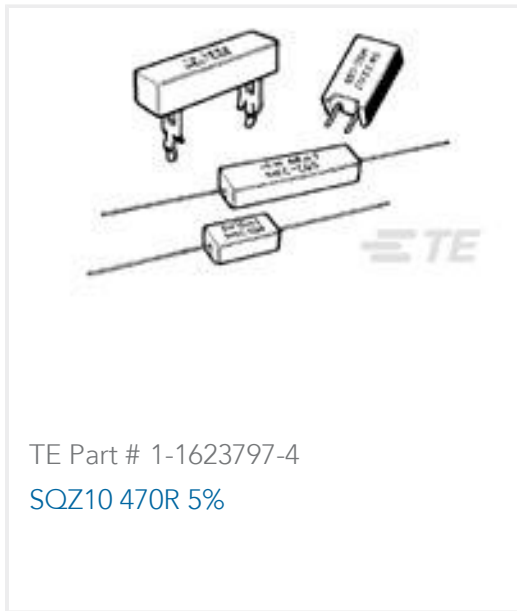
[For compliance documentation, visit the product page on TE.com>](#)

EU RoHS Directive 2011/65/EU	Compliant
EU ELV Directive 2000/53/EC	Compliant
China RoHS 2 Directive MIIT Order No 32, 2016	No Restricted Materials Above Threshold
EU REACH Regulation (EC) No. 1907/2006	Current ECHA Candidate List: JUNE 2024 (241) Candidate List Declared Against: JUNE 2024 (241) Does not contain REACH SVHC
Halogen Content	Low Halogen - Br, Cl, F, I < 900 ppm per homogenous material. Also BFR/CFR/PVC Free
Solder Process Capability	Wave solder capable to 265°C

Product Compliance Disclaimer

This information is provided based on reasonable inquiry of our suppliers and represents our current actual knowledge based on the information they provided. This information is subject to change. The part numbers that TE has identified as EU RoHS compliant have a maximum concentration of 0.1% by weight in homogenous materials for lead, hexavalent chromium, mercury, PBB, PBDE, DBP, BBP, DEHP, DIBP, and 0.01% for cadmium, or qualify for an exemption to these limits as defined in the Annexes of Directive 2011/65/EU (RoHS2). Finished electrical and electronic equipment products will be CE marked as required by Directive 2011/65/EU. Components may not be CE marked. Additionally, the part numbers that TE has identified as EU ELV compliant have a maximum concentration of 0.1% by weight in homogenous materials for lead, hexavalent chromium, and mercury, and 0.01% for cadmium, or qualify for an exemption to these limits as defined in the Annexes of Directive 2000/53/EC (ELV). Regarding the REACH Regulation, the information TE provides on SVHC in articles for this part number is based on the latest European Chemicals Agency (ECHA) 'Guidance on requirements for substances in articles' posted at this URL: <https://echa.europa.eu/guidance-documents/guidance-on-reach>

Compatible Parts



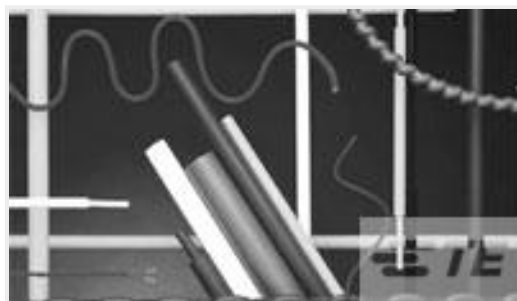
TE Part # 1-1623797-4
SQZ10 470R 5%

Also in the Series | CGS SQ



Through-Hole Resistors(659)

Customers Also Bought



TE Part #5069864018
CGPT-12.7/6.4-0-SP



TE Part #825433-6
MOD II SR HDR ASSY 6 POS



TE Part #2-1393225-1
RY611024



TE Part #794607-1
MICRO MNL RPT CNT STRIP 26-30



TE Part #928814-1
250 FASTON TAB TPBR



TE Part #1-1437719-2
T01-0540-P05-MALE PLUG
CONNECTOR-CRIMP



TE Part #1413009-9
V23086C2001A403

Documents

[Product Drawings](#)

[SQZ10 82R 5%](#)

English

[Datasheets & Catalog Pages](#)

SQZW1082RJ

82 ohm, Through-Hole Power Resistor, Wire Wound, 10 W, 5 %, ± 300 ppm/ $^{\circ}$ C, Radial-Leaded Pluggable, Steel Termination, 48 x 10 x 10 mm, CGS SQ



High Power Resistors - Type SQ Series

English