



Kilovac | Kilovac EV200

TE Internal #: 1-1618002-1

High Voltage Contactor, DC, 1 Form X SPST-NO, 500 A Contact Rating, 32 – 95 VDC Coil Voltage, 12 – 900 VDC Contact Voltage, Kilovac EV200

[View on TE.com >](#)

Relays & Contactors > Electromechanical Relays



Relay & Contactor Type: **High Voltage Contactor**

Contact Current Rating: **500 A**

Contact Arrangement: **1 Form X SPST-NO**

Current Type: **DC**

Coil Voltage Rating: **32 – 95 VDC**

## Features

### Product Type Features

Relay & Contactor Type	High Voltage Contactor
------------------------	------------------------

### Configuration Features

Relay Options	Not RF Rated, Power Switching
Contact Arrangement	1 Form X SPST-NO

### Electrical Characteristics

Contact Switching Voltage (Max)	900 VDC
Contact Current Rating	500 A
Coil Voltage Rating	32 – 95 VDC
Contact Voltage Rating	12 – 900 VDC
Coil Resistance	40 Ω

### Contact Features

Contact Material	Copper
------------------	--------

### Termination Features

Main Termination & Connection Type	Stud Terminals
Coil Termination & Connection Type	Flying Leads

### Mechanical Attachment

Product Mounting Feature Type	Flange with Mounting Holes
-------------------------------	----------------------------



Product Mount Type

Chassis Mount

### Operation/Application

Current Type

DC

### Other

Contact Current Class

&gt;200 – ≤500 A

## Product Compliance

For compliance documentation, visit the product page on [TE.com](#)>

EU RoHS Directive 2011/65/EU

Compliant

EU ELV Directive 2000/53/EC

Compliant

China RoHS 2 Directive MIIT Order No 32, 2016

有害物质含量符合标准要求 No Restricted Substance(s) Above Threshold

EU REACH Regulation (EC) No. 1907/2006

Current ECHA Candidate List: JUNE 2025 (250)  
Candidate List Declared Against: JUNE 2024 (241)  
Does not contain REACH SVHC

Halogen Content

Low Halogen - Br, Cl, F < 900 ppm per homogenous material. Also BFR/CFR/PVC Free

Solder Process Capability

Hand solderable with lead free solder

#### Product Compliance Disclaimer

This information is provided based on reasonable inquiry of our suppliers and represents our current actual knowledge based on the information they provided. This information is subject to change. The part numbers that TE has identified as EU RoHS compliant have a maximum concentration of 0.1% by weight in homogenous materials for lead, hexavalent chromium, mercury, PBB, PBDE, DBP, BBP, DEHP, DIBP, and 0.01% for cadmium, or qualify for an exemption to these limits as defined in the Annexes of Directive 2011/65/EU (RoHS2). Finished electrical and electronic equipment products will be CE marked as required by Directive 2011/65/EU. Components may not be CE marked. Additionally, the part numbers that TE has identified as EU ELV compliant have a maximum concentration of 0.1% by weight in homogenous materials for lead, hexavalent chromium, and mercury, and 0.01% for cadmium, or qualify for an exemption to these limits as defined in the Annexes of Directive 2000/53/EC (ELV). Regarding the REACH Regulation, the information TE provides on SVHC in articles for this part number is based on the latest European Chemicals Agency (ECHA) 'Guidance on requirements for substances in articles' posted at this URL: <https://echa.europa.eu/guidance-documents/guidance-on-reach>

## Compatible Parts



TE Part # 4-1618391-2  
LEV100A6ANH=RELAY,SPST-NO,  
48VDC VMT 15

## Also in the Series

## Customers Also Bought



TE Part #CAT-H396-CH8172  
DEUTSCH HDP20 Housings



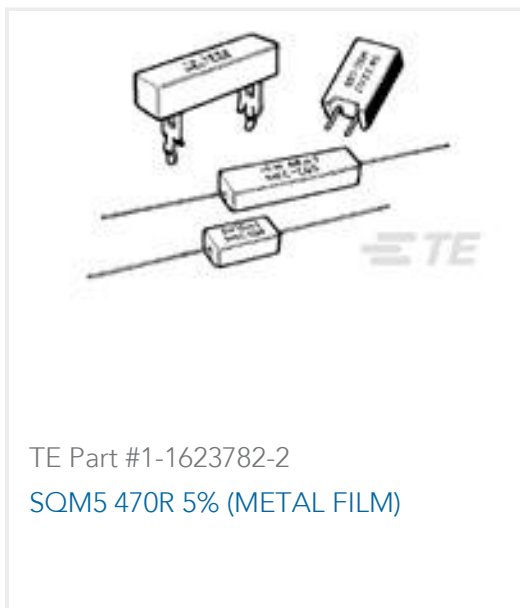
TE Part #CAT-AL6-KSPR29300  
Power Relay, 300A, Standard,  
Monostable, DC



TE Part #AKA020N00620200000  
623 EXTENSION, SPEEDTEC-READY



TE Part #1-163037-0  
03P M-N-L.PIN.HSG.



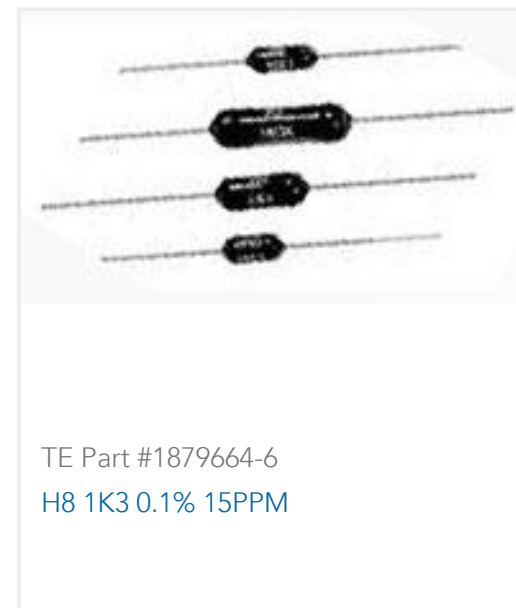
TE Part #1-1623782-2  
SQM5 470R 5% (METAL FILM)



TE Part #1624127-2  
23E 2K2A 6.35X50FL B7 CAT



TE Part #1624206-2  
23SE 2K2A 6.35X50FL B7 CAT



TE Part #1879664-6  
H8 1K3 0.1% 15PPM

## Documents

### CAD Files

#### 3D PDF

3D

#### Customer View Model

[ENG\\_CVM\\_CVM\\_1-1618002-1\\_H.2d\\_dxf.zip](#)

English

#### Customer View Model

[ENG\\_CVM\\_CVM\\_1-1618002-1\\_H.3d\\_igs.zip](#)

English

#### Customer View Model

[ENG\\_CVM\\_CVM\\_1-1618002-1\\_H.3d\\_stp.zip](#)

English

By downloading the CAD file I accept and agree to the [Terms and Conditions](#) of use.

## Datasheets & Catalog Pages



[5-1773450-5\\_sec7\\_EV200A](#)

English

---

**Agency Approvals**

**UL**

English