



CII

TE Internal #: 1-1617787-4

General Purpose Power Relay, DC, Polarized, Monostable, 4 Form C 4PDT-CO, 5 A Contact Rating, 28 VDC Coil Voltage, Panel Mount, Hermetically Sealed

[View on TE.com >](#)

Relays & Contactors > Electromechanical Relays



Relay & Contactor Type: **General Purpose Power Relay**

Current Type: **DC**

Coil Magnetic System: **Polarized, Monostable**

Contact Arrangement: **4 Form C 4PDT-CO**

Contact Current Rating: **5 A**

**Features**

**Contact Features**

Contact Material	Silver Cadmium Oxide
Terminal Plating	Tin-Lead

**Usage Conditions**

Operating Temperature Range	-70 – 125 °C[-94 – 257 °F]
Environmental Ambient Temperature (Max)	125 °C[257 °F]

**Mechanical Attachment**

Product Mounting Feature Type	Mounting Brackets
Product Mount Type	Panel Mount

**Electrical Characteristics**

Coil Resistance	400 Ω
Contact Current Rating	5 A
Coil Voltage Rating	28 VDC

**Operation/Application**

Vibration Resistance	20G's, 57 – 3000Hz
Shock Resistance	100G's, 6ms
Current Type	DC
Coil Magnetic System	Polarized, Monostable



**Product Type Features**

Relay & Contactor Type	General Purpose Power Relay
------------------------	-----------------------------

**Configuration Features**

Contact Arrangement	4 Form C 4PDT-CO
---------------------	------------------

**Body Features**

Enclosure Type	Hermetically Sealed
----------------	---------------------

**Termination Features**

Main Termination & Connection Type	Solder Hook Terminals
------------------------------------	-----------------------

Coil Termination & Connection Type	Solder Hook Terminals
------------------------------------	-----------------------

**Other**

EU RoHS Compliance	Compliant
--------------------	-----------

EU ELV Compliance	Not Compliant
-------------------	---------------

**Product Compliance**

[For compliance documentation, visit the product page on TE.com>](#)

EU RoHS Directive 2011/65/EU	Compliant
------------------------------	-----------

EU ELV Directive 2000/53/EC	Not Compliant
-----------------------------	---------------

China RoHS 2 Directive MIIT Order No 32, 2016	No Restricted Materials Above Threshold
---	---

EU REACH Regulation (EC) No. 1907/2006	Current ECHA Candidate List: JUNE 2024 (241) Candidate List Declared Against: JUNE 2024 (241) Does not contain REACH SVHC
--	---

Halogen Content	Low Halogen - Br, Cl, F, I < 900 ppm per homogenous material. Also BFR/CFR/PVC Free
-----------------	---

Solder Process Capability	Not lead free process capable
---------------------------	-------------------------------

Product Compliance Disclaimer

This information is provided based on reasonable inquiry of our suppliers and represents our current actual knowledge based on the information they provided. This information is subject to change. The part numbers that TE has identified as EU RoHS compliant have a maximum concentration of 0.1% by weight in homogenous materials for lead, hexavalent chromium, mercury, PBB, PBDE, DBP, BBP, DEHP, DIBP, and 0.01% for cadmium, or qualify for an exemption to these limits as defined in the Annexes of Directive 2011/65/EU (RoHS2). Finished electrical and electronic equipment products will be CE marked as required by Directive 2011/65/EU. Components may not be CE marked. Additionally, the part numbers that TE has identified as EU ELV compliant have a maximum concentration of 0.1% by weight in homogenous materials for lead, hexavalent chromium, and mercury, and 0.01% for cadmium, or qualify for an exemption to these limits as defined in the Annexes of Directive 2000/53/EC (ELV). Regarding the REACH Regulation, the information TE provides on SVHC in articles for this part number is based on the latest European Chemicals Agency (ECHA) 'Guidance on requirements for substances in articles' posted at this URL: <https://echa.europa.eu/guidance-documents/guidance-on-reach>

## Compatible Parts



TE Part # 4-1617758-7  
[FCB-205-0222M=M83536/2-022M](#)

## Customers Also Bought



TE Part #114017-ZZ  
[SEALING PLUG, SIZE 12/16, WHT](#)



TE Part #DT04-2P  
[REC, 2P, GRY, N](#)



TE Part #DT06-2S  
[PLG, 2P, GRY, N](#)



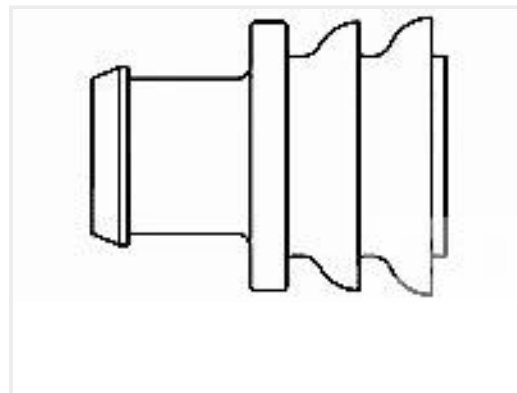
TE Part #CAT-D487-W416  
[Wedgelocks: DEUTSCH DT](#)



TE Part #CAT-D48-ST273  
[DEUTSCH Solid Contacts](#)



TE Part #CAT-AM71-CH8172  
[AMP SUPERSEAL 1.5MM, CONNECTOR HOUSING](#)



TE Part #281934-2  
[SINGLE WIRE SEAL](#)

## Documents

### Product Drawings

[FCB-405-0524L=M83536/5-024L](#)

English

### Datasheets & Catalog Pages

[5-1773450-5\\_sec5\\_FCB-405](#)

English