

1-160304-0 ✓ ACTIVE

FASTON | FASTON 250

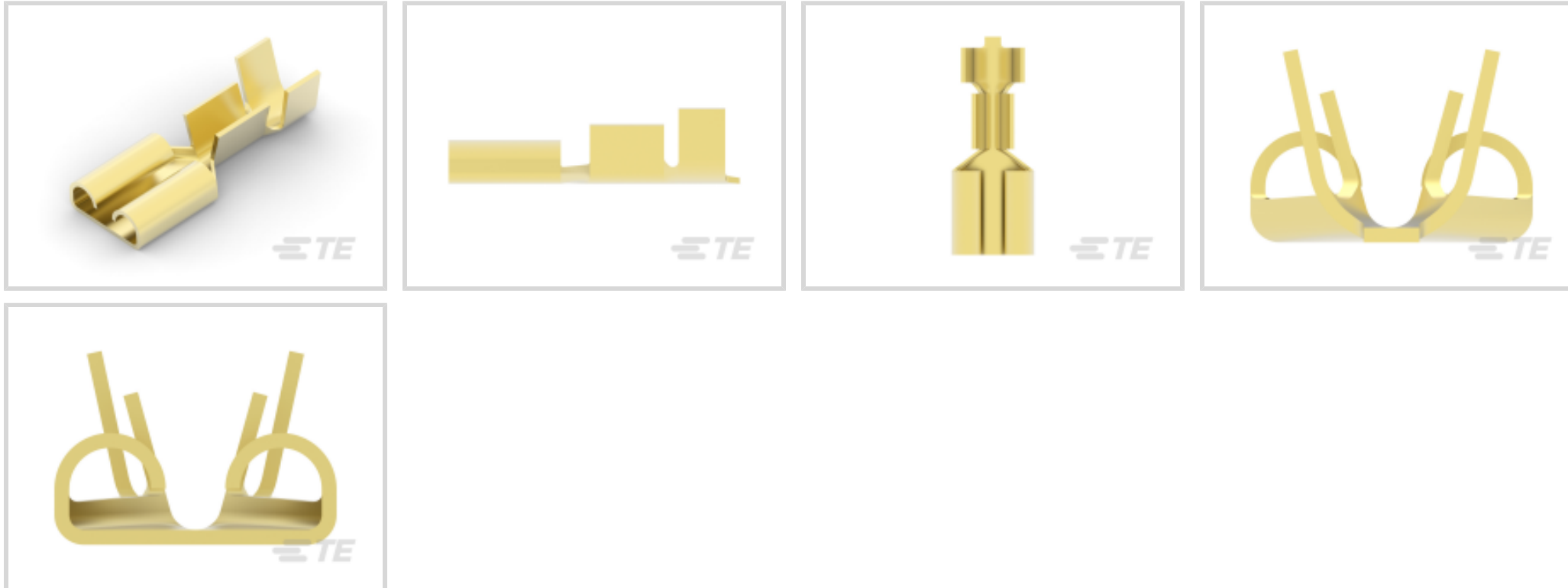
TE Internal #: 1-160304-0

Quick Disconnect Receptacle, Uninsulated, 17 – 14 AWG, 1 – 2.5 mm² Wire, 6.35 mm [.25 in] Tab Width, F-Crimp, Straight, Brass, FASTON 250

[View on TE.com >](#)



Terminals & Splices > Quick Disconnects



Quick Disconnect Terminal Type: **Receptacle**

Wire Size: 1 – 2.5 mm²

Mating Tab Width: 6.35 mm [.25 in]

Mating Tab Thickness: .81 mm [.032 in]

Features

Product Type Features

Insertion Force	Normal
-----------------	--------

Configuration Features

Compatible With Wire & Cable Type	Discrete Wire
Connection Capacity	Single

Contact Features

Quick Disconnect Terminal Type	Receptacle
Mating Tab Width	6.35 mm [.25 in]
Mating Tab Thickness	.81 mm [.032 in]
Terminal Orientation	Straight
Contact Base Material	Brass
Terminal Plating Material	Unplated
Crimp Type	F-Crimp
Barrel Type	Open

Termination Features

--	--



Product Terminates To	Wire & Cable
-----------------------	--------------

Mechanical Attachment

Wire Insulation Support	With
Mating Retention Type	Dimple

Dimensions

Product Length	20.2 mm[.795 in]
Compatible Insulation Diameter Range	3 – 4.3 mm[.118 – .169 in]
Wire Size	1 – 2.5 mm ²

Usage Conditions

Insulation Option	Uninsulated
Operating Temperature Range	-40 – 110 °C[-40 – 230 °F]

Industry Standards

Compatible With Agency/Standards Products	CSA, UL
---	---------

Packaging Features

Packaging Quantity	1000
Packaging Method	Loose Piece/Carton

Other

Line	Premier
------	---------

Product Compliance

[For compliance documentation, visit the product page on TE.com>](#)

EU RoHS Directive 2011/65/EU	Compliant
EU ELV Directive 2000/53/EC	Compliant
China RoHS 2 Directive MIIT Order No 32, 2016	有害物质含量符合标准要求 No Restricted Substance(s) Above Threshold
EU REACH Regulation (EC) No. 1907/2006	Current ECHA Candidate List: JUNE 2025 (250) Candidate List Declared Against: JUNE 2025 (250) Does not contain REACH SVHC
Halogen Content	Low Halogen - Br, Cl, F < 900 ppm per homogenous material. Also BFR/CFR/PVC Free
Solder Process Capability	Not applicable for solder process capability

Product Compliance Disclaimer

This information is provided based on reasonable inquiry of our suppliers and represents our current actual knowledge based on the information they provided. This information is subject to change. The part numbers that TE has identified as EU RoHS compliant have a maximum concentration of 0.1% by weight in homogenous materials for lead, hexavalent chromium, mercury, PBB, PBDE, DBP, BBP, DEHP, DIBP, and 0.01% for cadmium, or qualify for an exemption to these limits as defined in the Annexes of Directive 2011/65/EU (RoHS2). Finished electrical and electronic equipment products will be CE marked as required by Directive 2011/65/EU. Components may not be CE marked. Additionally, the part numbers that TE has identified as EU ELV compliant have a maximum concentration of 0.1% by weight in homogenous materials for lead, hexavalent chromium, and mercury, and 0.01% for cadmium, or qualify for an exemption to these limits as defined in the Annexes of Directive 2000/53/EC (ELV). Regarding the REACH Regulation, the information TE provides on SVHC in articles for this part number is based on the latest European Chemicals Agency (ECHA) 'Guidance on requirements for substances in articles' posted at this URL: <https://echa.europa.eu/guidance-documents/guidance-on-reach>

Compatible Parts



TE Part # 61765-1
FASTON ADAPTER .250 RECEPTACLE BR



TE Part # 674655
DAHT FASTON 22-14 ASSY



TE Part # 5-160563-2
250 FASTON REC 18-16 AWG TPBR



TE Part # 2063429-2
SDE F FASTON 250 0.35-2.50mm2 DIE SET



TE Part # 169400
CERTI-LOK FRAME W/O DIES



TE Part # 61810-2
FASTON .250 (6.3 MM) RECEPTACLE TPBR



TE Part # 2063429-1
SDE F FASTON 250 0.35-2.50mm2 ASSY



TE Part # 1742597-1
ADAPTER,FASTON,250 REC,187 TAB, BR



TE Part # 151791-1
FLAG FASTON RECEPTACLE



TE Part # 9-1579022-1
CERTILOK DIE FASTON 6.3

Also in the Series | FASTON 250



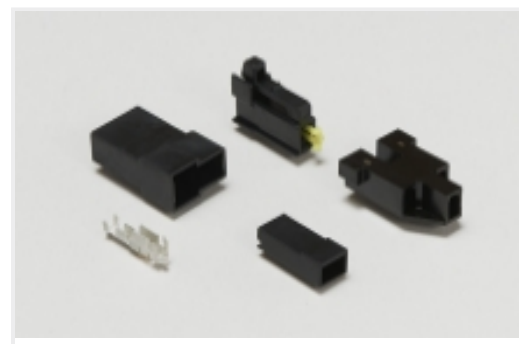
Compression Connectors(4)



Crimp Terminal Housings(117)



Insulation Boots & Sleeves(16)



Magnet Wire Terminals(1)



PCB Terminals(133)



Quick Disconnects(412)



Splices(4)

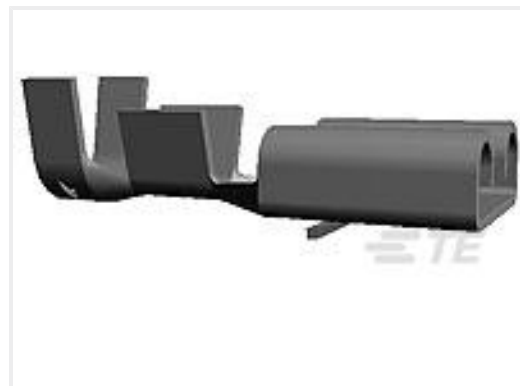
Customers Also Bought



TE Part #CAT-C73765-M1H
M12 Panel Mount PCB



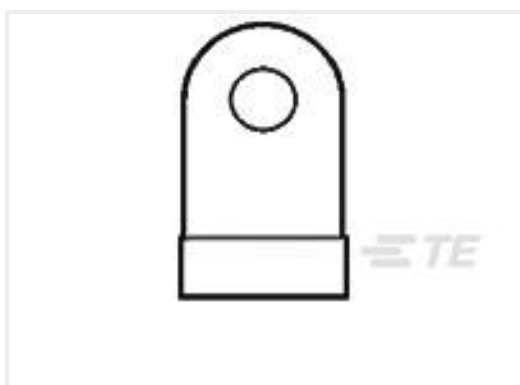
TE Part #T4113001041-000
M12,MALE,RA,A CODE,4P,PG7,GOLD



TE Part #160914-2
FF 250 REC 4-6MM2 TPBR



TE Part #206306-3
CPC RECPT SEALED SIZE 23-37



TE Part #321580
TERMINAL,SOLIS FLAG R 1/0 5/16



TE Part #1768033-7
LEB-0615P-9



TE Part #2176345-5
CRGCQ 1210 22R 1%



TE Part #5050865-5
SOCKET,MIN-SPR SN-AU SER-4

Documents

Product Drawings

250 FASTON,REC.,14-17AWG,BR

English

CAD Files

3D PDF

3D

Customer View Model

ENG_CVM_CVM_1-160304-0_A_c-1-160304-0-a.2d_dxf.zip



English

Customer View Model

[ENG_CVM_CVM_1-160304-0_A_c-1-160304-0-a.3d_igs.zip](#)

English

Customer View Model

[ENG_CVM_CVM_1-160304-0_A_c-1-160304-0-a.3d_stp.zip](#)

English

By downloading the CAD file I accept and agree to the [Terms and Conditions](#) of use.

Product Specifications

[Application Specification](#)

English

Agency Approvals

[UL Report](#)

English