



Nanonics

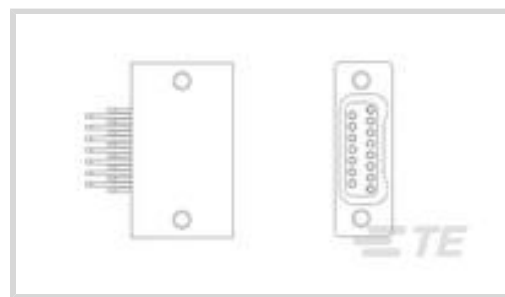
TE Internal #: 1-1589951-5

Receptacle, Wire-to-Board, 9 Position, 1.27 mm [.05 in] Centerline, Printed Circuit Board, Board Mount, Microminiature & Nanominiature D Connectors

[View on TE.com >](#)

Connectors > D-Shaped Connectors > Microminiature & Nanominiature D Connectors >

DUALOBE Receptacle Connector: Plastic Shell, 2 Row Config



Connector & Housing Type: **Receptacle**

Connector System: **Wire-to-Board**

Number of Positions: **9**

Mounting Hardware: **Screw**

Centerline (Pitch): **1.27 mm [.05 in]**

[All DUALOBE Receptacle Connector: Plastic Shell, 2 Row Config \(23\)](#)

## Features

### Termination Features

Termination Method to PCB	Surface Mount
Termination Method to Wire & Cable	Preterminated Flying Leads

### Contact Features

Contact Options	Installed
Contact Current Rating (Max)	1 A

### Housing Features

Housing Material	Aluminum
Centerline (Pitch)	1.27 mm[.05 in]

### Configuration Features

PCB Mount Orientation	Horizontal
Number of Positions	9

### Product Type Features

Connector & Housing Type	Receptacle
Connector System	Wire-to-Board
Connector & Contact Terminates To	Printed Circuit Board



### Mechanical Attachment

Mounting Hardware	Screw
Connector Mounting Type	Board Mount

### Usage Conditions

Operating Temperature Range	-65 – 125 °C[-85 – 257 °F]
-----------------------------	----------------------------

### Other

EU RoHS Compliance	Not Compliant
EU ELV Compliance	Not Compliant

### Product Compliance

[For compliance documentation, visit the product page on TE.com>](#)

EU RoHS Directive 2011/65/EU	Not Compliant
EU ELV Directive 2000/53/EC	Not Compliant
China RoHS 2 Directive MIIT Order No 32, 2016	Restricted Materials Above Threshold
EU REACH Regulation (EC) No. 1907/2006	Current ECHA Candidate List: JUNE 2024 (241) Candidate List Declared Against: JUNE 2023 (235) SVHC > Threshold: Pb (40% in Component Part) <b>Article Safe Usage Statements:</b> Do not eat, drink or smoke when using this product. Wash thoroughly after handling. Recycle if possible and dispose of the article by following all applicable governmental regulations relevant to your geographic location.
Halogen Content	Not Yet Reviewed for halogen content
Solder Process Capability	Not lead free process capable

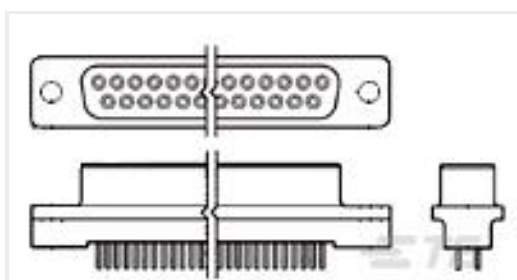
#### Product Compliance Disclaimer

This information is provided based on reasonable inquiry of our suppliers and represents our current actual knowledge based on the information they provided. This information is subject to change. The part numbers that TE has identified as EU RoHS compliant have a maximum concentration of 0.1% by weight in homogenous materials for lead, hexavalent chromium, mercury, PBB, PBDE, DBP, BBP, DEHP, DIBP, and 0.01% for cadmium, or qualify for an exemption to these limits as defined in the Annexes of Directive 2011/65/EU (RoHS2). Finished electrical and electronic equipment products will be CE marked as required by Directive 2011/65/EU. Components may not be CE marked. Additionally, the part numbers that TE has identified as EU ELV compliant have a maximum concentration of 0.1% by weight in homogenous materials for lead, hexavalent chromium, and mercury, and 0.01% for cadmium, or qualify for an exemption to these limits as defined in the Annexes of Directive 2000/53/EC (ELV). Regarding the REACH Regulation, the information TE provides on SVHC in articles for this part number is based on the latest European Chemicals Agency (ECHA) 'Guidance on requirements for substances in articles' posted at this URL: <https://echa.europa.eu/guidance-documents/guidance-on-reach>

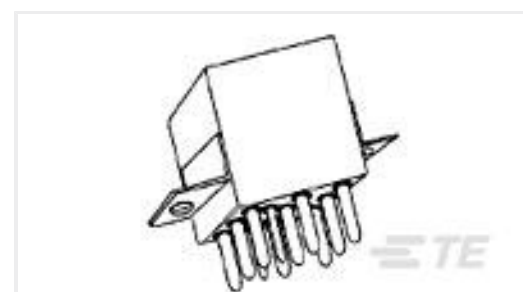
### Compatible Parts

TE Part # 1589666-5  
302-0009-02 = CLEADFRAME

## Customers Also Bought



TE Part #5207841-3  
HD-20 RCPT 9P VERT THD INS



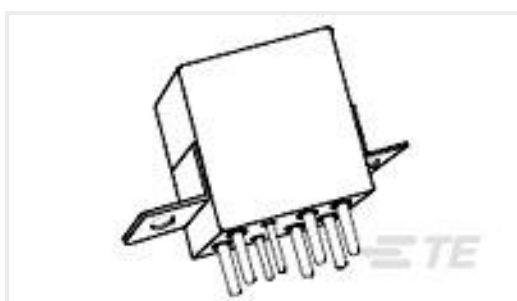
TE Part #4-1617753-9  
FCA-325-BZ3



TE Part #2000713-4  
RA Keyed Guide Mod, Vita 46,  
Machined



TE Part #640901-1  
05P UMNL SOK HDR ASSY 94VO



TE Part #1-1617749-8  
FCA-210-1022M=M83536/10-022M



TE Part #1410326-3  
MULTIGIG RT T2 7RW DC DF CT



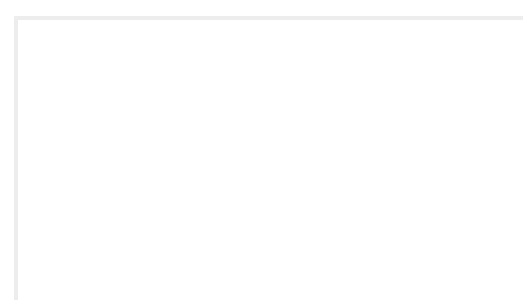
TE Part #5-1375582-9  
10 MTE VERTICAL SMT HDR 15 AU



TE Part #1-1827875-2  
DYNAMIC 1200D HDR ASSY V 4P X  
BLACK GOLD



TE Part #770024-1  
02P UMNLII IN-LINE CAP HSG KIT



TE Part #2-1589470-1  
SSM051M51CN

## Documents

### Product Drawings

[STL009L2CN = STM Conn](#)

English

### CAD Files

[3D PDF](#)

[3D](#)

[Customer View Model](#)

[ENG\\_CVM\\_CVM\\_1-1589951-5\\_A.2d\\_dxf.zip](#)



English

**Customer View Model**

[ENG\\_CVM\\_CVM\\_1-1589951-5\\_A.3d\\_igs.zip](#)

English

**Customer View Model**

[ENG\\_CVM\\_CVM\\_1-1589951-5\\_A.3d\\_stp.zip](#)

English

By downloading the CAD file I accept and agree to the [Terms and Conditions](#) of use.

**Datasheets & Catalog Pages**

[1589483 Nanonics Cross Reference](#)

English