



**Nanonics**

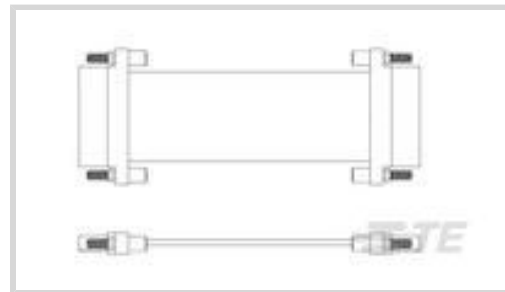
TE Internal #: 1-1589797-2

Plug, Wire-to-Board, 37 Position, .64 mm [.025 in] Centerline, Wire & Cable, Signal, Microminiature & Nanominiature D Connectors

[View on TE.com >](#)

Connectors > D-Shaped Connectors > Microminiature & Nanominiature D Connectors >

NANONICS DUALOBE Connectors: Jumper Assembly, 1 Row



Connector & Housing Type: **Plug**

Connector System: **Wire-to-Board**

Number of Positions: **37**

Mounting Hardware: **No Hardware**

Centerline (Pitch): **.64 mm [.025 in]**

[All NANONICS DUALOBE Connectors: Jumper Assembly, 1 Row \(11\)](#)

**Features**

**Contact Features**

Contact Options	Installed
Contact Current Rating (Max)	1 A

**Housing Features**

Housing Material	Aluminum
Centerline (Pitch)	.64 mm [.025 in]

**Product Type Features**

Compatible With Discrete Wire Type	Stranded
Connector & Housing Type	Plug
Connector System	Wire-to-Board
Connector & Contact Terminates To	Wire & Cable

**Configuration Features**

Number of Positions	37
---------------------	----

**Termination Features**

Termination Method to Wire & Cable	Preterminated Flying Leads
------------------------------------	----------------------------

**Mechanical Attachment**

Mounting Hardware	No Hardware
-------------------	-------------



Connector Mounting Type

Cable Mount (Free-Hanging)

### Usage Conditions

Operating Temperature Range

-200 – 200 °C[-328 – 392 °F]

### Operation/Application

Circuit Application

Signal

### Other

EU RoHS Compliance

Compliant

EU ELV Compliance

Compliant

## Product Compliance

For compliance documentation, visit the product page on [TE.com](https://www.te.com)>

EU RoHS Directive 2011/65/EU

Compliant

EU ELV Directive 2000/53/EC

Compliant

China RoHS 2 Directive MIIT Order No 32, 2016

No Restricted Materials Above Threshold

EU REACH Regulation (EC) No. 1907/2006

Current ECHA Candidate List: JUNE 2024 (241)  
 Candidate List Declared Against: JUNE 2023 (235)  
 Does not contain REACH SVHC

Halogen Content

Low Halogen - Br, Cl, F, I < 900 ppm per homogenous material. Also BFR/CFR/PVC Free

Solder Process Capability

Not reviewed for solder process capability

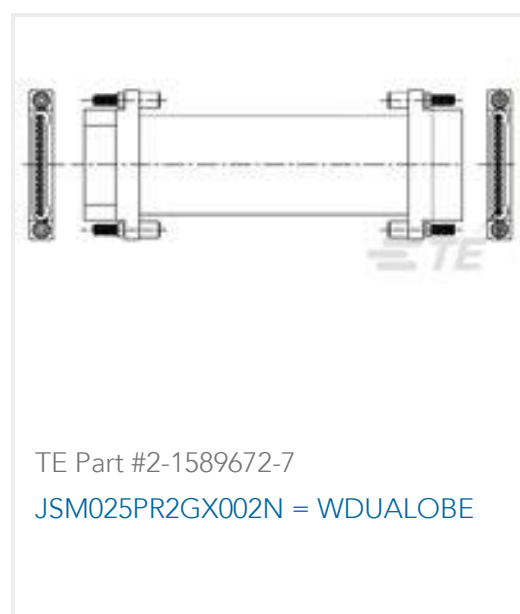
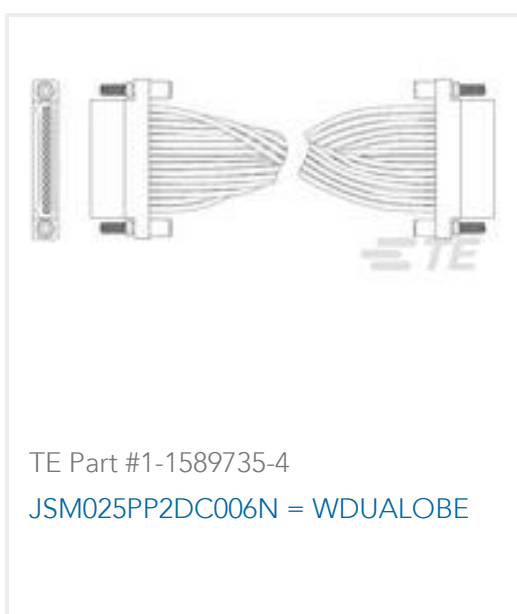
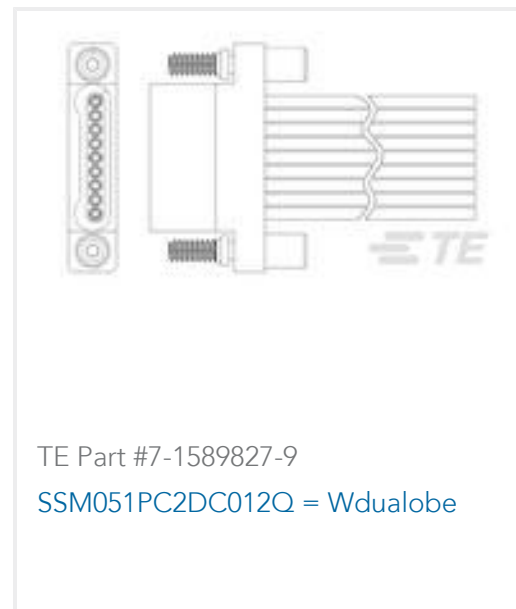
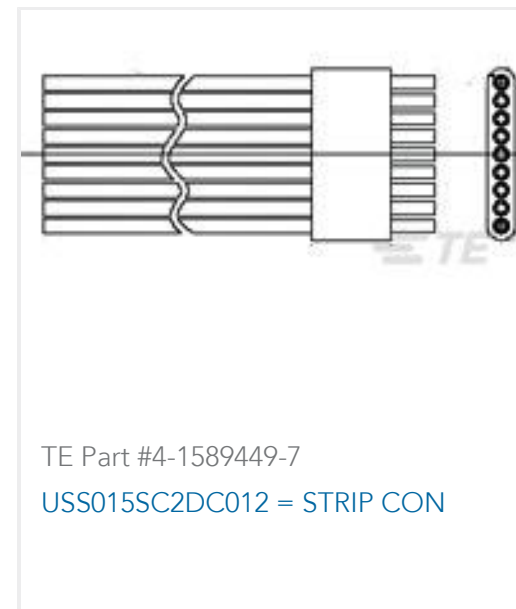
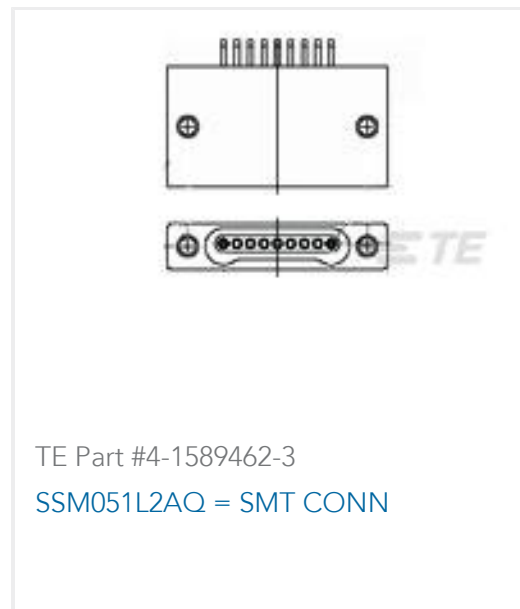
#### Product Compliance Disclaimer

This information is provided based on reasonable inquiry of our suppliers and represents our current actual knowledge based on the information they provided. This information is subject to change. The part numbers that TE has identified as EU RoHS compliant have a maximum concentration of 0.1% by weight in homogenous materials for lead, hexavalent chromium, mercury, PBB, PBDE, DBP, BBP, DEHP, DIBP, and 0.01% for cadmium, or qualify for an exemption to these limits as defined in the Annexes of Directive 2011/65/EU (RoHS2). Finished electrical and electronic equipment products will be CE marked as required by Directive 2011/65/EU. Components may not be CE marked. Additionally, the part numbers that TE has identified as EU ELV compliant have a maximum concentration of 0.1% by weight in homogenous materials for lead, hexavalent chromium, and mercury, and 0.01% for cadmium, or qualify for an exemption to these limits as defined in the Annexes of Directive 2000/53/EC (ELV). Regarding the REACH Regulation, the information TE provides on SVHC in articles for this part number is based on the latest European Chemicals Agency (ECHA) 'Guidance on requirements for substances in articles' posted at this URL: <https://echa.europa.eu/guidance-documents/guidance-on-reach>

## Compatible Parts



### Customers Also Bought



### Documents

#### Product Drawings

[JSM037PD2DCC15Q = Wdualobe](#)

English

#### CAD Files

[3D PDF](#)

[3D](#)

[Customer View Model](#)

[ENG\\_CVM\\_CVM\\_1-1589797-2\\_A.2d\\_dxf.zip](#)



English

**Customer View Model**

[ENG\\_CVM\\_CVM\\_1-1589797-2\\_A.3d\\_igs.zip](#)

English

**Customer View Model**

[ENG\\_CVM\\_CVM\\_1-1589797-2\\_A.3d\\_stp.zip](#)

English

By downloading the CAD file I accept and agree to the [Terms and Conditions](#) of use.

## Datasheets & Catalog Pages

[1589797 Nanonics Cross Reference](#)

English