



Nanonics

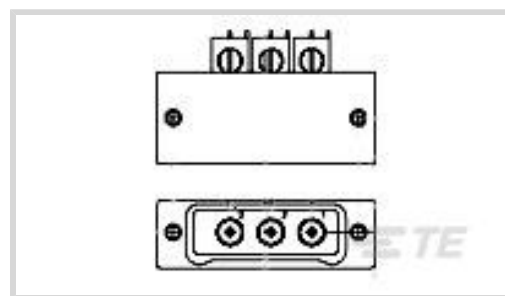
TE Internal #: 1-1589072-2

Nanominiature Connector, Receptacle, 50 ohm, Screw, 60 – 1 GHz,

Wire-to-Board, 2 Position, Printed Circuit Board, Board Mount

[View on TE.com >](#)

Connectors > RF Connectors > Coax Connectors > NANONICS Connectors: Coaxial Cable, Receptacle Assembly



RF Interface: **Nanominiature**

RF Connector Style: **Receptacle**

Impedance: **50 Ω**

Compatible With RF Cable Type: **RG 178**

RF Connector Coupling Mechanism: **Screw**

[All NANONICS Connectors: Coaxial Cable, Receptacle Assembly \(12\)](#)

Features

Termination Features

Termination Method to PCB	Surface Mount
Termination Method to Wire & Cable	Solder

Configuration Features

PCB Mount Orientation	Horizontal
Number of Positions	2
Number of Coaxial Contacts	2

Product Type Features

Connector Product Type	Connector Assembly
RF Interface	Nanominiature
RF Connector Style	Receptacle
Compatible With RF Cable Type	RG 178
Connector System	Wire-to-Board
Connector & Contact Terminates To	Printed Circuit Board

Electrical Characteristics

Impedance	50 Ω
-----------	------

Mechanical Attachment

RF Connector Coupling Mechanism	Screw
---------------------------------	-------



Connector Mounting Type	Board Mount
-------------------------	-------------

RF Contact Captivation Method	Solder
-------------------------------	--------

Operation/Application

Operating Frequency	60 – 1 GHz
---------------------	------------

Body Features

Cable Connector Orientation	Right Angle
-----------------------------	-------------

Body Material	Aluminum
---------------	----------

Body Plating Material	Electroless Nickel
-----------------------	--------------------

Contact Features

RF Connector Center Contact Plating Material	Gold
--	------

Usage Conditions

Operating Temperature Range	-55 – 125 °C[-67 – 257 °F]
-----------------------------	----------------------------

Other

Dielectric Material	PTFE
---------------------	------

EU RoHS Compliance	Compliant
--------------------	-----------

EU ELV Compliance	Compliant
-------------------	-----------

Product Compliance

[For compliance documentation, visit the product page on TE.com>](#)

EU RoHS Directive 2011/65/EU	Compliant
------------------------------	-----------

EU ELV Directive 2000/53/EC	Compliant
-----------------------------	-----------

China RoHS 2 Directive MIIT Order No 32, 2016	No Restricted Materials Above Threshold
---	---

EU REACH Regulation (EC) No. 1907/2006	Current ECHA Candidate List: JUNE 2024 (241) Candidate List Declared Against: JAN 2024 (240) SVHC > Threshold: Pb (40% in Component part)
--	--

Article Safe Usage Statements:

Do not eat, drink or smoke when using this product. Wash thoroughly after handling. Recycle if possible and dispose of the article by following all applicable governmental regulations relevant to your geographic location.

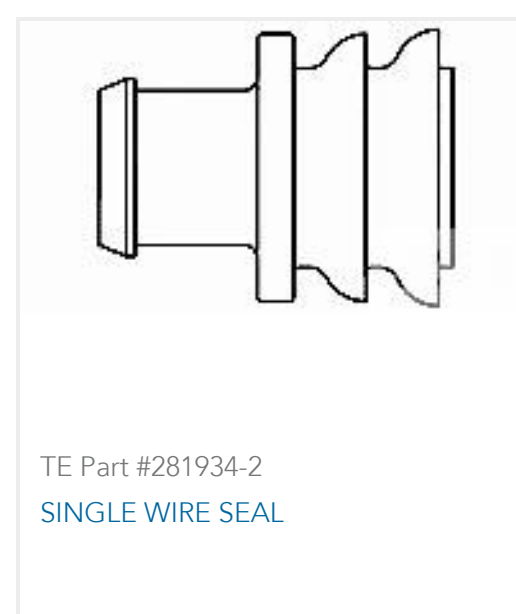
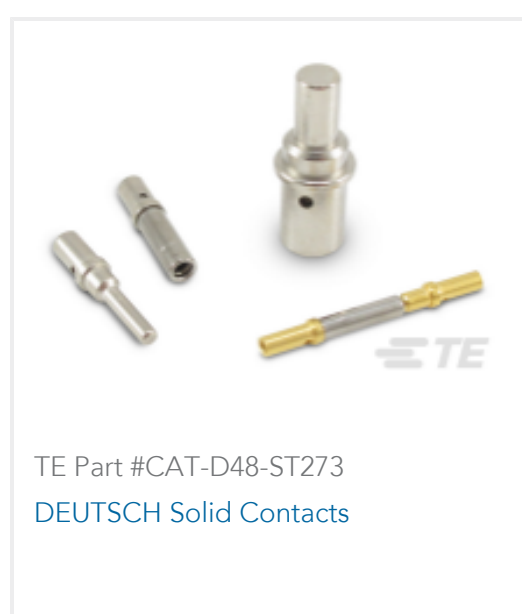
Halogen Content	Low Bromine/Chlorine - Br and Cl < 900 ppm per homogenous material. Also BFR /CFR/PVC Free
-----------------	--

Solder Process Capability	Not lead free process capable
---------------------------	-------------------------------

Product Compliance Disclaimer

This information is provided based on reasonable inquiry of our suppliers and represents our current actual knowledge based on the information they provided. This information is subject to change. The part numbers that TE has identified as EU RoHS compliant have a maximum concentration of 0.1% by weight in homogenous materials for lead, hexavalent chromium, mercury, PBB, PBDE, DBP, BBP, DEHP, DIBP, and 0.01% for cadmium, or qualify for an exemption to these limits as defined in the Annexes of Directive 2011/65/EU (RoHS2). Finished electrical and electronic equipment products will be CE marked as required by Directive 2011/65/EU. Components may not be CE marked. Additionally, the part numbers that TE has identified as EU ELV compliant have a maximum concentration of 0.1% by weight in homogenous materials for lead, hexavalent chromium, and mercury, and 0.01% for cadmium, or qualify for an exemption to these limits as defined in the Annexes of Directive 2000/53/EC (ELV). Regarding the REACH Regulation, the information TE provides on SVHC in articles for this part number is based on the latest European Chemicals Agency (ECHA) 'Guidance on requirements for substances in articles' posted at this URL: <https://echa.europa.eu/guidance-documents/guidance-on-reach>

Customers Also Bought



Documents

Product Drawings

[CX020L2HN = COAX](#)

English

CAD Files

[3D PDF](#)

3D

Customer View Model

[ENG_CVM_CVM_1-1589072-2_H_c-1-1589072-2-h.2d_dxf.zip](#)

English

Customer View Model

[ENG_CVM_CVM_1-1589072-2_H_c-1-1589072-2-h.3d_igs.zip](#)

English

Customer View Model

[ENG_CVM_CVM_1-1589072-2_H_c-1-1589072-2-h.3d_stp.zip](#)

English



By downloading the CAD file I accept and agree to the [Terms and Conditions](#) of use.

Datasheets & Catalog Pages

[1589072 Nanonics Cross Reference](#)

English