



ALCOSWITCH | ALCOSWITCH DIP, ALCOSWITCH DIP GDH

TE Internal #: 1-1571983-0

DIP Switch, Gold Contact Plating, Black, Polyphenylene Sulfide (PPS), Sealed, 8 Switch, -30 – 85 °C [-22 – 185 °F], Recessed Rocker, ALCOSWITCH DIP

[View on TE.com >](#)

Switches > DIP & SIP Switches

Switch Contact Plating Material: **Gold**Case Color: **Black**Case Material: **Polyphenylene Sulfide (PPS)**Sealed Device: **Yes**Number of Switches: **8**

Features

Product Type Features

Leg Style	Gull Wing
Sealed Device	Yes
DIP & SIP Switch Type	DIP
Actuator Style	Recessed Rocker

Configuration Features

Number of Positions	8
Number of Switches	8
Configuration (Pole-Throw)	Single Pole - Single Throw

Electrical Characteristics

Contact Current Rating	.1 A
Operating Voltage	50 VDC

Body Features

Sealing Method	Sealing Tape
Case Color	Black
Case Material	Polyphenylene Sulfide (PPS)

Contact Features

Contact Underplating Material	Nickel
PCB Contact Termination Area Plating Material	Gold



Switch Contact Plating Material	Gold
Contact Base Material	Copper Alloy

Termination Features

Termination Method to PCB	Surface Mount
---------------------------	---------------

Housing Features

Low Profile	Yes
Centerline (Pitch)	1.27 mm[.05 in]

Dimensions

Product Length	11.28 mm[.444 in]
Product Height	2.21 mm[.087 in]

Usage Conditions

Operating Temperature Range	-30 – 85 °C[-22 – 185 °F]
-----------------------------	---------------------------

Industry Standards

UL Flammability Rating	UL 94V-0
------------------------	----------

Packaging Features

Packaging Method	Tube
Packaging Quantity	40

Product Compliance

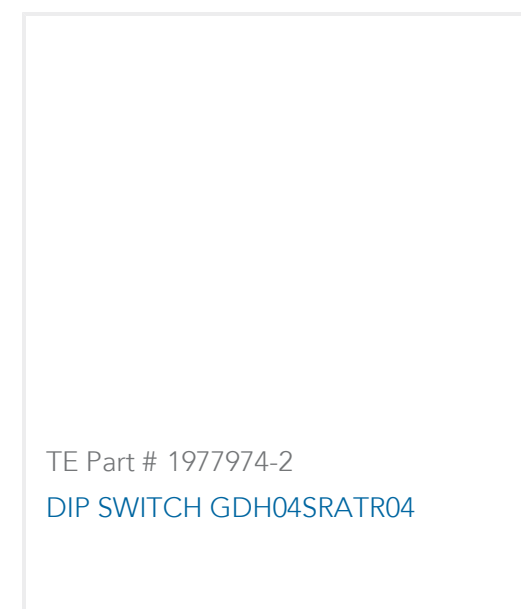
[For compliance documentation, visit the product page on TE.com>](#)

EU RoHS Directive 2011/65/EU	Compliant
EU ELV Directive 2000/53/EC	Compliant
China RoHS 2 Directive MIIT Order No 32, 2016	有害物质含量符合标准要求 No Restricted Substance(s) Above Threshold
EU REACH Regulation (EC) No. 1907/2006	Current ECHA Candidate List: JUNE 2025 (250) Candidate List Declared Against: JUNE 2025 (250) Does not contain REACH SVHC
Halogen Content	Low Halogen - Br, Cl, F < 900 ppm per homogenous material. Also BFR/CFR/PVC Free
Solder Process Capability	Reflow solder capable to 260°C

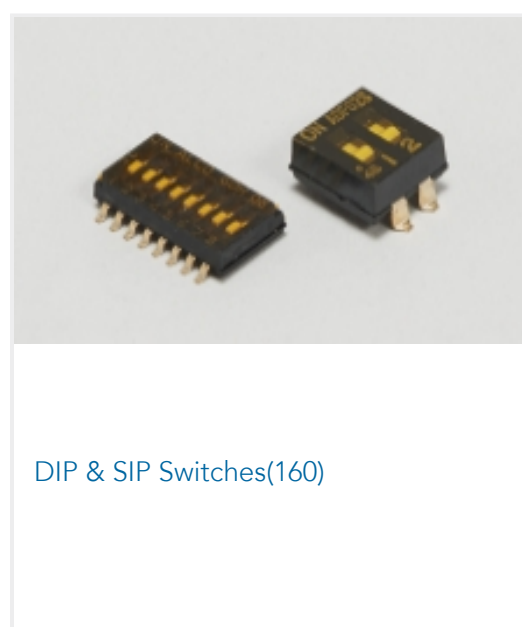
Product Compliance Disclaimer

This information is provided based on reasonable inquiry of our suppliers and represents our current actual knowledge based on the information they provided. This information is subject to change. The part numbers that TE has identified as EU RoHS compliant have a maximum concentration of 0.1% by weight in homogenous materials for lead, hexavalent chromium, mercury, PBB, PBDE, DBP, BBP, DEHP, DIBP, and 0.01% for cadmium, or qualify for an exemption to these limits as defined in the Annexes of Directive 2011/65/EU (RoHS2). Finished electrical and electronic equipment products will be CE marked as required by Directive 2011/65/EU. Components may not be CE marked. Additionally, the part numbers that TE has identified as EU ELV compliant have a maximum concentration of 0.1% by weight in homogenous materials for lead, hexavalent chromium, and mercury, and 0.01% for cadmium, or qualify for an exemption to these limits as defined in the Annexes of Directive 2000/53/EC (ELV). Regarding the REACH Regulation, the information TE provides on SVHC in articles for this part number is based on the latest European Chemicals Agency (ECHA) 'Guidance on requirements for substances in articles' posted at this URL: <https://echa.europa.eu/guidance-documents/guidance-on-reach>

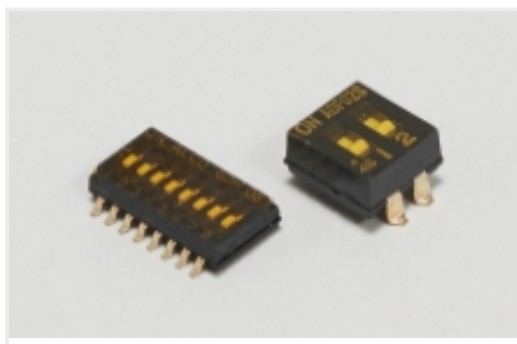
Compatible Parts



Also in the Series | ALCOSWITCH DIP GDH



Also in the Series | ALCOSWITCH DIP

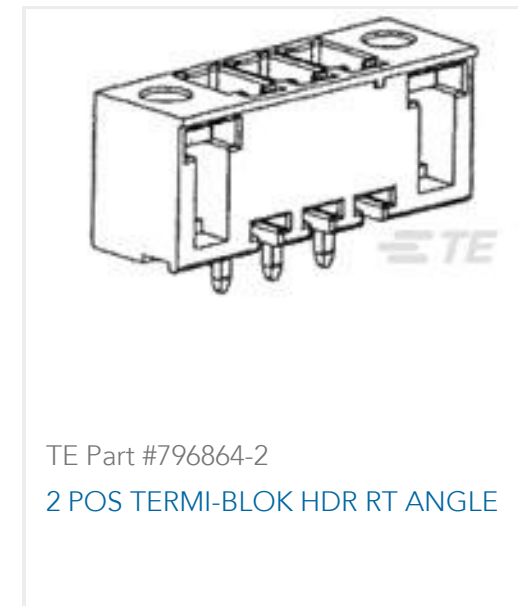


DIP & SIP Switches(160)



Rotary Switches(16)

Customers Also Bought

TE Part #EL8121-000
ZHD-CT-50M-3.2-OUT-4TE Part #484599-E
M8 FEMALE, A CODE, 3P, 16.25MM
SMTTE Part #254154-E
M8 METAL SHELL, FEMALE, VERT,
9MMTE Part #796864-2
2 POS TERMI-BLOK HDR RT ANGLETE Part #3-1614893-3
CPF 0805 27K4 0.1% 25PPM 1K RLTE Part #1825174-3
APA1FGRA04TE Part #6-1879022-5
SMF3 150K 5%TE Part #2176090-8
RP 1J 0.166W 154K 0.1% 25PPM 1K RLTE Part #7-2176397-8
3502 1K6 1%TE Part #4-2213818-8
6X6 ILL TACT THT 260GF HI COLD
WHITE

Documents

CAD Files

3D PDF

English

Customer View Model

[ENG_CVM_1-1571983-0_B.2d_dxf.zip](#)

English

Customer View Model

[ENG_CVM_1-1571983-0_B.3d_igs.zip](#)



English

Customer View Model

[ENG_CVM_1-1571983-0_B.3d_stp.zip](#)

English

Customer View Model

[ENG_CVM_CVM_1-1571983-0_C.3d_igs.zip](#)

English

Customer View Model

[ENG_CVM_CVM_1-1571983-0_C.3d_stp.zip](#)

English

Customer View Model

[ENG_CVM_CVM_1-1571983-0_C.2d_dxf.zip](#)

English

3D PDF

3D

By downloading the CAD file I accept and agree to the [Terms and Conditions](#) of use.

Datasheets & Catalog Pages

[SWITCHES_CORE_PROGRAM_CATALOG](#)

English

[SWITCHES_CATALOG_SECTION_A_DIP_SWITCHES](#)

English

[ALCOSWITCH Sealed Tactile Switches](#)

English