

PRASA1-16L-BB0CW ✓ ACTIVE

Alcoswitch

TE Internal #: 1-1571076-4

High Power Rocker Switch, Panel Mount, 13 x 19.2 mm [.514 x .754 in] Panel Cutout, Silver Contact Plating

[View on TE.com >](#)



Switches > Rocker Switches



Switch Type: **High Power Rocker Switch**

Product Mount Type: **Panel Mount**

Indicator/Imprint Legend: **O I**

Panel Cutout Size: **13 x 19.2 mm [.514 x .754 in]**

Switch Contact Plating Material: **Silver**

Features

Industry Standards

| | |
|---|-----------|
| Compatible With Agency/Standards Products | VDE |
| Compatible With Approved Standards Products | UL E46765 |

Housing Features

| | |
|----------------|----|
| Process Sealed | No |
|----------------|----|

Body Features

| | |
|---------------------|----------|
| Product Orientation | Vertical |
| Actuator Color | Black |

Contact Features

| | |
|---------------------------------|-----------------|
| Terminal Tab Width | 1.5 mm[.059 in] |
| Switch Contact Plating Material | Silver |

Product Type Features

| | |
|----------------|--------------------------|
| Switch Type | High Power Rocker Switch |
| Actuator Type | Top |
| Actuator Style | Rocker |



Switch Connection Type

Solder Lugs

Mechanical Attachment

Product Mount Type

Panel Mount

Configuration Features

Indicator/Imprint Legend

O I

Panel Cutout Size

13 x 19.2 mm [.514 x .754 in]

Configuration (Pole-Throw)

Single Pole - Single Throw

Operating Function

On Off

Electrical Characteristics

Contact Current Rating

16 A

Operating Voltage Range

125 VAC

Other

EU RoHS Compliance

Compliant

EU ELV Compliance

Compliant

Product Compliance

[For compliance documentation, visit the product page on TE.com>](#)

EU RoHS Directive 2011/65/EU

Compliant

EU ELV Directive 2000/53/EC

Compliant

China RoHS 2 Directive MIIT Order No 32, 2016

No Restricted Materials Above Threshold

EU REACH Regulation (EC) No. 1907/2006

Current ECHA Candidate List: JUNE 2024 (241)
Candidate List Declared Against: JUNE 2024 (241)
Does not contain REACH SVHC

Halogen Content

Low Halogen - Br, Cl, F, I < 900 ppm per homogenous material. Also BFR/CFR/PVC Free

Solder Process Capability

Pin-in-Paste capable to 260°C

Product Compliance Disclaimer

This information is provided based on reasonable inquiry of our suppliers and represents our current actual knowledge based on the information they provided. This information is subject to change. The part numbers that TE has identified as EU RoHS compliant have a maximum concentration of 0.1% by weight in homogenous materials for lead, hexavalent chromium, mercury, PBB, PBDE, DBP, BBP, DEHP, DIBP, and 0.01% for cadmium, or qualify for an exemption to these limits as defined in the Annexes of Directive 2011/65/EU (RoHS2). Finished electrical and electronic equipment products will be CE marked as required by Directive 2011/65/EU. Components may not be CE marked. Additionally, the part numbers that TE has identified as EU ELV compliant have a maximum concentration of 0.1% by weight in homogenous materials for lead, hexavalent chromium, and mercury, and 0.01% for cadmium, or qualify for an exemption to these limits

as defined in the Annexes of Directive 2000/53/EC (ELV). Regarding the REACH Regulation, the information TE provides on SVHC in articles for this part number is based on the latest European Chemicals Agency (ECHA) 'Guidance on requirements for substances in articles' posted at this URL: <https://echa.europa.eu/guidance-documents/guidance-on-reach>

Compatible Parts



TE Part # 1-1571079-4
PRASD4-16F-BB0FW=POWER
ROCKER



TE Part # 1-1571079-6
PRASD5-16F-BB0KW=POWER
ROCKER



TE Part # 1571079-4
PRASD1-16F-BB000=POWER ROCKER



TE Part # 1571083-2
PRASC1-16F-BBR00=POWER ROCKER



TE Part # 1571078-4
PRASB2-16F-BBR00=POWER ROCKER



TE Part # 1571079-9
PRASD3-16F-BB0GW=POWER
ROCKER



TE Part # 1-1571076-1
PRASA1-16F-BB0CW=POWER
ROCKER



TE Part # 1571076-9
PRASA1-16F-BB000=POWER ROCKER



TE Part # 1-1571076-2
PRASA1-16L-BB000=POWER ROCKER



TE Part # 1571079-7
PRASD3-16F-BB000=POWER ROCKER

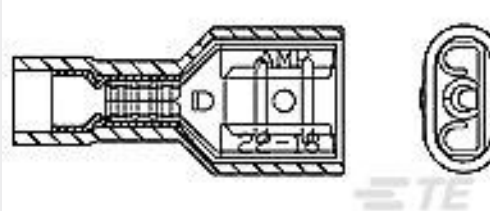


TE Part # 1-1571076-0
PRASA1-16F-BB0BW=POWER
ROCKER

Customers Also Bought




TE Part #926307-1
6P UNIV.M-N-L.CAP



TE Part #735278
EPEZT * STECKHUELSE ISOLIERT 6,3
X 1,0 *



TE Part #350781-1
06P UMNL CAP HSG



TE Part #320568
TERMINAL,PIDG R 12-10 8



TE Part #172169-1
9 CIR UNIV M-N-L PLUG



TE Part #170366-1
MINI UNIVERSAL M-N-L SOCKET LP



TE Part #926681-3
12P UNIV.CAP HSG.



TE Part #172159-1
4 CIR UNIV M-N-L CAP



TE Part #172161-1
9 CIR UNIV M-N-L CAP



TE Part #6-1734857-5
PCI EXP STRADDLE 64P BLK 30u"

Documents

Product Drawings

[PRASA1-16L-BB0CW=POWER ROCKER](#)

English

CAD Files

Customer View Model

[ENG_CVM_CVM_1-1571076-4_N.3d_igs.zip](#)

English

Customer View Model

[ENG_CVM_CVM_1-1571076-4_N.3d_stp.zip](#)

English

Customer View Model

[ENG_CVM_CVM_1-1571076-4_N.2d_dxf.zip](#)

English

3D PDF

3D

By downloading the CAD file I accept and agree to the [Terms and Conditions](#) of use.

Datasheets & Catalog Pages

[SWITCHES_CORE_PROGRAM_CATALOG](#)

English

[1654742_HOUSEHOLD_APPLIANCES_RAST5](#)

English