



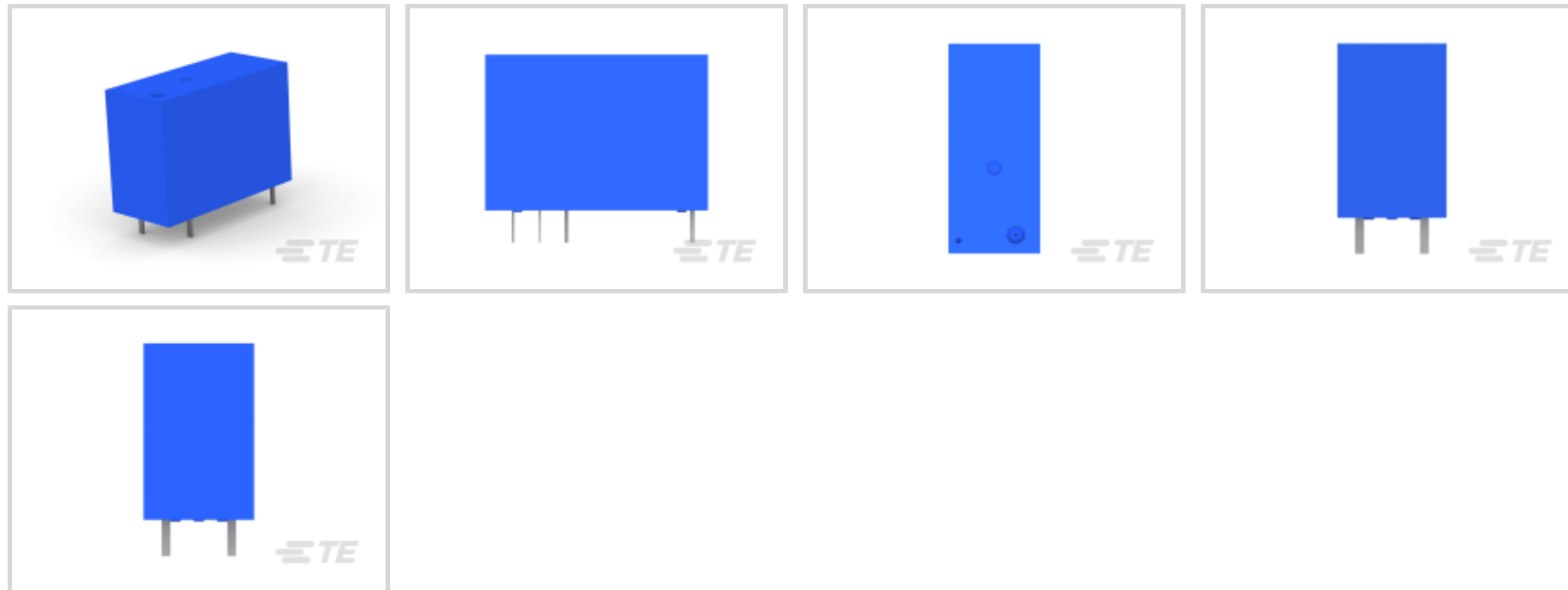
OEG

TE Internal #: 1-1461373-4

TE Internal Description: OMIH-SH-124L,394

STD OEG Miniature PCB OJT Power Relays

[View on TE.com >](#)



All STD OEG Miniature PCB OJT Power Relays (0)

Product Compliance

[For compliance documentation, visit the product page on TE.com>](#)

EU RoHS Directive 2011/65/EU	Compliant with Exemptions
EU ELV Directive 2000/53/EC	Compliant
China RoHS 2 Directive MIIT Order No 32, 2016	Restricted Materials Above Threshold
EU REACH Regulation (EC) No. 1907/2006	Current ECHA Candidate List: JUNE 2024 (241) Candidate List Declared Against: JAN 2020 (205) Does not contain REACH SVHC
Halogen Content	Not Low Halogen - contains Br or Cl > 900 ppm.
Solder Process Capability	Wave solder capable to 265°C


Product Compliance Disclaimer

This information is provided based on reasonable inquiry of our suppliers and represents our current actual knowledge based on the information they provided. This information is subject to change. The part numbers that TE has identified as EU RoHS compliant have a maximum concentration of 0.1% by weight in homogenous materials for lead, hexavalent chromium, mercury, PBB, PBDE, DBP, BBP, DEHP, DIBP, and 0.01% for cadmium, or qualify for an exemption to these limits as defined in the Annexes of Directive 2011/65/EU (RoHS2). Finished electrical and electronic equipment products will be CE marked as required by Directive 2011/65/EU. Components may not be CE marked. Additionally, the part numbers that TE has identified as EU ELV compliant have a maximum concentration of 0.1% by weight in homogenous materials for lead, hexavalent chromium, and mercury, and 0.01% for cadmium, or qualify for an exemption to these limits as defined in the Annexes of Directive 2000/53/EC (ELV). Regarding the REACH Regulation, the information TE provides on SVHC in articles for this part number is based on the latest European Chemicals Agency (ECHA) 'Guidance on requirements for substances in articles' posted at this URL: <https://echa.europa.eu/guidance-documents/guidance-on-reach>


Compatible Parts



TE Part # 1721535-8
OMIH-SS-124L1,300



TE Part # 1721535-5
OMIH-SS-112L1,300



TE Part # 1721535-2
OMIH-SS-105L1,300



TE Part # CAT-OE4-OM5
STD OEG Miniature PCB OJT Power Relays

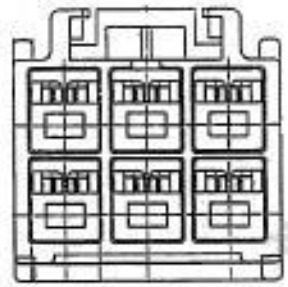
Customers Also Bought



TE Part #2069524-2
DYNAMIC FRAME CABLE X key



TE Part #1-1649328-3
RT314012



TE Part #176285-1
AMP UNIVERSAL POWER CAP 6P



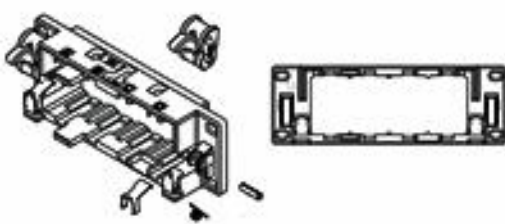
TE Part #2069524-3
DYNAMIC FRAME CABLE Y key



TE Part #1-1415012-1
V23047-A1110-A501



TE Part #175151-1
AMP UNIVERSAL POWER REC CONT.



TE Part #2069526-1
DYNAMIC FRAME PANEL W key



TE Part #1461247-3
OJ-SH-124LMH,000



TE Part #6-1419122-2
OMI-SS-124LM,000



TE Part #8-1419121-8
OMIH-SS-124LM,000

Documents

Product Drawings

[OMIH-SH-124L,394](#)

English

CAD Files

[3D PDF](#)

[3D](#)



Customer View Model

[ENG_CVM_CVM_1-1461373-4_C4.2d_dxf.zip](#)

English

Customer View Model

[ENG_CVM_CVM_1-1461373-4_C4.3d_igs.zip](#)

English

Customer View Model

[ENG_CVM_CVM_1-1461373-4_C4.3d_stp.zip](#)

English

By downloading the CAD file I accept and agree to the [Terms and Conditions](#) of use.

Product Specifications

[OMIH-SH-124L,030 300 330 394 Spec Sheet](#)

Japanese

[Definitions General Purpose Relays](#)

English