

1-1437719-4 ✓ ACTIVE

Triad 01 Crimp, Triad 01 Cable Plug

TE Internal #: 1-1437719-4

5 Position Circular Connector, Cable-to-Cable, Sealable, Wire & Cable, Signal, Cable Mount (Free-Hanging), Reverse Gender, Gold, Triad 01 Cable Plug

[View on TE.com >](#)



Connectors > Circular Connectors > Standard Circular Connectors



Number of Positions: 5

Connector System: **Cable-to-Cable**

Sealable: **Yes**

Connector & Contact Terminates To: **Wire & Cable**

Circuit Application: **Signal**

### Features

#### Electrical Characteristics

Operating Voltage	60 VAC
-------------------	--------

#### Industry Standards

UL Flammability Rating	UL 94V-2
------------------------	----------

#### Termination Features

Termination Method to Wire & Cable	Crimp
------------------------------------	-------

#### Packaging Features

Packaging Quantity	100
--------------------	-----

#### Dimensions

Assembly Length	38 mm
-----------------	-------

Wire Size	26 – 22 AWG
-----------	-------------

#### Body Features

Environmental Protection Type	Sealed
-------------------------------	--------

Environmental Protection	IP65
--------------------------	------

Shell Plating Material	Gold
------------------------	------

#### Operation/Application

Durability Rating	500 Cycles
-------------------	------------

Circuit Application	Signal
---------------------	--------



Shielded	No
----------	----

### Product Type Features

Assembly Requirement	Factory Assembled
----------------------	-------------------

Assembly Type	Electrical Connector
---------------	----------------------

Prewired	No
----------	----

Connector Product Type	Connector Assembly
------------------------	--------------------

Connector System	Cable-to-Cable
------------------	----------------

Sealable	Yes
----------	-----

Connector & Contact Terminates To	Wire & Cable
-----------------------------------	--------------

Circular Connector Type	Receptacle
-------------------------	------------

Shell Type	Metal
------------	-------

### Configuration Features

Number of Positions	5
---------------------	---

Number of Power Positions	0
---------------------------	---

Number of Signal Positions	5
----------------------------	---

Contacts Preloaded	Yes
--------------------	-----

### Contact Features

Reverse Gender	Yes
----------------	-----

Contact Layout Arrangement	Circular
----------------------------	----------

Circular Connector Contact Type	Socket
---------------------------------	--------

### Mechanical Attachment

Connector Mounting Type	Cable Mount (Free-Hanging)
-------------------------	----------------------------

Mating Retention	With
------------------	------

### Usage Conditions

Operating Temperature Range	-40 – 80 °C[-40 – 176 °F]
-----------------------------	---------------------------

### Other

EU RoHS Compliance	Compliant with Exemptions
--------------------	---------------------------

EU ELV Compliance	Compliant
-------------------	-----------

### Product Compliance

[For compliance documentation, visit the product page on TE.com>](#)

EU RoHS Directive 2011/65/EU	Compliant with Exemptions
------------------------------	---------------------------



EU ELV Directive 2000/53/EC

Compliant

China RoHS 2 Directive MIIT Order No 32, 2016

Restricted Materials Above Threshold

EU REACH Regulation (EC) No. 1907/2006

Current ECHA Candidate List: JUNE 2024 (241)

Candidate List Declared Against: JUNE 2024 (241)

SVHC > Threshold:

Pb (4% in Component Part)

**Article Safe Usage Statements:**

Do not eat, drink or smoke when using this product. Wash thoroughly after handling. Recycle if possible and dispose of the article by following all applicable governmental regulations relevant to your geographic location.

Halogen Content

Low Halogen - Br, Cl, F, I < 900 ppm per homogenous material. Also BFR/CFR/PVC Free

Solder Process Capability

Hand solderable with lead free solder

**Product Compliance Disclaimer**

This information is provided based on reasonable inquiry of our suppliers and represents our current actual knowledge based on the information they provided. This information is subject to change. The part numbers that TE has identified as EU RoHS compliant have a maximum concentration of 0.1% by weight in homogenous materials for lead, hexavalent chromium, mercury, PBB, PBDE, DBP, BBP, DEHP, DIBP, and 0.01% for cadmium, or qualify for an exemption to these limits as defined in the Annexes of Directive 2011/65/EU (RoHS2). Finished electrical and electronic equipment products will be CE marked as required by Directive 2011/65/EU. Components may not be CE marked. Additionally, the part numbers that TE has identified as EU ELV compliant have a maximum concentration of 0.1% by weight in homogenous materials for lead, hexavalent chromium, and mercury, and 0.01% for cadmium, or qualify for an exemption to these limits as defined in the Annexes of Directive 2000/53/EC (ELV). Regarding the REACH Regulation, the information TE provides on SVHC in articles for this part number is based on the latest European Chemicals Agency (ECHA) 'Guidance on requirements for substances in articles' posted at this URL: <https://echa.europa.eu/guidance-documents/guidance-on-reach>

## Compatible Parts



Also in the Series | [Triad 01 Crimp](#)



Connector Contacts(4)



Standard Circular Connectors(14)

### Also in the Series | [Triad 01 Cable Plug](#)



Standard Circular Connectors(14)

### Customers Also Bought



TE Part #2151855-1  
OCEAN\_2.0\_Applicator-S-080F145O-RSM



TE Part #2063532-1  
SDE MCP2.8K 2.2-3.0mm2 ASSY



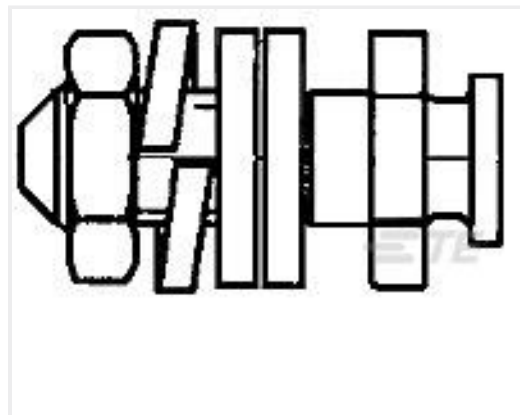
TE Part #172520-8  
8P 2.5MM MINI AMP-IN HDR HSG



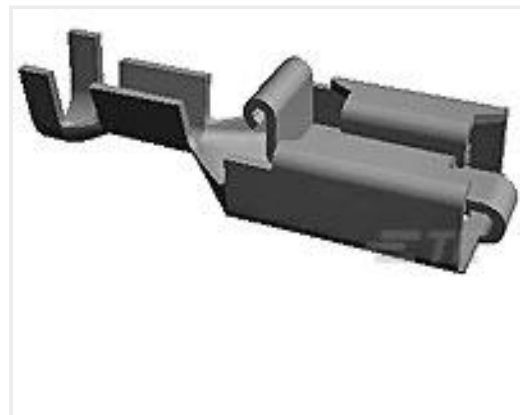
TE Part #7-1437719-2  
T01-0570-S05-FEMALE REC PANEL-PCB STRT



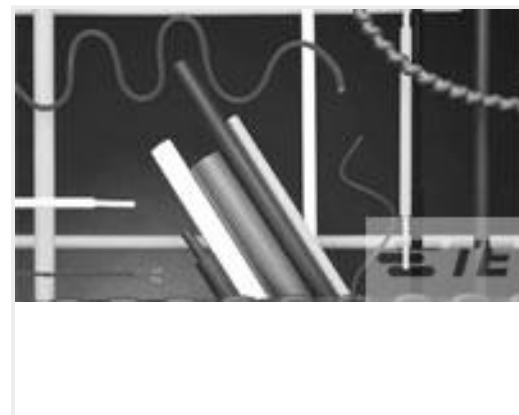
TE Part #926475-8  
MOD 4 HSG



TE Part #5206514-6  
SLIDING LOCK POST KIT



TE Part #790319-5  
PL RECEPTACLE 3.3-6 MM2 TPPHBZ



TE Part #3913464001  
CGPT-25.4/12.7-2-FSP



TE Part #2-1437719-7  
T01-0550-P08-MALE PLUG CONNECTOR SOLDER



TE Part #3-2198617-7  
Ni Plated Plastic Backshell, 37 Way, Str



## Documents

### Product Drawings

[T01-0540-S05-FEMALE PLUG CONNECTOR-CRIMP](#)

English

[T01-0540-S05-FEMALE PLUG CONNECTOR-CRIMP](#)

English

---

### CAD Files

Customer View Model

[ENG\\_CVM\\_1-1437719-4\\_A1.3d\\_igs.zip](#)

English

Customer View Model

[ENG\\_CVM\\_1-1437719-4\\_A1.3d\\_stp.zip](#)

English

Customer View Model

[ENG\\_CVM\\_1-1437719-4\\_A1.2d\\_dxf.zip](#)

English

### 3D PDF

English

Customer View Model

[ENG\\_CVM\\_CVM\\_1-1437719-4\\_A1.3d\\_igs.zip](#)

English

Customer View Model

[ENG\\_CVM\\_CVM\\_1-1437719-4\\_A1.3d\\_stp.zip](#)

English

Customer View Model

[ENG\\_CVM\\_CVM\\_1-1437719-4\\_A1.2d\\_dxf.zip](#)

English

### 3D PDF

3D

By downloading the CAD file I accept and agree to the [Terms and Conditions](#) of use.

---

### Datasheets & Catalog Pages

[M8 / M12 Connector System Catalog](#)

English

---

### Product Specifications

[Product Specification](#)

English