



Connectors > Terminal Blocks & Strips > Barrier Strips



Number of Positions: 7

Barrier Strip Style: **Tri-Barrier**

Bottom Termination Type: **Printed Circuit Pin**

Connector System: **Wire-to-Board**

Centerline (Pitch): 11.1 mm [.438 in]

## Features

### Industry Standards

UL Flammability Rating	UL 94V-0
------------------------	----------

### Packaging Features

Packaging Method	Package
Packaging Quantity	85

### Operation/Application

Circuit Application	Power
---------------------	-------

### Mechanical Attachment

Top Termination Type	Wire Clamp Combo Head
Mounting Options	None
Screw Plating Material	Zinc
Screw Material	Steel
Thread Size	8-32
Screw Head Type	Wire Clamp Combo Head
Connector Mounting Type	Board Mount



### Contact Features

Contact Base Material	Copper Alloy
PCB Contact Termination Area Plating Material	Tin
Contact Current Rating (Max)	30 A

### Dimensions

Product Length	79.63 mm[3.135 in]
Wire Size	18 – 10 AWG, 22 – 10 AWG

### Housing Features

Housing Material	Thermoplastic
Centerline (Pitch)	11.1 mm[.438 in]

### Product Type Features

Block Style	Flat Bottom with standoffs
Connector System	Wire-to-Board
Connector & Contact Terminates To	Printed Circuit Board

### Body Features

Primary Product Color	Black
Product Orientation	Vertical
Barrier Strip Style	Tri-Barrier

### Configuration Features

Number of Levels	1
Number of Positions	7
Number of Rows	1

### Termination Features

Bottom Termination Type	Printed Circuit Pin
-------------------------	---------------------

### Electrical Characteristics

Operating Voltage	600 V
-------------------	-------

### Usage Conditions

Operating Temperature Range	-40 – 120 °C[-40 – 248 °F]
-----------------------------	----------------------------

### Other

EU RoHS Compliance	Compliant
EU ELV Compliance	Compliant



## Product Compliance

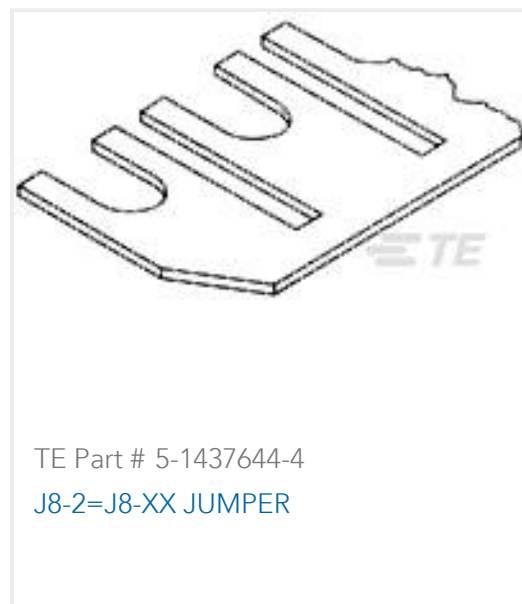
[For compliance documentation, visit the product page on TE.com>](#)

EU RoHS Directive 2011/65/EU	Compliant
EU ELV Directive 2000/53/EC	Compliant
China RoHS 2 Directive MIIT Order No 32, 2016	No Restricted Materials Above Threshold
EU REACH Regulation (EC) No. 1907/2006	Current ECHA Candidate List: JUNE 2024 (241) Candidate List Declared Against: JUNE 2024 (241) Does not contain REACH SVHC
Halogen Content	Not Low Halogen - contains Br or Cl > 900 ppm.
Solder Process Capability	Wave solder capable to 265°C

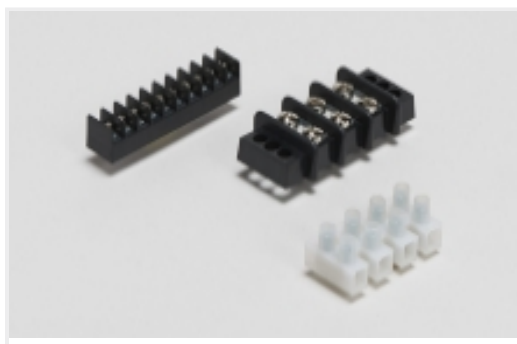
### Product Compliance Disclaimer

This information is provided based on reasonable inquiry of our suppliers and represents our current actual knowledge based on the information they provided. This information is subject to change. The part numbers that TE has identified as EU RoHS compliant have a maximum concentration of 0.1% by weight in homogenous materials for lead, hexavalent chromium, mercury, PBB, PBDE, DBP, BBP, DEHP, DIBP, and 0.01% for cadmium, or qualify for an exemption to these limits as defined in the Annexes of Directive 2011/65/EU (RoHS2). Finished electrical and electronic equipment products will be CE marked as required by Directive 2011/65/EU. Components may not be CE marked. Additionally, the part numbers that TE has identified as EU ELV compliant have a maximum concentration of 0.1% by weight in homogenous materials for lead, hexavalent chromium, and mercury, and 0.01% for cadmium, or qualify for an exemption to these limits as defined in the Annexes of Directive 2000/53/EC (ELV). Regarding the REACH Regulation, the information TE provides on SVHC in articles for this part number is based on the latest European Chemicals Agency (ECHA) 'Guidance on requirements for substances in articles' posted at this URL: <https://echa.europa.eu/guidance-documents/guidance-on-reach>

## Compatible Parts

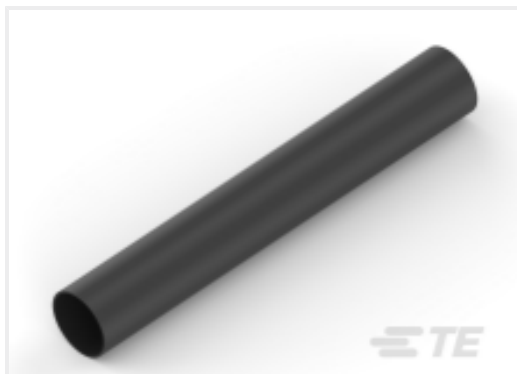
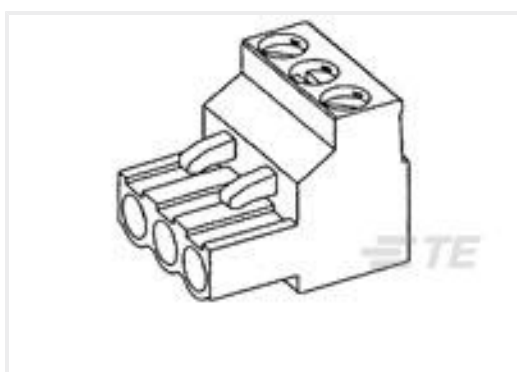


Also in the Series | [Buchanan 8 Series](#)



Barrier Strips(61)

## Customers Also Bought

TE Part #NB14902001  
DWP-125-3/16-0-STKTE Part #DT04-4P-E004  
REC, 4P, BLK, NTE Part #1-1241370-3  
6POS MQS REC COD ATE Part #6-440054-2  
HPI 2.0MM,HDR,2POSVERTICAL,BLKTE Part #5-1393211-7  
T92P7A22-120TE Part #3-1393789-7  
V23079A2003B301TE Part #3-640441-2  
02P MTA100 CONN ASSY WHTTE Part #NB11802001  
ATUM-8/2-0-STKTE Part #796634-2  
2 POS 5.08MM R/A PLUG,TRM BLKTE Part #1060-16-0122  
PIN, SF, SIZE 16, 14-18, NI/SN

## Documents

### CAD Files

#### Customer View Model

[ENG\\_CVM\\_CVM\\_1-1437658-1\\_R.2d\\_dxf.zip](#)

English

### 3D PDF

3D

#### Customer View Model

[ENG\\_CVM\\_CVM\\_1-1437658-1\\_R.3d\\_igs.zip](#)



English

### Customer View Model

[ENG\\_CVM\\_CVM\\_1-1437658-1\\_R.3d\\_stp.zip](#)

English

By downloading the CAD file I accept and agree to the [Terms and Conditions](#) of use.

### Datasheets & Catalog Pages

[1-1773458-2\\_BARRIER\\_STRIP\\_QUICK\\_REFERENCE\\_GUIDE](#)

English

### Agency Approvals

[UL](#)

English