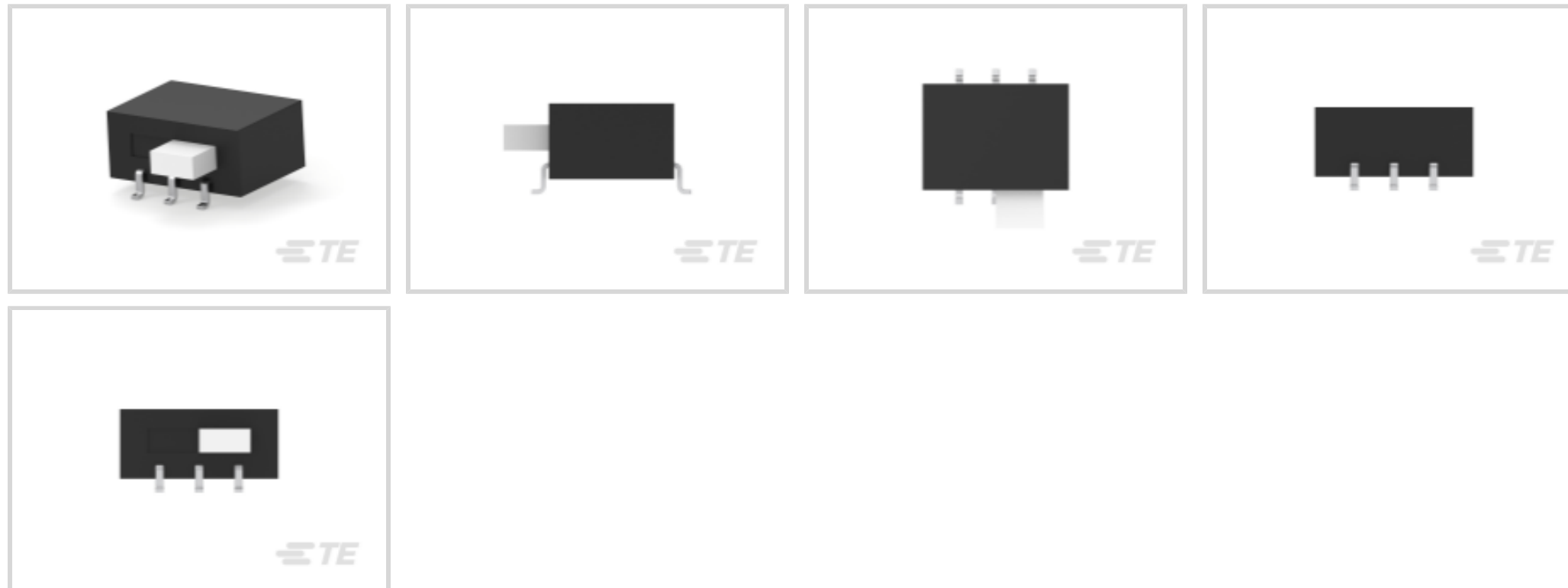




Switches > Slide Switches



Contact Current Rating: .3A

Configuration (Pole-Throw): Double Pole - Double Throw

Contact Base Material: Copper Alloy

Number of Actuators: Single

Number of Positions: 2

Features

Operation/Application

Assembly Process Feature	Auto-Insert Packaging
--------------------------	-----------------------

Industry Standards

UL Flammability Rating	UL 94V-0
------------------------	----------

Packaging Features

Packaging Method	Tube
------------------	------

Dimensions

Product Width	7.37 mm[.29 in]
Product Length	10.16 mm[.4 in]
Actuator Length	2.79 mm[.11 in]

Other

Grade	Telecom
EU RoHS Compliance	Compliant
EU ELV Compliance	Compliant

Body Features

--	--

Actuator Orientation	Side
Actuator Profile	Extended
Actuator Material	Nylon
Actuator Color	White

Electrical Characteristics

Contact Current Rating	.3 A
Operating Voltage	28 VDC

Configuration Features

Configuration (Pole-Throw)	Double Pole - Double Throw
Number of Actuators	Single
Number of Positions	2
Operating Function	On On

Contact Features

Contact Base Material	Copper Alloy
Switch Contact Plating Material	Silver

Termination Features

Termination Method to PCB	Surface Mount
---------------------------	---------------

Product Compliance

[For compliance documentation, visit the product page on TE.com>](#)

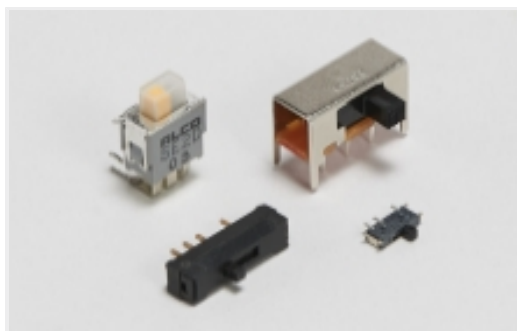
EU RoHS Directive 2011/65/EU	Compliant
EU ELV Directive 2000/53/EC	Compliant
China RoHS 2 Directive MIIT Order No 32, 2016	No Restricted Materials Above Threshold
EU REACH Regulation (EC) No. 1907/2006	Current ECHA Candidate List: JUNE 2024 (241) Candidate List Declared Against: JUL 2019 (201) Does not contain REACH SVHC
Halogen Content	Not Low Halogen - contains Br or Cl > 900 ppm.
Solder Process Capability	Reflow solder capable to 245°C

Product Compliance Disclaimer

This information is provided based on reasonable inquiry of our suppliers and represents our current actual knowledge based on the information they provided. This information is subject to change. The part numbers that TE has identified as EU RoHS compliant have a maximum concentration of 0.1% by weight in homogenous materials for lead, hexavalent

chromium, mercury, PBB, PBDE, DBP, BBP, DEHP, DIBP, and 0.01% for cadmium, or qualify for an exemption to these limits as defined in the Annexes of Directive 2011/65/EU (RoHS2). Finished electrical and electronic equipment products will be CE marked as required by Directive 2011/65/EU. Components may not be CE marked. Additionally, the part numbers that TE has identified as EU ELV compliant have a maximum concentration of 0.1% by weight in homogenous materials for lead, hexavalent chromium, and mercury, and 0.01% for cadmium, or qualify for an exemption to these limits as defined in the Annexes of Directive 2000/53/EC (ELV). Regarding the REACH Regulation, the information TE provides on SVHC in articles for this part number is based on the latest European Chemicals Agency (ECHA) 'Guidance on requirements for substances in articles' posted at this URL: <https://echa.europa.eu/guidance-documents/guidance-on-reach>

Also in the Series | [Alcoswitch ASE/F](#)



Slide Switches(46)

Customers Also Bought



TE Part #DT04-2P
REC, 2P, GRY, N



TE Part #DT06-2S
PLG, 2P, GRY, N



TE Part #CAT-D487-W416
Wedgelocks: DEUTSCH DT



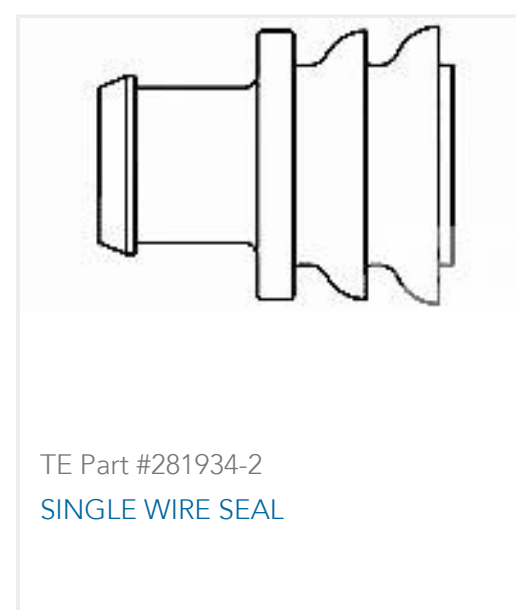
TE Part #CAT-D48-ST273
DEUTSCH Solid Contacts



TE Part #CAT-AM71-CH8172
AMP SUPERSEAL 1.5MM,
CONNECTOR HOUSING



TE Part #114017-ZZ
SEALING PLUG, SIZE 12/16, WHT



TE Part #281934-2
SINGLE WIRE SEAL

Documents

Product Drawings

[ASE22RL=AUTOSLIDE DP](#)

English

CAD Files

Customer View Model

[ENG_CVM_CVM_1-1437581-1_L1.3d_igs.zip](#)



English

Customer View Model

[ENG_CVM_CVM_1-1437581-1_L1.3d_stp.zip](#)

English

Customer View Model

[ENG_CVM_CVM_1-1437581-1_L1.2d_dxf.zip](#)

English

[3D PDF](#)

[3D](#)

By downloading the CAD file I accept and agree to the [Terms and Conditions](#) of use.