

1-1393222-5 ✓ ACTIVE

SCHRACK | SCHRACK Low Power PCB Relays

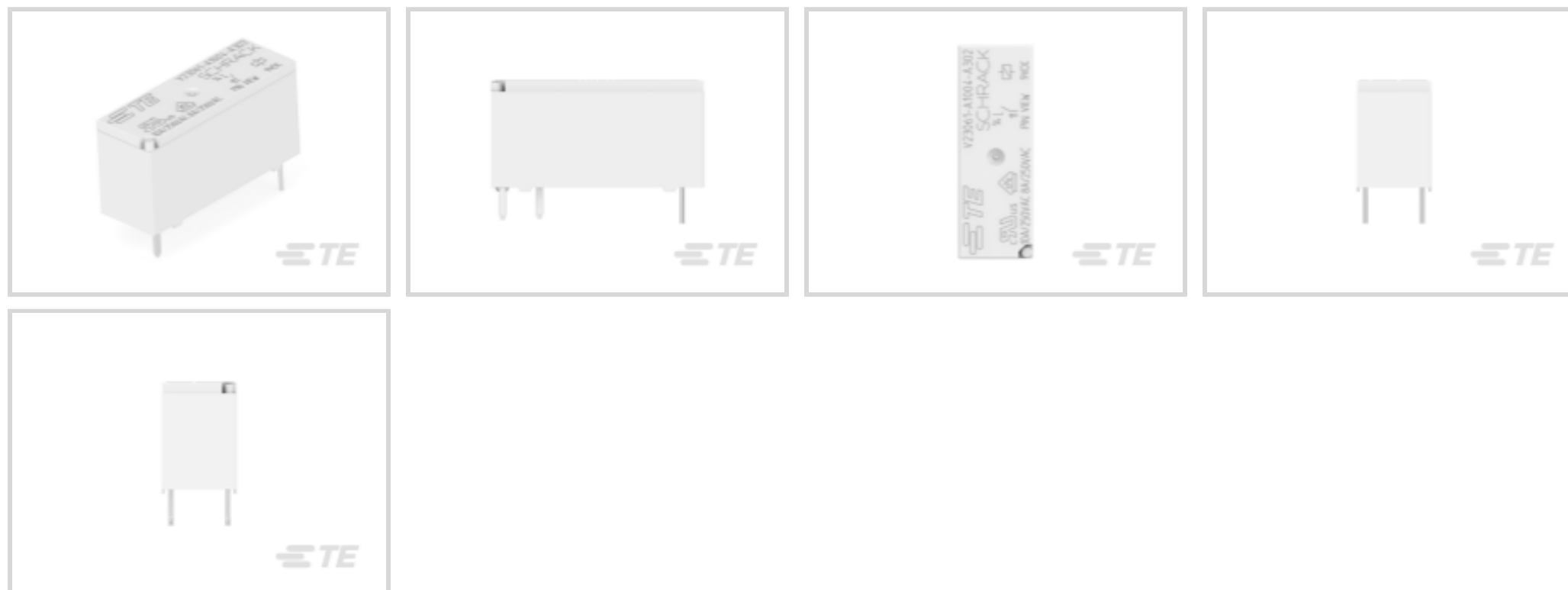
TE Internal #: 1-1393222-5

General Purpose Power Relay, DC, Monostable, 1 Form A SPST-NO, 8 A Contact Rating, 9 VDC Coil Voltage, SCHRACK Low Power PCB Relays

[View on TE.com >](#)



Relays & Contactors > Electromechanical Relays



Relay & Contactor Type: **General Purpose Power Relay**

Current Type: **DC**

Coil Magnetic System: **Monostable**

Contact Arrangement: **1 Form A SPST-NO**

Contact Current Rating: **8 A**

Features

Contact Features

Contact Material	AgSnO2
------------------	--------

Dimensions

Insulation Creepage Between Contact & Coil	8 mm[.315 in]
Product Width	10 mm[.393 in]
Product Length	28.6 mm[1.12 in]
Product Height	15 mm[.59 in]

Packaging Features

Packaging Method	Tube
------------------	------

Other

Coil Power Rating Class	.2 – .3 W
Contact Current Class	16 A
Environmental Ambient Temperature Class	70 – 85 °C
Length Class (Mechanical)	25 – 30 mm
Width Class (Mechanical)	8 – 10 mm



EU RoHS Compliance	Compliant
--------------------	-----------

EU ELV Compliance	Compliant
-------------------	-----------

Usage Conditions

Environmental Category of Protection	RTIII
--------------------------------------	-------

Environmental Ambient Temperature (Max)	85 °C[185 °F]
---	---------------

Body Features

Product Weight	9.2 g[.388 oz]
----------------	----------------

Enclosure Type	Flux Resistant Automatic Soldering & Washable
----------------	---

Electrical Characteristics

Contact Limiting Short-Time Current	8 A
-------------------------------------	-----

Contact Limiting Making Current	10 A
---------------------------------	------

Contact Limiting Continuous Current	8 A
-------------------------------------	-----

Contact Limiting Breaking Current	8 A
-----------------------------------	-----

Contact Switching Voltage (Max)	400 VAC
---------------------------------	---------

Contact Switching Load (Min)	100mA @ 12V
------------------------------	-------------

Coil Resistance	364 Ω
-----------------	-------

Contact Current Rating	8 A
------------------------	-----

Coil Voltage Rating	9 VDC
---------------------	-------

Contact Voltage Rating	250 VAC
------------------------	---------

Coil Power Rating DC	.223 W
----------------------	--------

Insulation Initial Dielectric Between Contacts & Coil	1000 Vrms
---	-----------

Configuration Features

Contact Number of Poles	1
-------------------------	---

Coil Special Features	UL Coil Insulation Class A
-----------------------	----------------------------

Contact Arrangement	1 Form A SPST-NO
---------------------	------------------

Operation/Application

Solder Process	Wave Solder
----------------	-------------

Current Type	DC
--------------	----

Coil Magnetic System	Monostable
----------------------	------------

Product Type Features

Relay & Contactor Type	General Purpose Power Relay
------------------------	-----------------------------



Termination Features

Main Termination & Connection Type	Solder Pins
Coil Termination & Connection Type	Solder Pins

Mechanical Attachment

Product Mount Type	Board Mount
--------------------	-------------

Product Compliance

[For compliance documentation, visit the product page on TE.com>](#)

EU RoHS Directive 2011/65/EU	Compliant
EU ELV Directive 2000/53/EC	Compliant
China RoHS 2 Directive MIIT Order No 32, 2016	No Restricted Materials Above Threshold
EU REACH Regulation (EC) No. 1907/2006	Current ECHA Candidate List: JUNE 2024 (241) Candidate List Declared Against: JUNE 2024 (241) Does not contain REACH SVHC
Halogen Content	Not Low Halogen - contains Br or Cl > 900 ppm.
Solder Process Capability	Wave solder capable to 260°C

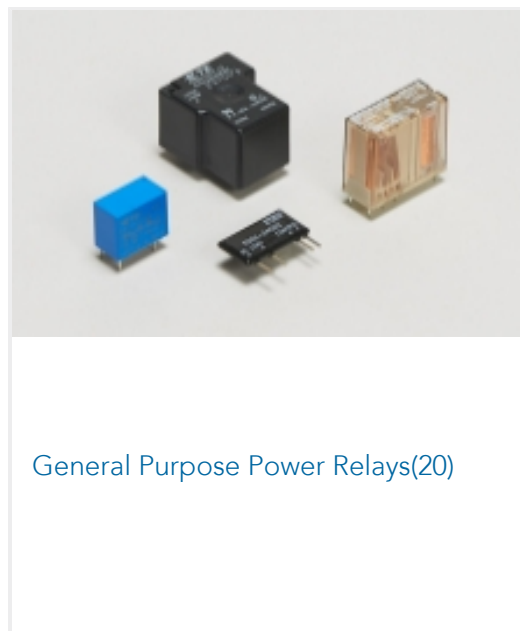
Product Compliance Disclaimer

This information is provided based on reasonable inquiry of our suppliers and represents our current actual knowledge based on the information they provided. This information is subject to change. The part numbers that TE has identified as EU RoHS compliant have a maximum concentration of 0.1% by weight in homogenous materials for lead, hexavalent chromium, mercury, PBB, PBDE, DBP, BBP, DEHP, DIBP, and 0.01% for cadmium, or qualify for an exemption to these limits as defined in the Annexes of Directive 2011/65/EU (RoHS2). Finished electrical and electronic equipment products will be CE marked as required by Directive 2011/65/EU. Components may not be CE marked. Additionally, the part numbers that TE has identified as EU ELV compliant have a maximum concentration of 0.1% by weight in homogenous materials for lead, hexavalent chromium, and mercury, and 0.01% for cadmium, or qualify for an exemption to these limits as defined in the Annexes of Directive 2000/53/EC (ELV). Regarding the REACH Regulation, the information TE provides on SVHC in articles for this part number is based on the latest European Chemicals Agency (ECHA) 'Guidance on requirements for substances in articles' posted at this URL: <https://echa.europa.eu/guidance-documents/guidance-on-reach>

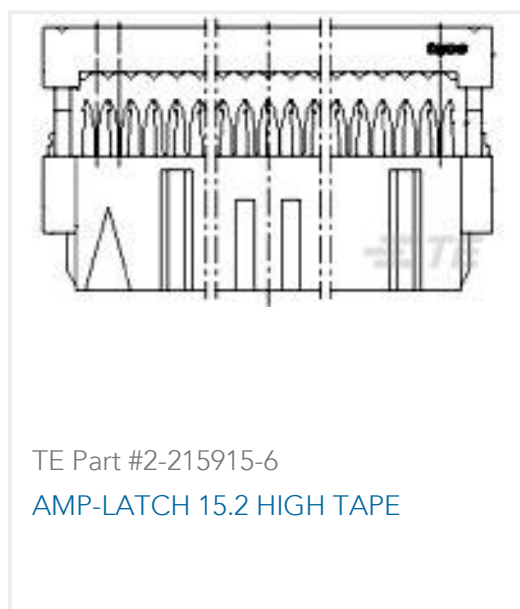
Compatible Parts



Also in the Series | SCHRACK Low Power PCB Relays



Customers Also Bought





Documents

CAD Files

3D PDF

3D

Customer View Model

[ENG_CVM_1-1393222-5_SHK1.3d_igs.zip](#)

English

Customer View Model

[ENG_CVM_1-1393222-5_SHK1.3d_stp.zip](#)

English

Customer View Model

[ENG_CVM_1-1393222-5_SHK1.2d_dxf.zip](#)

English

Customer View Model

[ENG_CVM_CVM_1-1393222-5_A.3d_igs.zip](#)

English

Customer View Model

[ENG_CVM_CVM_1-1393222-5_A.3d_stp.zip](#)

English

Customer View Model

[ENG_CVM_CVM_1-1393222-5_A.2d_dxf.zip](#)

English

3D PDF

3D

By downloading the CAD file I accept and agree to the [Terms and Conditions](#) of use.

Datasheets & Catalog Pages

Miniature Power PCB Relay MSR

English

Product Specifications

Definitions General Purpose Relays

English

Agency Approvals

VDE Certificate

English