



Product Compliance

[For compliance documentation, visit the product page on TE.com>](#)

EU RoHS Directive 2011/65/EU	Compliant with Exemptions
EU ELV Directive 2000/53/EC	Not Yet Reviewed
China RoHS 2 Directive MIIT Order No 32, 2016	未针对中国 RoHS 符合性进行审核 Not reviewed for China RoHS compliance
EU REACH Regulation (EC) No. 1907/2006	Current ECHA Candidate List: JUNE 2025 (250) Candidate List Declared Against: JUNE 2025 (250) SVHC > Threshold: Cadmium oxide (4.57% in 4811234) Article Safe Usage Statements: Use personal protective equipment as required. Do not eat, drink or smoke when using this product. Recycle if possible and dispose of the article by following all applicable governmental regulations relevant to your geographic location.
Halogen Content	Not Low Halogen - contains Br or Cl > 900 ppm.
Solder Process Capability	Wave solder capable to 260°C

Product Compliance Disclaimer

This information is provided based on reasonable inquiry of our suppliers and represents our current actual knowledge based on the information they provided. This information is subject to change. The part numbers that TE has identified as EU RoHS compliant have a maximum concentration of 0.1% by weight in homogenous materials for lead, hexavalent chromium, mercury, PBB, PBDE, DBP, BBP, DEHP, DIBP, and 0.01% for cadmium, or qualify for an exemption to these limits as defined in the Annexes of Directive 2011/65/EU (RoHS2). Finished electrical and electronic equipment products will be CE marked as required by Directive 2011/65/EU. Components may not be CE marked. Additionally, the part numbers that TE has identified as EU ELV compliant have a maximum concentration of 0.1% by weight in homogenous materials for lead, hexavalent chromium, and mercury, and 0.01% for cadmium, or qualify for an exemption to these limits as defined in the Annexes of Directive 2000/53/EC (ELV). Regarding the REACH Regulation, the information TE provides on SVHC in articles for this part number is based on the latest European Chemicals Agency (ECHA) 'Guidance on requirements for substances in articles' posted at this URL: <https://echa.europa.eu/guidance-documents/guidance-on-reach>

Customers Also Bought



TE Part #ZPF000000000000570
020-0511-20



TE Part #87309-9
MOD V RECP PLTD 30 AU



TE Part #1-87499-0
05 MODIV HSG COMP SR .100CL



TE Part #5-102202-3
06 MODII HDR SRST SHRD LF



TE Part #440052-2
2.5MM,HDR,2POS,VERTICAL,
CONNECTOR



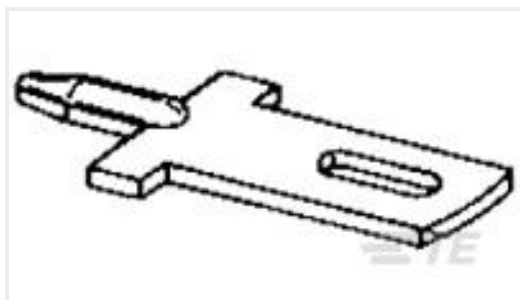
TE Part #640445-7
07P MTA156 HDR ASSY FL/STR SN



TE Part #1-640445-6
16P MTA156 HDR ASSY FL/STR SN



TE Part #641967-1
04P UMNL PIN HDR ASSY POL NATL



TE Part #735427-2
110 FASTON TAB TPBR



TE Part #1-1825027-1
FSMRA4JH04=R/A,TACT PB SW,160G

Documents

CAD Files

3D PDF

3D

Customer View Model

[ENG_CVM_CVM_1-1393212-2_G.2d_dxf.zip](#)

English

Customer View Model

[ENG_CVM_CVM_1-1393212-2_G.3d_igs.zip](#)

English

Customer View Model

[ENG_CVM_CVM_1-1393212-2_G.3d_stp.zip](#)

English

By downloading the CAD file I accept and agree to the [Terms and Conditions](#) of use.

Datasheets & Catalog Pages

[T92 Two-Pole, 30 Amp, PC Board or Panel Mount Relay](#)

English



Product Specifications

Definitions General Purpose Relays

English

Agency Approvals

CQC_CERT_16002142754_C1

English