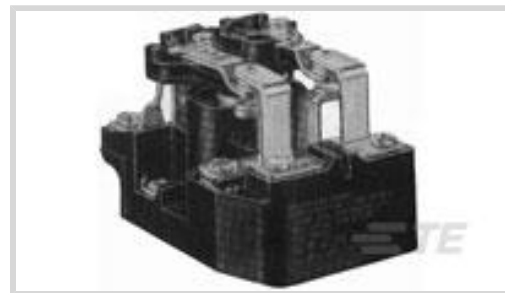




Relays & Contactors > Electromechanical Relays



Relay & Contactor Type: **Definite Purpose Contactor**

Current Type: **DC**

Contact Current Rating: **30 A**

Coil Voltage Rating: **24 VDC**

Main Termination & Connection Type: **8-32 Screw**

Features

Configuration Features

Contact Number of Poles	2
-------------------------	---

Electrical Characteristics

Coil Resistance	288 Ω
Contact Switching Voltage (Max)	600 VAC
Contact Current Rating	30 A
Coil Voltage Rating	24 VDC

Product Type Features

Relay & Contactor Type	Definite Purpose Contactor
------------------------	----------------------------

Operation/Application

Current Type	DC
--------------	----

Termination Features

Main Termination & Connection Type	8-32 Screw
Coil Termination & Connection Type	6-32 Screw

Mechanical Attachment

Product Mount Type	Panel Mount
--------------------	-------------

Other

EU RoHS Compliance	Compliant with Exemptions
EU ELV Compliance	Compliant



Product Compliance

[For compliance documentation, visit the product page on TE.com>](#)

EU RoHS Directive 2011/65/EU	Compliant with Exemptions
EU ELV Directive 2000/53/EC	Compliant
China RoHS 2 Directive MIIT Order No 32, 2016	Restricted Materials Above Threshold
EU REACH Regulation (EC) No. 1907/2006	<p>Current ECHA Candidate List: JUNE 2024 (241)</p> <p>Candidate List Declared Against: JUNE 2022 (224)</p> <p>SVHC > Threshold:</p> <p>Cadmium oxide (7.95% in Component Part)</p> <p>Article Safe Usage Statements: Use personal protective equipment as required. Do not eat, drink or smoke when using this product. Recycle if possible and dispose of the article by following all applicable governmental regulations relevant to your geographic location.</p>
Halogen Content	Low Halogen - Br, Cl, F, I < 900 ppm per homogenous material. Also BFR/CFR/PVC Free
Solder Process Capability	Not applicable for solder process capability

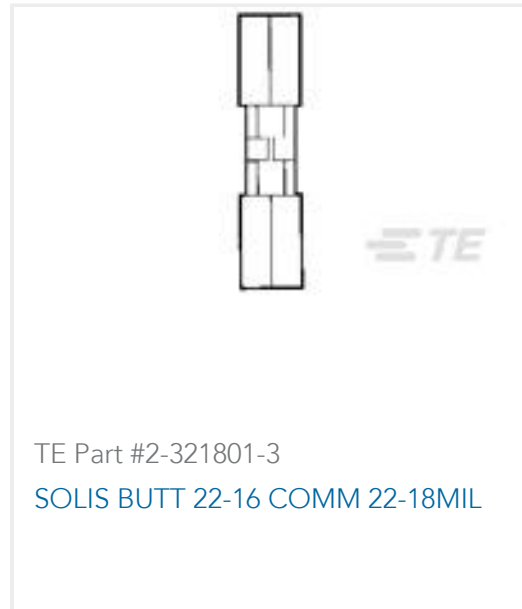
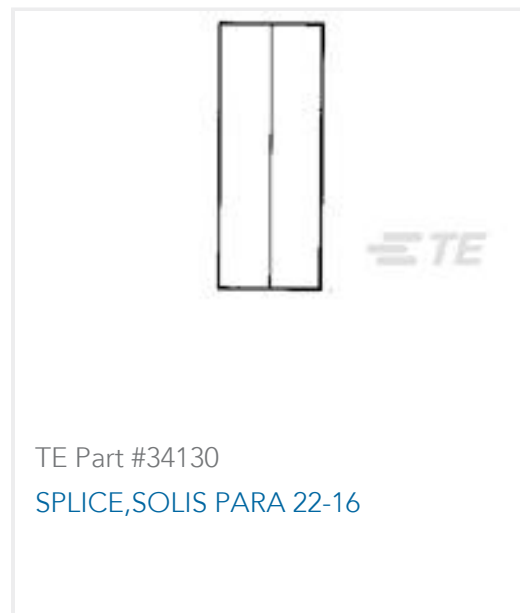
Product Compliance Disclaimer

This information is provided based on reasonable inquiry of our suppliers and represents our current actual knowledge based on the information they provided. This information is subject to change. The part numbers that TE has identified as EU RoHS compliant have a maximum concentration of 0.1% by weight in homogenous materials for lead, hexavalent chromium, mercury, PBB, PBDE, DBP, BBP, DEHP, DIBP, and 0.01% for cadmium, or qualify for an exemption to these limits as defined in the Annexes of Directive 2011/65/EU (RoHS2). Finished electrical and electronic equipment products will be CE marked as required by Directive 2011/65/EU. Components may not be CE marked. Additionally, the part numbers that TE has identified as EU ELV compliant have a maximum concentration of 0.1% by weight in homogenous materials for lead, hexavalent chromium, and mercury, and 0.01% for cadmium, or qualify for an exemption to these limits as defined in the Annexes of Directive 2000/53/EC (ELV). Regarding the REACH Regulation, the information TE provides on SVHC in articles for this part number is based on the latest European Chemicals Agency (ECHA) 'Guidance on requirements for substances in articles' posted at this URL: <https://echa.europa.eu/guidance-documents/guidance-on-reach>

Compatible Parts



Customers Also Bought



Documents

CAD Files

3D PDF

3D

Customer View Model

[ENG_CVM_CVM_1-1393128-3_C.2d_dxf.zip](#)

English

Customer View Model

[ENG_CVM_CVM_1-1393128-3_C.3d_igs.zip](#)

English

Customer View Model

[ENG_CVM_CVM_1-1393128-3_C.3d_stp.zip](#)

English

By downloading the CAD file I accept and agree to the [Terms and Conditions](#) of use.

Datasheets & Catalog Pages

[PRD 10 to 50 Amp Heavy Duty AC or DC Power Relay](#)

English

Product Specifications

[Definitions General Purpose Relays](#)

English

Agency Approvals

[UL](#)

English